



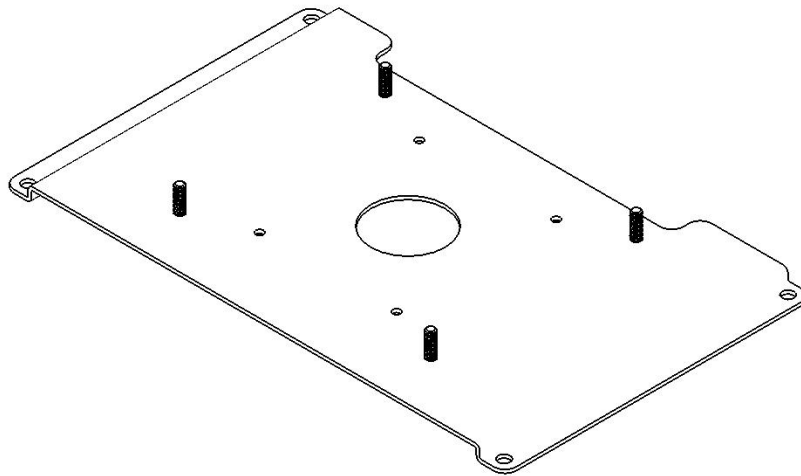
INSTALLATION INSTRUCTIONS

SLB-301 HANGER BRACKET

for Runco DR-300, DR-300c,

Prior to assembly, unpack carton and verify contents.
For security installation, use security hardware package inside the ALL-POINTS™ Security Kit. Follow the instructions below for attaching the bracket to the projector using either standard hardware or security hardware.
If you are missing any of the following components, please contact Customer Service at 1-800-582-6480

- | | | | |
|-----|--------------------|-----|--------------------------------|
| (1) | SLB-301 Bracket | (4) | #10 Flatwashers |
| (4) | 10 - 24 Thumb Nuts | (4) | 10 – 32 x 3/8” Pan Head Screws |



INSTALLATION INSTRUCTIONS

1. Turn projector upside down on a flat surface.
2. Place the SLB-301 bracket onto the bottom of the projector lining up the four mounting holes in the SLB-301 bracket with the four threaded inserts in the bottom of the projector.
3. Using the four 10 – 32 x 3/8” mounting screw, place one screw in each threaded insert and secure all four fasteners at this time. **CAUTION: When attaching the mount be careful not to over tighten mounting screws.**
4. See RPA and/or Smart-Lift™ Instructions.