



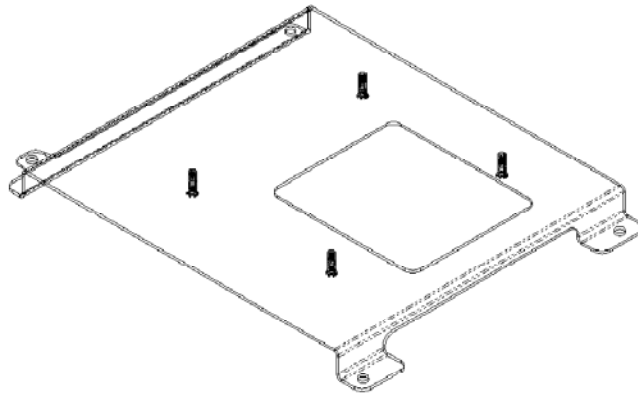
INSTALLATION INSTRUCTIONS SLB-320 HANGER BRACKET

for MONIVISION DP-2360, DP-2370, MEGAPOWER ML-327, ML-328, ML-329, ML-429,
APOLLO VP890

Prior to assembly, unpack carton and verify contents.

If you are missing any of the following components, please contact Customer Service at 1-800/582-6480

- | | | | |
|-----|--------------------|-----|----------------|
| (1) | SLB-320 Bracket | (4) | M5 – 8 x 10mm |
| (4) | 10 - 24 Thumb Nuts | (4) | #5 Flatwashers |



INSTALLATION INSTRUCTIONS

1. Turn projector upside down.
2. Place SLB-320 plate onto bottom of projector. Line up the four (some modes may only have three mounting holes provided) mounting holes in the SLB-320 plate with the threaded inserts and secure using the four M5 – 8 x 10mm mounting screws and #5 Flatwashers. **CAUTION: When attaching the mount be careful not to overtighten.**
3. See RPA and/or Smart-Lift™ Instructions.