



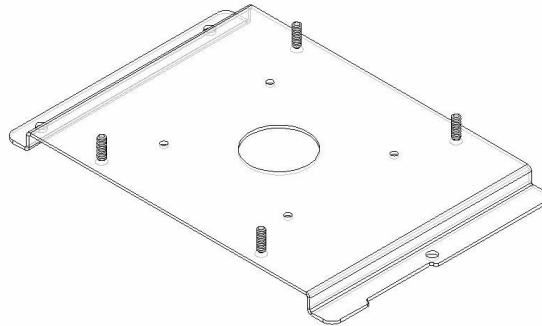
Installation Instructions SLB-425 Hanger Bracket FOR InFOCUS LP420/425/430/435

Prior to assembly, unpack carton and verify contents.

For security installation, use security hardware package inside the ALL-POINTS™ Security Kit. Follow the instructions below for attaching the bracket to the projector using either standard hardware or security hardware.

If you are missing any of the following components, please contact Customer Service at 1-800-582-6480

- | | | | |
|-----|------------------------|-----|-----------------|
| (1) | SLB-425 | (4) | Thumb Nuts |
| (3) | M4 – 10 Machine Screws | (3) | M4 Flat Washers |



Installation Instruction:

1. Turn projector upside down and attach the SLB-425 bracket to the projector using the three M4 – 10 machine screws. When attaching the mount, be careful not to over-tighten the screws.
2. See RPA/Smart-Lift Instruction sheet for installing to mount.

CHIEF MANUFACTURING INC. 1-800-582-6480, Fax: 1-877-894-6918, Email: chief@chiefmfg.com