



INSTALLATION INSTRUCTIONS SLB-4345 HANGER BRACKET

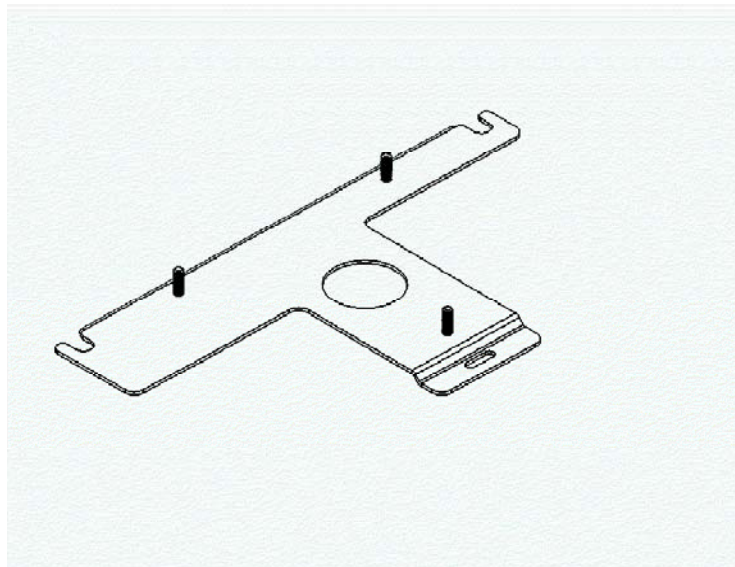
for Phillips cBright, SV1,SV2, XG1, XG2, XG1 Impact, XG2 Impact,
cSmart SV1, LC4331, LC4341, LC4345, LC4431, LC4433, LC4441, LC4445

Prior to assembly, unpack carton and verify contents.

For security installation, use security hardware package inside the ALL-POINTS™ Security Kit. Follow the instructions below for attaching the bracket to the projector using either standard hardware or security hardware.

If you are missing any of the following components, please contact Customer Service at 1-800-582-6480

- | | | | |
|-----|--------------------|-----|-----------------|
| (1) | SLB-4345 Bracket | (1) | M4 -35mm Screws |
| (3) | 10 - 24 Thumb Nuts | (1) | M4 Flatwashers |



INSTALLATION INSTRUCTIONS

1. Turn projector upside down.
2. Adjust both front adjustable feet of the projector so they are to there fully extend position.
3. Place the SLB-4345 bracket onto the bottom of the projector so the two slots in the front of the bracket are facing toward the front of the projector with the rear bends of the bracket bending downward. Push the springs down that are located around the adjustable foot one at a time and just enough to insert the two slots of the bracket around the adjustable feet and between the spring and the feet of the projector.
4. The slotted hole at the rear of the mount should now line up with the hole in the center of the rubber foot located at the rear of the projector.
5. Using the M4 x 35mm screw and M4 flatwashers start the screw into the hole and using a Philips screwdriver tighten screw until snug. **CAUTION: When attaching the mount be careful not to overtighten screw.**
6. See RPA and/or Smart-Lift™ Instructions.