

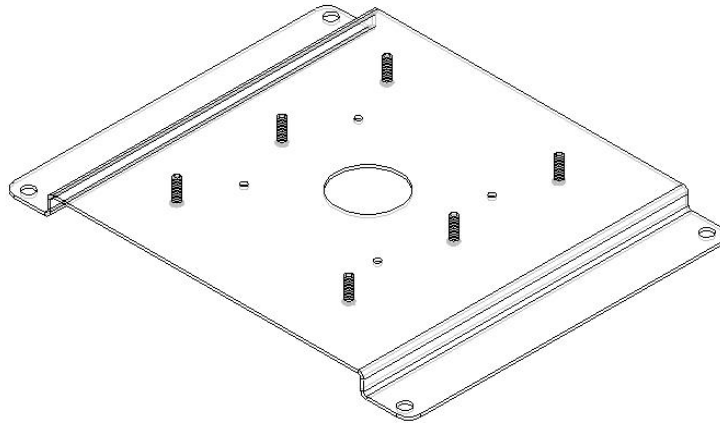


SLB-460 HANGER BRACKET

for DAVIS DL450

Prior to assembly, unpack carton and verify contents.
For security installation, use security hardware package inside the ALL-POINTS™ Security Kit. Follow the instructions below for attaching the bracket to the projector using either standard hardware or security hardware.
If you are missing any of the following components, please contact Customer Service at 1-800-582-6480

- | | | | |
|-----|-----------------|-----|----------------|
| (1) | SLB-460 Bracket | (4) | M6 X 30 Bolts |
| (6) | Thumb Nuts | (4) | M6 Flatwashers |



Installation Instructions

1. Turn projector upside down and attach the SLB-460 bracket to the projector using the (4) M6 X 30 bolts and (4) M6 flatwashers. When attaching the mount, be careful not to overtighten the screws.
2. See RPA/SMART-LIFT™ Instruction sheet for installing to mount.