



## INSTALLATION INSTRUCTIONS

### SLB-470 HANGER BRACKET

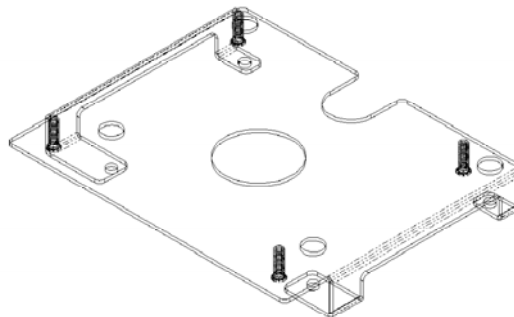
for Proxima LX1, SV1, ASK C1, C5,

Prior to assembly, unpack carton and verify contents.

For security installation, use security hardware package inside the ALL-POINTS™ Security Kit. Follow the instructions below for attaching the bracket to the projector using either standard hardware or security hardware.

If you are missing any of the following components, please contact Customer Service at 1-800-582-6480

- |     |                 |     |                |
|-----|-----------------|-----|----------------|
| (1) | SLB-470 Bracket | (4) | Thumb Nuts     |
| (4) | M4 x 10mm       | (4) | #4 Flatwashers |



### Installation Instructions

1. Turn projector upside down.
2. Raise both front adjustable feet on the front of the projector.
3. Place SLB-470 bracket on the projector so the open slot in the bracket is facing the front of the projector, well lining up the four mounting holes in the bracket with the four mounting inserts in the bottom of the projector.
4. Attach the SLB-bracket using the four M4 x 10mm screws and #4 washers. **CAUTION: When attaching the mount be careful not to overtighten.**
5. Lower and snug the two front adjustable feet against the projector.
6. See RPA/Smart-Lift™ Instructions.