

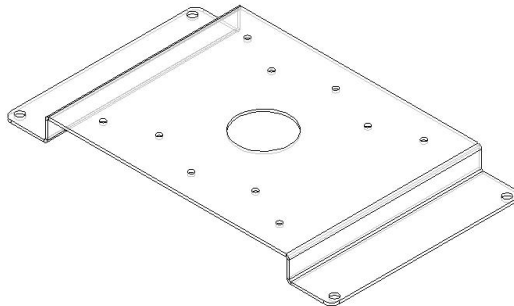


SLB-5000 HANGER BRACKET FOR EPSON ELP-5000

Prior to assembly, unpack carton and verify contents.
Follow the instructions below for attaching the bracket to the
Projector using the hardware provided.

If you are missing any of the following components, please contact Customer Service at
1-800-582-6480

- | | | | |
|-----|-------------------|-----|-----------------|
| (1) | RPA-5000 Plate | (2) | U-Form Rods |
| (4) | 10-24 Nylock Nuts | (4) | #10 Flatwashers |
| (8) | Felt Squares | (6) | Thumb Nuts |



INSTALLATION INSTRUCTIONS

1. Turn projector upside down.
2. Bracket should be centered on projector. Attach the U-Form rods around the projector and up through the holes in the RPA-5000 plate, secure firmly using the #10 flatwashers and 10-24 nylock nuts. **NOTE: Felt squares are provided to protect projector shell, if desired. They can be attached to the projector or wrapped around the U-Form rod.**
3. See RPA/Smart-Lift™ Instructions.