



## INSTALLATION INSTRUCTIONS SLB-501 HANGER BRACKET

for Panasonic PT-L501U, PT-L501XU, PT-L511U, PT-L511XU, PT-L701U,  
PT-L701XU, PT-L701SDU, PT-L711U, PT-L711XU, PT-L711XNTU,

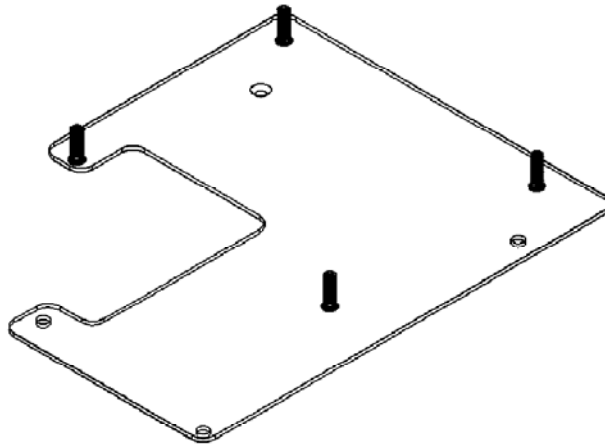
Prior to assembly, unpack carton and verify contents.

For security installation, use security hardware package inside the ALL-POINTS™ Security Kit. Follow the instructions below for attaching the bracket to the projector using either standard hardware or security hardware.

If you are missing any of the following components, please contact Customer Service at 1-800-582-6480

- |     |                              |     |                                    |
|-----|------------------------------|-----|------------------------------------|
| (1) | SLB-501 Bracket              | (3) | M4 -16mm Pan Machine Screws        |
| (4) | 10 - 24 Thumb Nuts           | (3) | M4 Flatwashers                     |
| (1) | M4 – 16mm Flat Machine Screw | (4) | ½” X .218” X ¼” Round Nylon Spacer |

### INSTALLATION INSTRUCTIONS



1. Turn projector upside down.
2. Center one of the four ¼” round nylon spacers over each of the four threaded inserts in the bottom of the projector.
3. Place SLB-501 bracket onto the four ¼” round nylon spacers that were centered over the threaded inserts in the bottom of the projector.
4. Using the three M4 x 16mm Pan screws and M4 flatwashers start them into the thread inserts then screw the Flat screw in and secure to projector. **CAUTION: When attaching the mount be careful not to overtighten screws.**
5. See RPA and/or Smart-Lift™ Instructions.