

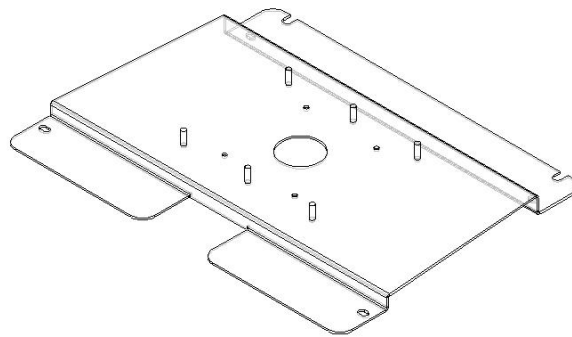


INSTALLATION INSTRUCTIONS SLB-510 HANGER BRACKET for Toshiba TLP-510

Prior to assembly, unpack carton and verify contents.
For security installation, use security hardware package inside the ALL-POINTS™ Security Kit. Follow the instructions below for attaching the bracket to the projector using either standard hardware or security hardware.
If you are missing any of the following components, please contact Customer Service at 1-800-582-6480

Obsolete Bracket

(1)	SLB-510 Plate	(2)	M4 x 8mm Machine Screws
(2)	10-24 Nylock Nuts	(2)	#10 Flatwashers
(4)	Felt Squares	(2)	M4 Flatwashers
(1)	U-Form Rods	(6)	Thumb Nuts



INSTALLATION INSTRUCTIONS

1. Turn projector upside down. Attach bracket to projector using the two (2) M4 machine screws and washers. When attaching bracket to the mount, be careful not to overtighten the screws.
2. Attach the U-Form rod around the projector and up through the holes in the plate, secure using the two (2) 10-24 nylock nut and two (2) #10 flatwashers. **NOTE: Felt squares are provided to protect projector shell, if desired. They can be attached to the projector or wrapped around the U-Form rod.**
3. See RPA/Smart-Lift™ Instructions.