



## INSTALLATION INSTRUCTIONS

### SLB-5100 HANGER BRACKET

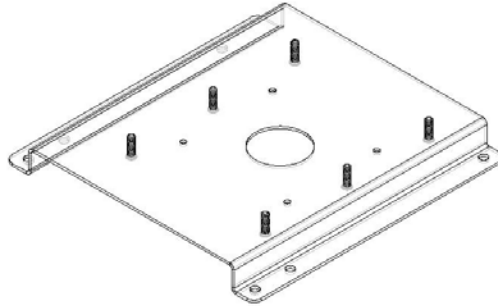
FOR PROXIMA MP5100/5500; 3M MP 8020/8030;  
BOXLIGHT 3090; POLAROID 105/110; HITACHI 500/540

Prior to assembly, unpack carton and verify contents.

For security installation, use security hardware package inside the ALL-POINTS™ Security Kit. Follow the instructions below for attaching the bracket to the projector using either standard hardware or security hardware.

If you are missing any of the following components, please contact Customer Service at 1-800-582-6480

(1)	SLB-5100 Bracket	(6)	8-32 x <sup>5</sup> / <sub>8</sub> " Machine Screws
(6)	#10 Flatwashers	(6)	Thumb Nuts



## INSTALLATION INSTRUCTIONS

1. Turn projector upside down and attach the SLB-5100 bracket to the projector using the six (6) 8-32 x <sup>5</sup>/<sub>8</sub>" machine screws and (6) #10 flatwashers. When attaching the mount, be careful not to overtighten the screws.
2. See RPA/Smart-Lift™ Instruction sheet for installing to mount.