



INSTALLATION INSTRUCTIONS SLB-550 HANGER BRACKET

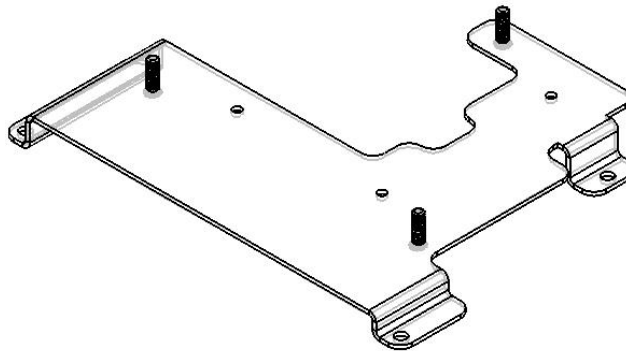
For NEC LT75z, LT85z, Lt150z, Knoll HT-211z,

Prior to assembly, unpack carton and verify contents.

For security installation, use security hardware package inside the ALL-POINTS™ Security Kit. Follow the instructions below for attaching the bracket to the projector using either standard hardware or security hardware.

If you are missing any of the following components, please contact Customer Service at 1-800-582-6480

- | | | | |
|-----|--------------------|-----|----------------------------|
| (1) | SLB-550 Bracket | (1) | M4 -6mm Philips Pan Screws |
| (3) | 10 - 24 Thumb Nuts | (2) | M4 -8mm Philips Pan Screws |
| (3) | M4 Flatwasher | | |



INSTALLATION INSTRUCTIONS

1. Turn projector upside down.
2. Place the SLB-550 bracket onto the bottom of the projector lining up the three mounting holes in the bracket with the three thread inserts in the bottom of the projector.
3. Using the one M4 x 6mm screw and M4 flat washer start this screw in the hole behind the lens. Then start the two M4 x8mm screws and M4 flat washers into the two other threaded inserts and tighten all fasteners at this time, securing the bracket to the projector. **CAUTION: When attaching the mount be careful not to overtighten screws.**
4. See RPA and/or Smart-Lift™ Instructions.