



INSTALLATION INSTRUCTIONS

SLB-553 HANGER BRACKET

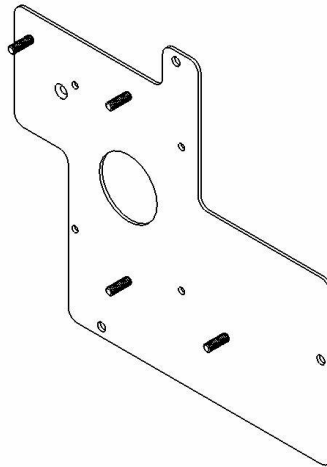
for Epson 53C, 73C,

Prior to assembly, unpack carton and verify contents.

For security installation, use security hardware package inside the ALL-POINTS™ Security Kit. Follow the instructions below for attaching the bracket to the projector using either standard hardware or security hardware.

If you are missing any of the following components, please contact Customer Service at 1-800-582-6480

- | | | | |
|-----|--------------------|-----|--------------------------------------|
| (1) | SLB-553 Bracket | (3) | M4 -20mm Philips Pan Screws |
| (4) | 10 - 24 Thumb Nuts | (1) | M4 -20mm Philips counter sink Screws |
| (3) | M4 Flatwasher | (4) | 1/2" X #10 X 3/8" Nylon Spacer |



INSTALLATION INSTRUCTIONS

1. Turn projector upside down.
2. Place the four 3/8" nylon spacers over the four threaded inserts in the bottom of the projector.
3. Place the SLB-553 bracket onto the four 3/8" nylon spacers on the bottom of the projector lining up the four mounting holes in the bracket with the four nylon spacers.
4. Using the four M4 x 20mm screws start them into the four threaded inserts using the countersink screw in the counter sink hole and tighten all fasteners at this time, securing the bracket to the projector. **CAUTION: When attaching the mount be careful not to overtighten screws.**
5. See RPA and/or Smart-Lift™ Instructions.