



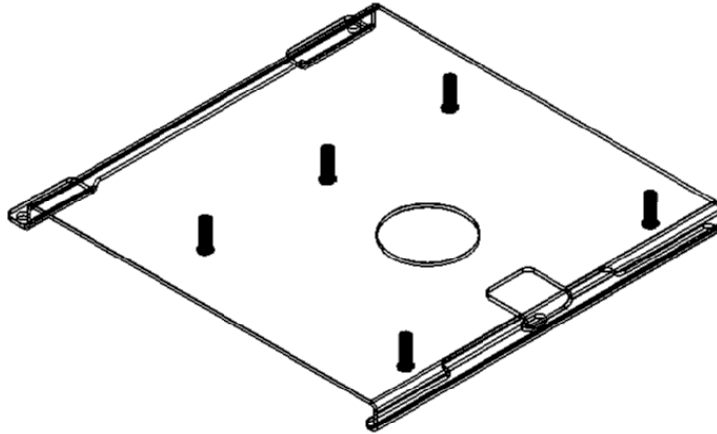
INSTALLATION INSTRUCTIONS

SLB-555 HANGER BRACKET

for Hitachi CP-SX5500W, Dukane 28A9115

Prior to assembly, unpack carton and verify contents.
For security installation, use security hardware package inside the ALL-POINTS™ Security Kit. Follow the instructions below for attaching the bracket to the projector using either standard hardware or security hardware.
If you are missing any of the following components, please contact Customer Service at 1-800-582-6480

- | | | | |
|-----|--------------------|-----|-----------------|
| (1) | SLB-555 Bracket | (3) | M4 -10mm Screws |
| (5) | 10 - 24 Thumb Nuts | (3) | M4 Flat Washers |



INSTALLATION INSTRUCTIONS

1. Turn projector upside down.
2. Place the SLB-555 bracket onto the bottom of the projector lining up the three mounting holes in the bracket with the three threaded inserts in the projector.
3. Using the three M4 x 10mm screws and flat washers, start them into the three threaded inserts and tighten all fasteners at this time, securing the bracket to the projector.
CAUTION: When attaching the mount be careful not to overtighten screws.
4. See RPA and/or Smart-Lift™ Instructions.