



INSTALLATION INSTRUCTIONS

SLB-560 HANGER BRACKET

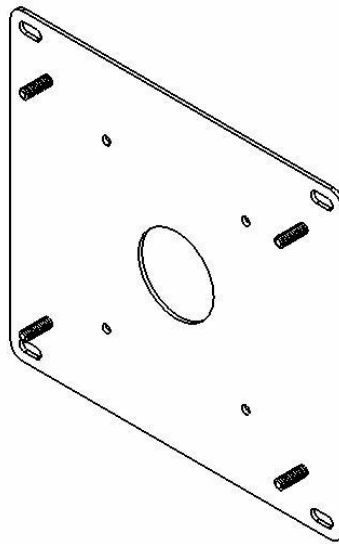
for Runco CL-500, CL-700

Prior to assembly, unpack carton and verify contents.

For security installation, use security hardware package inside the ALL-POINTS™ Security Kit. Follow the instructions below for attaching the bracket to the projector using either standard hardware or security hardware.

If you are missing any of the following components, please contact Customer Service at 1-800-582-6480

- | | | | |
|-----|---------------------------------|-----|-----------------------------|
| (1) | SLB-560 Bracket | (4) | M4 -25mm Philips Pan Screws |
| (4) | 10 - 24 Thumb Nuts | (4) | M4 Flatwasher |
| (4) | 1/2" x .194 x 1/2" Nylon Spacer | | |



INSTALLATION INSTRUCTIONS

1. Turn projector upside down.
2. Place the four 1/2" nylon spacers over the four threaded inserts in the bottom of the projector.
3. Place the SLB-560 bracket onto the four 1/2" nylon spacers on the bottom of the projector lining up the four mounting holes in the bracket with the four nylon spacers.
4. Using the four M4 x 25mm screws and M4 flatwashers start them into the four threaded inserts and tighten all fasteners at this time, securing the bracket to the projector.
CAUTION: When attaching the mount be careful not to overtighten screws.
5. See RPA and/or Smart-Lift™ Instructions.