



INSTALLATION INSTRUCTIONS SLB-685 HANGER BRACKET

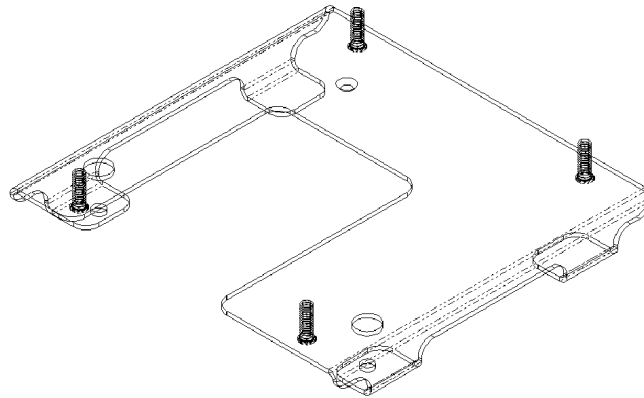
for CTX 610, Optoma EP610, EP610H, EP615,

Prior to assembly, unpack carton and verify contents.

For security installation, use security hardware package inside the ALL-POINTS™ Security Kit. Follow the instructions below for attaching the bracket to the projector using either standard hardware or security hardware.

If you are missing any of the following components, please contact Customer Service at 1-800-582-6480

- | | | | |
|-----|--------------------|-----|------------------------------------|
| (1) | SLB-685 Bracket | (1) | M4 - 25mm Phillips flat head screw |
| (4) | 10 - 24 Thumb Nuts | (2) | M4 Flatwashers |
| (2) | M4 -10mm screws | | |



INSTALLATION INSTRUCTIONS

1. Turn projector upside down.
2. Place SLB-685 plate onto bottom of projector. Line up the three mounting holes in the SLB-685 plate with the threaded inserts and secure using the two M4 -10mm mounting screws and M4 Flatwashers on one side and the M4 - 25mm Countersunk Screw on the other side of the bracket. **CAUTION: When attaching the mount be careful not to overtighten.**
3. See RPA and/or Smart-Lift™ Instructions.