



INSTALLATION INSTRUCTIONS SLB-7345 HANGER BRACKET

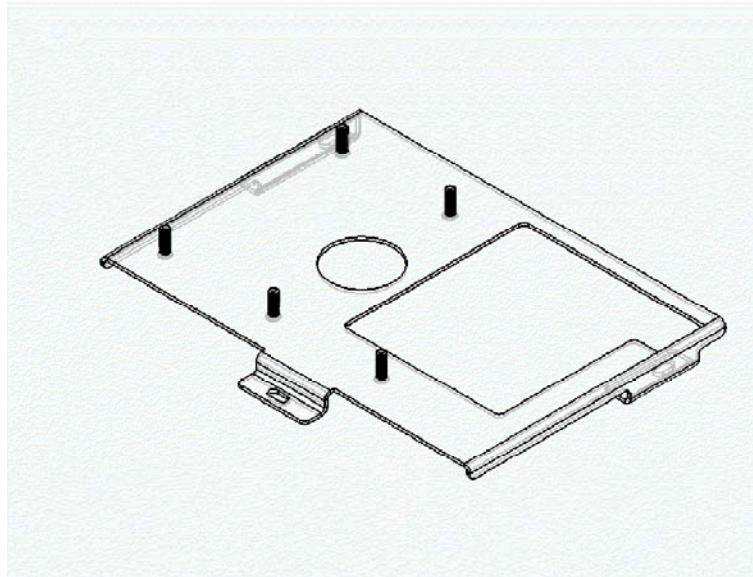
for EIKI LC-NB3W, LC-XNB3, LC-XNB3W, LC-XNB3W,
SANYO PLC-SU30, PLC-XU30, XU35,
CANON LV-7340, LV-7345,

Prior to assembly, unpack carton and verify contents.

For security installation, use security hardware package inside the ALL-POINTS™ Security Kit. Follow the instructions below for attaching the bracket to the projector using either standard hardware or security hardware.

If you are missing any of the following components, please contact Customer Service at 1-800-582-6480

- | | | | |
|-----|--------------------|-----|-----------------|
| (1) | SLB-7345 Bracket | (3) | M4 - 8mm Screws |
| (5) | 10 - 24 Thumb Nuts | (3) | M4 Flatwashers |



INSTALLATION INSTRUCTIONS

1. Turn projector upside down.
2. Place the SLB-7345 bracket on to the bottom of the projector lining up the three mounting holes in the SLB-7345 bracket with the three threaded inserts in the bottom of the projector and secure using the three M4 -8mm mounting screws and M4 Flatwashers. **CAUTION: When attaching the mount be careful not to overtighten screws.**
3. See RPA and/or Smart-Lift™ Instructions.