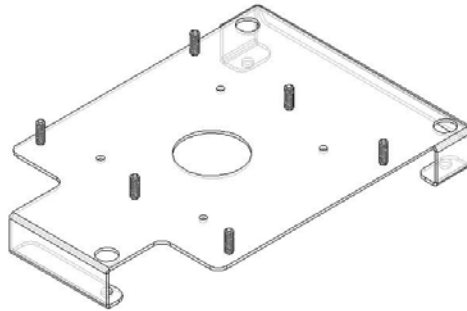




## INSTALLATION INSTRUCTIONS SLB-750 Hanging Bracket FOR INFOCUS 750

Prior to assembly, unpack carton and verify contents.  
For security installation, use security hardware package inside the ALL-POINTS™ Security Kit. Follow the instructions below for attaching the bracket to the projector using either standard hardware or security hardware.  
If you are missing any of the following components, please contact Customer Service at 1-800-582-6480

- |                             |                        |
|-----------------------------|------------------------|
| (1) SLB-750 Hanging Bracket | (3) M4-7 x 10mm Screws |
| (6) 10-24 Thumb Nuts        | (3) M4 Flat Washer     |



### INSTALLATION INSTRUCTIONS

1. Lay projector upside down on work surface, align three inner smaller diameter holes in bottom of bracket with three, M4-7 inserts in projector.
2. Insert machine screws (M4-7 x 10mm) by sliding screws in between and on top of tabs, align screw with allen wrench through outer, larger diameter holes and tighten moderately.
3. Review RPA instructions for final mounting.
4. CAUTION! SLB-750 Hanging Bracket must be removed from projector to allow removal of both filter and bulb door for periodic cleaning and or bulb replacement.

**CHIEF MANUFACTURING INC.**  
12800 HWY. 13 S. STE. 500 Savage, MN 55378  
800-582-6480, Fax: 877-894-6918, Email: [chief@chiefmfg.com](mailto:chief@chiefmfg.com)