



INSTALLATION INSTRUCTIONS

SLB-797 HANGER BRACKET

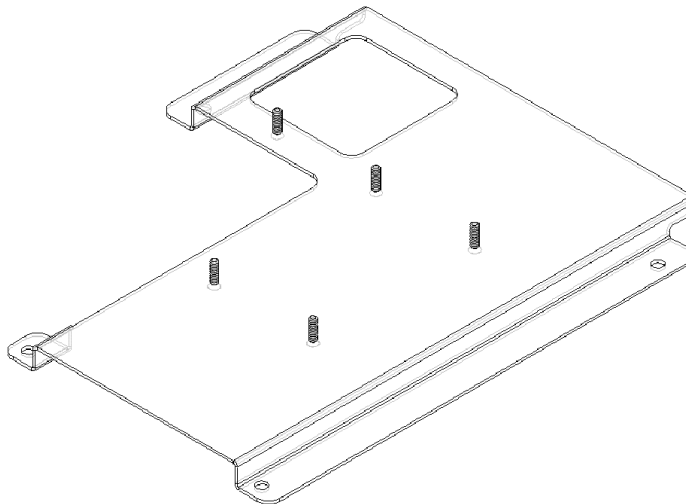
for Panasonic PT-L597U, PT-L797U

Prior to assembly, unpack carton and verify contents.

For security installation, use security hardware package inside the ALL-POINTS™ Security Kit. Follow the instructions below for attaching the bracket to the projector using either standard hardware or security hardware.

If you are missing any of the following components, please contact Customer Service at 1-800-582-6480

- | | | | |
|-----|--------------------|-----|------------------|
| (1) | SLB-797 Bracket | (4) | M6 - 16mm Screws |
| (5) | 10 - 24 Thumb Nuts | (4) | M6 Flatwashers |
| (1) | Allen Wrench | | |



INSTALLATION INSTRUCTIONS

1. Turn projector upside down.
2. Place bracket onto bottom of projector, lining up the four mounting holes in the bracket with the four threaded inserts in the projector. Using the M6 x 16mm screws and flatwashers thread the screws into the threaded inserts and using the Allen wrench secure the bracket to the projector. **CAUTION: When attaching the mount be careful not to overtighten screws**
3. See RPA and/or Smart-Lift™ Instructions.