

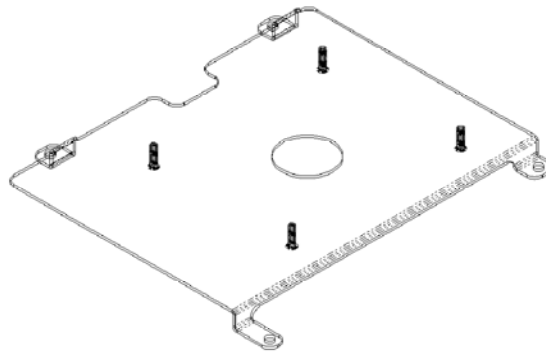


INSTALLATION INSTRUCTIONS SLB-8750 HANGER BRACKET for 3m 8750

Prior to assembly, unpack carton and verify contents.

If you are missing any of the following components, please contact Customer Service at 1-800/582-6480

- | | | | |
|-----|------------------|-----|----------------|
| (1) | SLB-8750 Bracket | (4) | Thumb Nuts |
| (4) | M5 x 16mm | (4) | #5 Flatwashers |



INSTALLATION INSTRUCTIONS

1. Turn projector upside down.
2. Place SLB-8750 bracket on the projector so the four mounting holes in the bracket lineup with the four mounting inserts in the bottom of the projector.
3. Attach the SLB-bracket using the four M5 x 16mm screws and #5 washers. **CAUTION: When attaching the mount be careful not to overtighten.**
4. See RPA/Smart-Lift™ Instructions.