



INSTALLATION INSTRUCTIONS

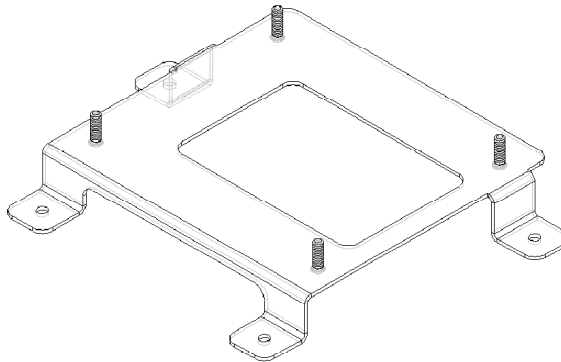
SLB-890 HANGER BRACKET

for APOLLO VP836, VP885, VP890, VP89240

Prior to assembly, unpack carton and verify contents.
For security installation, use security hardware package inside the ALL-POINTS™ Security Kit. Follow the instructions below for attaching the bracket to the projector using either standard hardware or security hardware.
If you are missing any of the following components, please contact Customer Service at 1-800-582-6480

- | | | | |
|-----|--------------------|-----|------------------|
| (1) | SLB-890 Bracket | (4) | M5 - 10mm Screws |
| (4) | 10 - 24 Thumb Nuts | (4) | M5 Flatwashers |

INSTALLATION INSTRUCTIONS



1. Turn projector upside down.
2. Place the SLB-890 bracket on to the bottom of the projector lining-up the four mounting holes in the SLB-890 bracket with the four threaded inserts and secure using the four M5 -10mm mounting screws and M5 Flatwashers. **CAUTION: When attaching the mount be careful not to overtighten screws.**
3. See RPA and/or Smart-Lift™ Instructions.