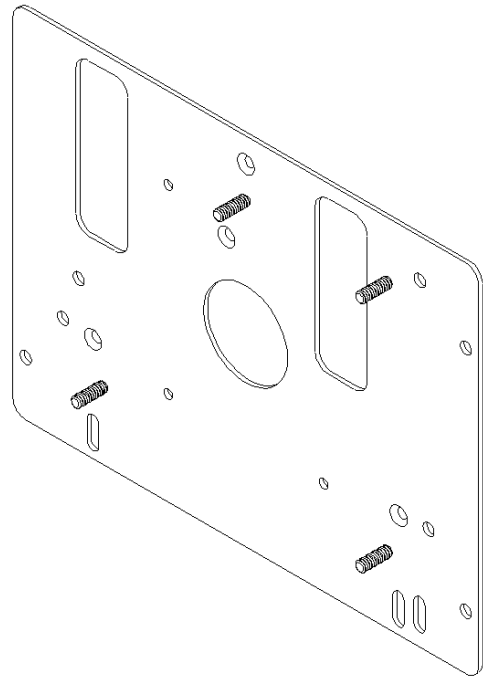

INSTRUCTION MANUAL

SLB-9000 Ceiling Bracket

The Chief SLB Projector Mount provides a unique, simplified method of mounting your LCD/DLP projector. This low profile design offers three easy mounting methods (1" NPT, flush or threaded rod); roll, pitch and yaw adjustment; and cable management system; that allow quick projector disconnect without loss of registration.

The mount is constructed of heavy gauge steel and designed to ensure proper projector ventilation. Fast and precise image registration is achieved through the easy roll, pitch and yaw adjustments built into the Chief SLB Projector Mount.

Please read and follow these installation instructions carefully before installing products.



BEFORE YOU BEGIN

- **CAUTION:** To prevent damage to the SLB-9000, which could affect or void the Factory warranty, thoroughly study all instructions and illustrations before you begin to install the SLB-900. Pay particular attention to the “Important Precautions” on Page 1.
- The maximum weight to be installed on the SLB-9000 is 50 pounds (22.68 Kg).
- If you have any questions about this assembly, contact Chief Manufacturing at 1-800-582-6480.



CHIEF MANUFACTURING INC.
1-800-582-6480 952-894-6280 FAX 952-894-6918
12800 HIGHWAY 13 SOUTH, SUITE 500
SAVAGE, MINNESOTA 55378 USA

PART NO. 8802-000118 (Rev. A)
©2003 Chief Manufacturing
www.chiefmfg.com
Printed in USA 12-03



IMPORTANT WARNINGS AND CAUTIONS!

WARNING: A **WARNING** alerts you to the possibility of serious injury or death if you do not follow the instructions.

CAUTION: A **CAUTION** alerts you to the possibility of damage or destruction of equipment if you do not follow the corresponding instructions.

- **WARNING:** **Improper installation can result in serious personal injury! Make sure that the structural members can support a redundant weight factor *five times the total weight of the equipment*. If the structure can not support this weight, reinforce the structure before installing the SLB-9000.**
- **WARNING:** **You must use proper attaching hardware and installation procedures. Failure to use proper attaching hardware and installation procedures may result in equipment damage or serious personal injury.**
- **WARNING:** **Be aware of the potential for personal injury or damage to the unit if it is not adequately mounted.**
- **WARNING:** **The installer is responsible for verifying that the mounting surface structural members to which the mount is anchored will safely support the combined load of all attached components or other equipment.**
- **CAUTION:** Inspect the unit for shipping damage.
- **CAUTION:** When attaching the mount, be careful not to overtighten mounting screws.
- **CAUTION:** Changes or modifications not approved by Chief Manufacturing could void user's warranty.

TOOLS REQUIRED FOR INSTALLATION

- Phillips screwdrivers, No. 1 and No. 2

NOTE: Other tools may be required depending on the method of installation.

CONTENTS

INSPECT THE BRACKET AND ATTACHING HARDWARE BEFORE INSTALLING 3

SELECT PROJECTOR MODEL AND DETERMINE PARTS 3

BRACKET INSTALLATION PROCEDURES .. 5

 Group A Installation Procedures: 5

 Group B Installation Procedures: 5

 Group C Installation Procedures: 6

 Group D Installation Procedures: 6

 Group E Installation Procedures: 7

PARTS 8

INSPECT THE BRACKET AND ATTACHING HARDWARE BEFORE INSTALLING

1. Carefully inspect the SLB-9000 for shipping damage. If any damage is apparent, call your carrier claims agent and do not continue with the installation until the carrier has reviewed the damage.

NOTE: Read all instructions before starting installation.

2. Lay out components to ensure you have all the required parts before proceeding (see “PARTS” on page 8).

SELECT PROJECTOR MODEL AND DETERMINE PARTS

This interface bracket is designed to fit a wide variety of projector models. Study the following information carefully to select the proper hardware and assembly procedures for your specific projector model. To determine the correct hardware and procedures, perform the following:

1. Using Table 1 on page 4, locate your projector model.
2. Note and record the group letter for your projector model.

NOTE: Not all hardware will be used for every installation. Do not discard extra hardware until installation is complete.

3. Using the group number determined in Step 2, proceed to “BRACKET INSTALLATION PROCEDURES” on page 5 and follow the instructions for your projector model

Manufacturer	Model	Group	Manufacturer	Model	Group
A + K	AstroBeam S120	D	Geha	Compact 280	A
A + K	AstroBeam S230	A	Geha	Compact 290	C
A + K	AstroBeam X120	D	Geha	Compact 690	B
A + K	AstroBeam X201	E	IBM	Conference Room	A
A + K	AstroBeam X211	E	IBM	iL C200	A
A + K	AstroBeam X220	C	IBM	iL C300	C
A + K	AstroBeam X230	A	IBM	iL V200	A
A + K	AstroBeam X310	B	IBM	iL V300	B
A + K	AstroBeam X311	B	IBM	Value Based	A
ASK	C100	E	Infocus	LP 240	D
ASK	C105	E	Infocus	LP 250	D
ASK	C200	C	Infocus	LP 340	A
ASK	C300	B	Infocus	LP 340B	A
ASK	C40	D	Infocus	LP 350	A
ASK	C420	C	Infocus	LP 500 SERIES	A
ASK	C50	D	Infocus	LP 530	A
ASK	C80	E	Infocus	LP 650	C
ASK	C90	E	Infocus	LP 690	E
ASK	C95	E	Infocus	LP 790	B
Boxlight	12SF	A	Infocus	LP 790HB	B
Boxlight	CD-454m	A	Infocus	LP 820	C
Boxlight	CD-455m	A	Infocus	LS 110	A
Boxlight	CD-555m	A	Infocus	Screenplay 110	A
Boxlight	CD-600m	A	Infocus	Screenplay 4800	B
Boxlight	CD-750m	A	Infocus	Screenplay 5700	C
Boxlight	CD-850m	C	Infocus	Screenplay 7200	C
Boxlight	CD-875m	C	Infocus	Screenplay 7205	C
Boxlight	Cinema 12SF	A	Infocus	X1	B
Boxlight	SP-45m	D	Knoll	HD-101	B
Boxlight	XP-55m	D	Knoll	HD-110	A
Dataview	E200	E	Knoll	HD-177	C
Dataview	E220	E	Knoll	HD-272	C
Dataview	E221	E	Knoll	HT-202	A
Dataview	E231	E	Proxima	DP 2000s	D
Dataview	M320	B	Proxima	DP 2000x	D
Dream Vision	Dream Weaver	C	Proxima	DP 6150	E
Dream Vision	Dream Weaver II	C	Proxima	DP 6155	E
Dukane	ImagePro 7100HC	B	Proxima	DP 6500x	C
Dukane	ImagePro 8043A	D	Proxima	DP 8000	B
Dukane	ImagePro 8048	A	Proxima	DP 8000HB	B
Dukane	ImagePro 8750	A	Proxima	DP 8200x	C
Dukane	ImagePro 8753A	D	Toshiba	TDP-MT100	B
Dukane	ImagePro 8757	C	Toshiba	TDP-MT5	A
Geha	Compact 105	D	Toshiba	TDP-MT8U	C
Geha	Compact 107	B	Toshiba	TDP-S2	A
Geha	Compact 205	D	Toshiba	TDP-S2V	A
Geha	Compact 210 Plus	E	Toshiba	TDP-S3	A
Geha	Compact 211 Plus	E	Toshiba	TDP-T1	A
Geha	Compact 280	A	Toshiba	TDP-T3	A
Geha	Compact 290	C	Yokogawa	D-1500X	E

BRACKET INSTALLATION PROCEDURES

Group A Installation Procedures:

1. Turn your projector over and place it on a clean, flat, suitable surface.
2. Find and open the hardware kit (parts) for your projector model (see “SELECT PROJECTOR MODEL AND DETERMINE PARTS” on page 3).
3. Place a 3/8" X 1/2" Nylon spacer over each threaded insert in the bottom of your projector.
4. Using Figure 1, find the proper mounting holes in SLB-9000 for your projector.
5. Place the SLB-9000 on the 3 Nylon spacers, aligning the proper mounting holes in SLB-9000 with the Nylon spacers.

CAUTION: When attaching the mount, be careful not to over-tighten mounting screws.

6. Secure the SLB-9000 to your projector using three M4-20mm pan-head screws and three M4 flat washers.
7. See InFocus Universal Projector Mount Instructions.

Group B Installation Procedures:

1. Turn your projector over and place it on a clean, flat, suitable surface.
2. Find and open the hardware kit (parts) for your projector model (see “SELECT PROJECTOR MODEL AND DETERMINE PARTS” on page 3).
3. Place a 3/8" X 1/2" Nylon spacer over each threaded insert in the bottom of your projector.
4. Using Figure 2, find the proper mounting holes in SLB-9000 for your projector.
5. Place the SLB-9000 on the 3 Nylon spacers, aligning the proper mounting holes in SLB-9000 with the Nylon spacers.

CAUTION: When attaching the mount, be careful not to over-tighten mounting screws.

6. Secure the SLB-9000 to your projector using two M4-20mm pan-head screws, one 20mm flat head screw, and two M4 flat washers.
7. See RPA and/or Smart-Lift Instructions.

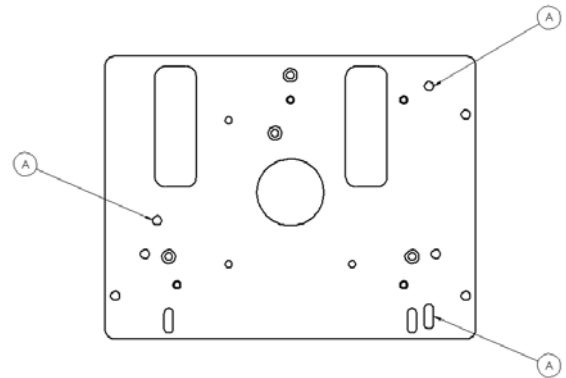


Figure 1. Group A Hole Alignment

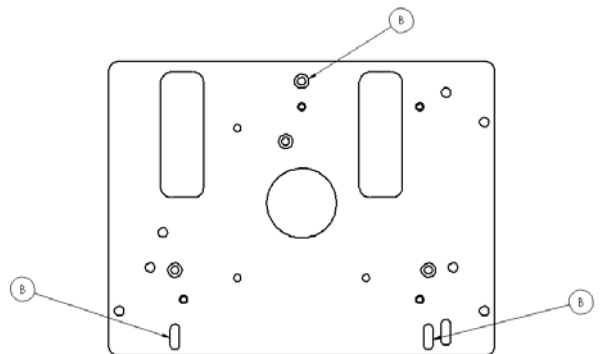


Figure 2. Group B Hole Alignment

Group C Installation Procedures:

1. Turn your projector over and place it on a clean, flat, suitable surface.
2. Find and open the hardware kit (parts) for your projector model (see “SELECT PROJECTOR MODEL AND DETERMINE PARTS” on page 3).
3. Place a 3/8” X 1/2” Nylon spacer over each threaded insert in the bottom of your projector.
4. Using Figure 3, find the proper mounting holes in SLB-9000 for your projector.
5. Place the SLB-9000 on the 3 Nylon spacers, aligning the proper mounting holes in SLB-9000 with the Nylon spacers.

CAUTION: When attaching the mount, be careful not to over-tighten mounting screws.

6. Secure the SLB-9000 to your projector using three M4-20mm pan-head screws, three M4 flat washers, and three 3/8” X 1/2” Nylon spacers provided.
7. See RPA and/or Smart-Lift Instructions.

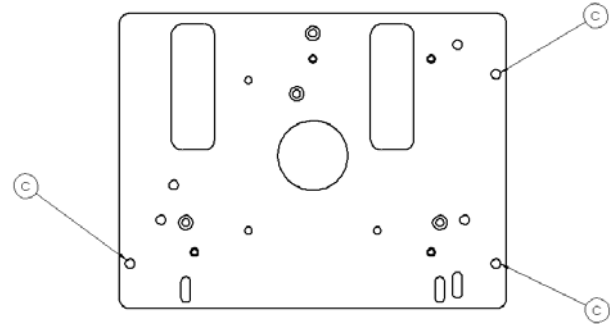


Figure 3. Group C Hole Alignment

Group D Installation Procedures:

1. Turn your projector over and place it on a clean, flat, suitable surface.
2. Find and open the hardware kit (parts) for your projector model (see “SELECT PROJECTOR MODEL AND DETERMINE PARTS” on page 3).
3. Place a 3/8” X 1/2” Nylon spacer over each threaded insert in the bottom of your projector.
4. Using Figure 4, find the proper mounting holes in SLB-9000 for your projector.
5. Place the SLB-9000 on the 3 Nylon spacers, aligning the proper mounting holes in SLB-9000 with the Nylon spacers.

CAUTION: When attaching the mount, be careful not to over-tighten mounting screws.

6. Secure the SLB-9000 to your projector using two M4-20mm pan-head screws, one 20mm flat head screw, and two M4 flat washers.
7. See RPA and/or Smart-Lift Instructions.

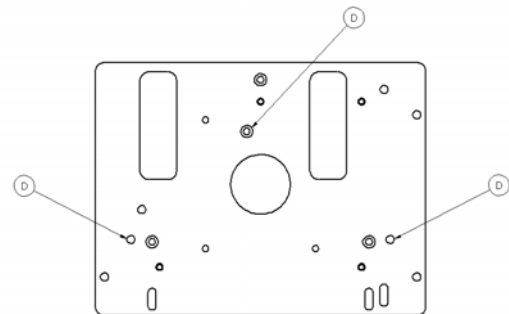


Figure 4. Group D Hole Alignment

Group E Installation Procedures:

1. Turn your projector over and place it on a clean, flat, suitable surface.
2. Find and open the hardware kit (parts) for your projector model (see “SELECT PROJECTOR MODEL AND DETERMINE PARTS” on page 3).
3. Place a 3/8" X 1/2" Nylon spacer over each threaded insert in the bottom of your projector.
4. Using Figure 5, find the proper mounting holes in SLB-9000 for your projector
5. Place the SLB-9000 on the 3 Nylon spacers, aligning the proper mounting holes in SLB-9000 with the Nylon spacers.

CAUTION: When attaching the mount, be careful not to over-tighten mounting screws.

6. Secure the SLB-9000 to your projector using three M4-20mm pan-head screws and three M4 flat washers.
7. See RPA and/or Smart-Lift Instructions.

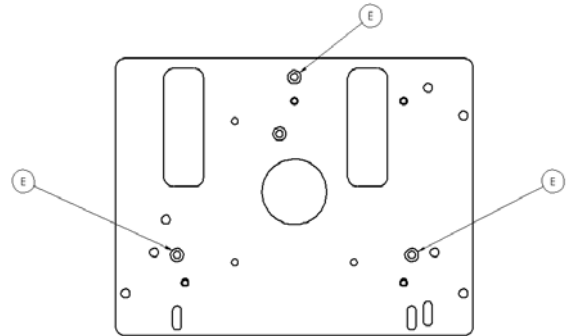


Figure 5. Group E Hole Alignment

PARTS

Table 1: Parts

No.	Nomenclature	Qty.	No.	Nomenclature	Qty.
1	SLB-9000	1	5	SPACER, Nylon, 3/8" X 1/2"	3
2	SCREW, pan head, M4-20mm	3	6	NUT, thumb	4
3	SCREW, flat head, M4-20mm	3	7	KIT, All-Points (not shown)	1
4	WASHER, M4	3			

