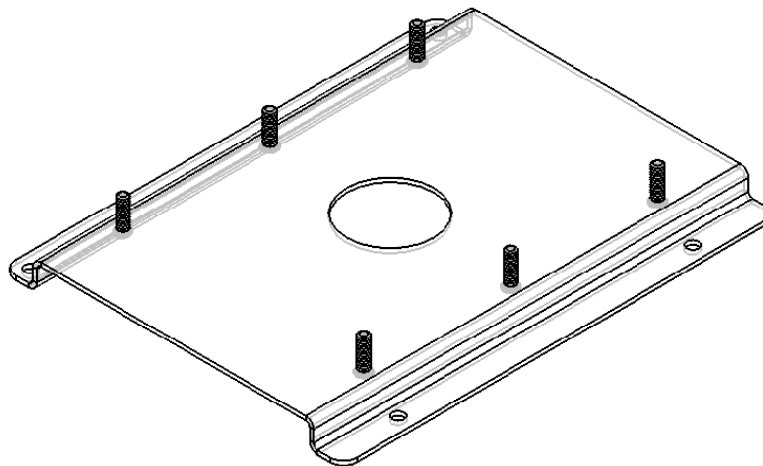




INSTALLATION INSTRUCTIONS SLB-9500 HANGER BRACKET for NEC GT950,

Prior to assembly, unpack carton and verify contents.
For security installation, use security hardware package inside the ALL-POINTS™ Security Kit. Follow the instructions below for attaching the bracket to the projector using either standard hardware or security hardware.
If you are missing any of the following components, please contact Customer Service at 1-800-582-6480

- | | | | |
|-----|--------------------|-----|------------------|
| (1) | SLB-9500 Bracket | (4) | M4 -8mm Screws |
| (6) | 10 - 24 Thumb Nuts | (4) | M4 - Flatwashers |



INSTALLATION INSTRUCTIONS

1. Turn projector upside down.
2. Place the SLB-9500 bracket onto the bottom of the projector lining up the four holes in the bracket with the four threaded inserts in the bottom of the projector.
3. Using the four M4 x 8mm screws and flatwashers start them into the four threaded inserts and tighten all fasteners at this time, securing the bracket to the projector. **CAUTION: When attaching the mount be careful not to overtighten screws.**
4. See RPA and/or Smart-Lift™ Instructions.