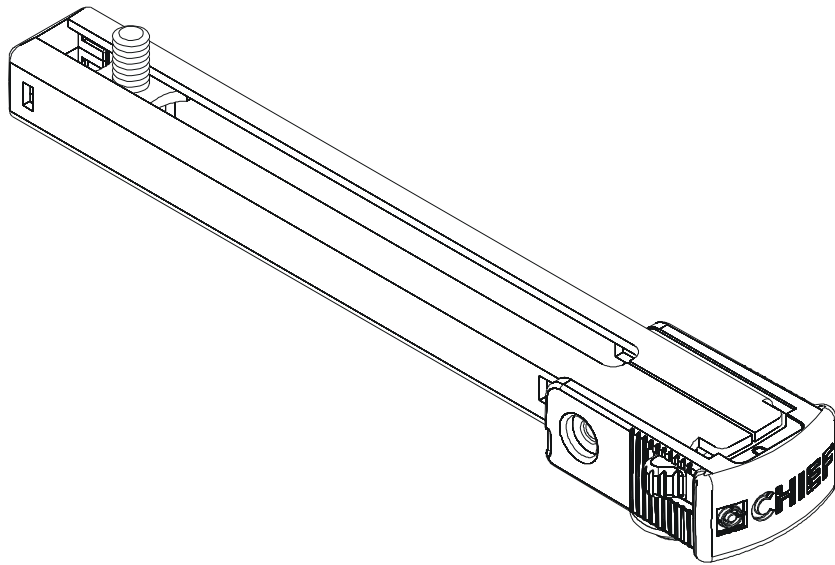

INSTALLATION INSTRUCTIONS



SLBU/SLMU ADDITIONAL LEG ACCESSORY

DISCLAIMER

Milestone AV Technologies and its affiliated corporations and subsidiaries (collectively "Milestone"), intend to make this manual accurate and complete. However, Milestone makes no claim that the information contained herein covers all details, conditions or variations, nor does it provide for every possible contingency in connection with the installation or use of this product. The information contained in this document is subject to change without notice or obligation of any kind. Milestone makes no representation of warranty, expressed or implied, regarding the information contained herein. Milestone assumes no responsibility for accuracy, completeness or sufficiency of the information contained in this document.

Chief® is a registered trademark of Milestone AV Technologies. All rights reserved.

! IMPORTANT SAFETY WARNINGS!

! WARNING: A WARNING alerts you to the possibility of serious injury or death if you do not follow the instructions.

! CAUTION: A CAUTION alerts you to the possibility of damage or destruction of equipment if you do not follow the corresponding instructions.

! WARNING: Failure to read, thoroughly understand, and follow all instructions can result in serious personal injury, damage to equipment, or voiding of factory warranty! It is the installer's responsibility to make sure all components are properly assembled and installed using the instructions provided.

! WARNING: Failure to provide adequate structural strength for this component can result in serious personal injury or damage to equipment! It is the installer's responsibility to make sure the structure to which this component is attached can support five times the combined weight of all equipment. Reinforce the structure as required before installing the component.

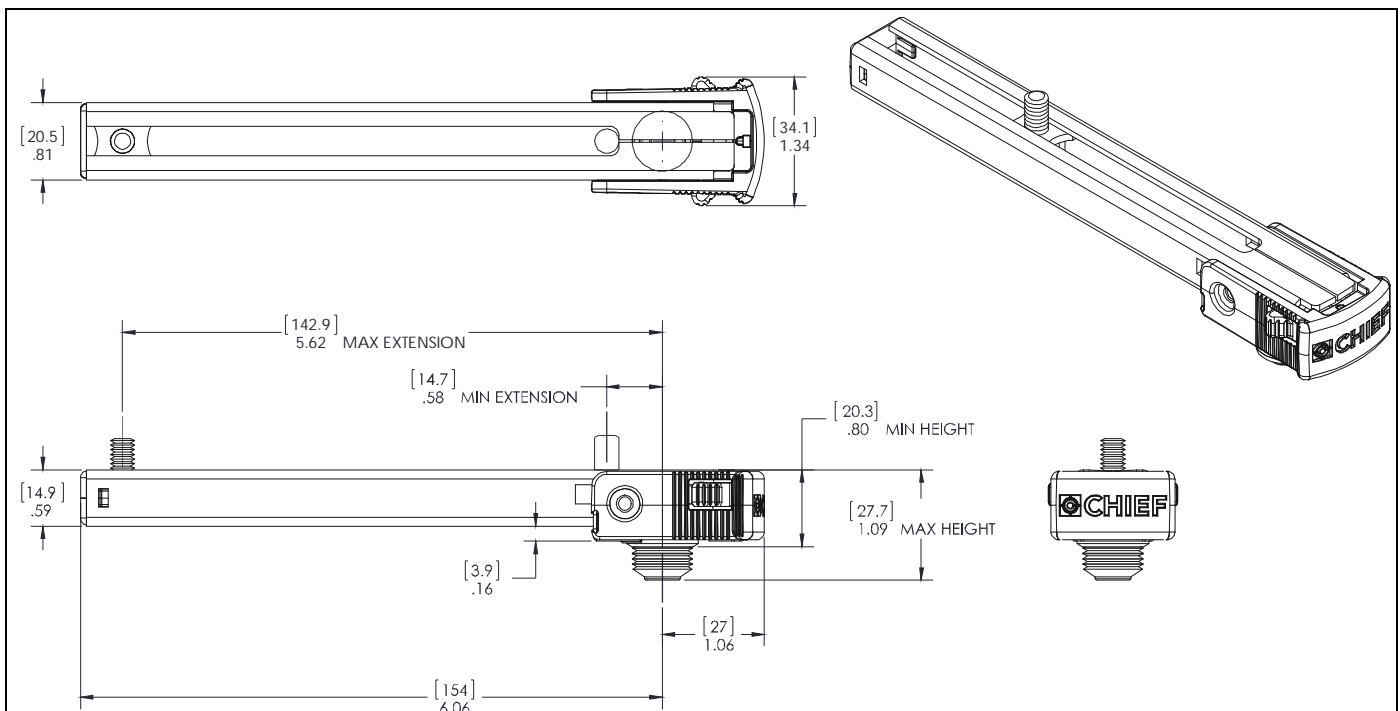
! WARNING: Use this accessory only for its intended use as described in these instructions. Do not use attachments not recommended by the manufacturer.

! WARNING: Never operate this accessory if it is damaged. Return the accessory to a service center for examination and repair.

! WARNING: Do not use this product outdoors.

--SAVE THESE INSTRUCTIONS--

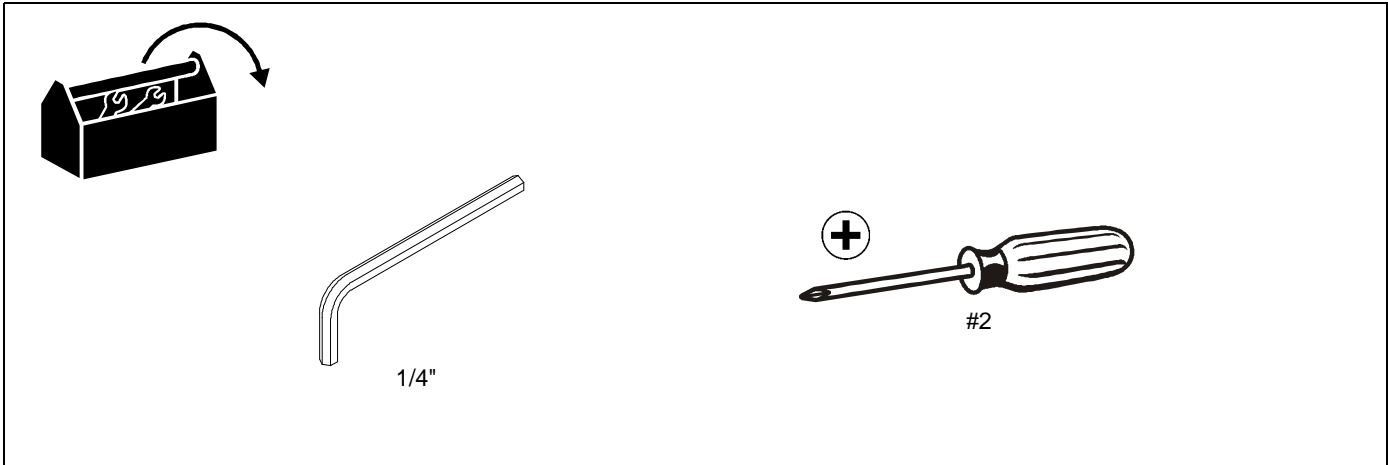
DIMENSIONS



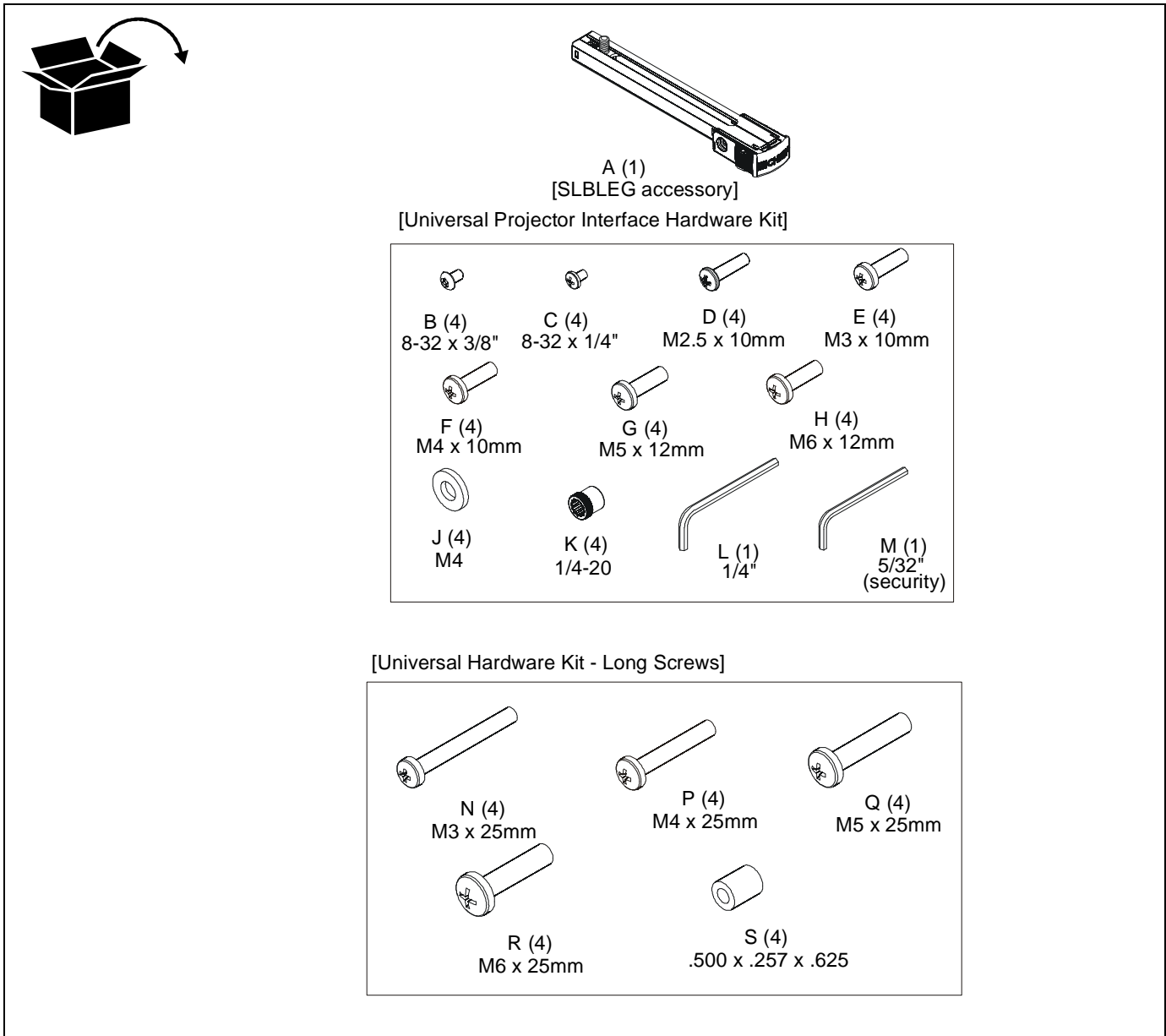
LEGEND

	<p>Tighten Fastener</p> <p>Apretar elemento de fijación</p> <p>Befestigungsteil festziehen</p> <p>Apertar fixador</p> <p>Serrare il fissaggio</p> <p>Bevestiging vastdraaien</p> <p>Serrez les fixations</p>		<p>Pencil Mark</p> <p>Marcar con lápiz</p> <p>Stiftmarkierung</p> <p>Marcar com lápis</p> <p>Segno a matita</p> <p>Potloodmerkten</p> <p>Marquage au crayon</p>
	<p>Loosen Fastener</p> <p>Aflojar elemento de fijación</p> <p>Befestigungsteil lösen</p> <p>Desapertar fixador</p> <p>Allentare il fissaggio</p> <p>Bevestiging losdraaien</p> <p>Desserrez les fixations</p>		<p>Drill Hole</p> <p>Perforar</p> <p>Bohrloch</p> <p>Fazer furo</p> <p>Praticare un foro</p> <p>Gat boren</p> <p>Percez un trou</p>
	<p>Phillips Screwdriver</p> <p>Destornillador Phillips</p> <p>Kreuzschlitzschraubendreher</p> <p>Chave de fendas Phillips</p> <p>Cacciavite a stella</p> <p>Kruiskopschroevendraaier</p> <p>Tournevis à pointe cruciforme</p>		<p>Adjust</p> <p>Ajustar</p> <p>Einstellen</p> <p>Ajustar</p> <p>Regolare</p> <p>Afstellen</p> <p>Ajuster</p>
	<p>Open-Ended Wrench</p> <p>Llave de boca</p> <p>Gabelschlüssel</p> <p>Chave de bocas</p> <p>Chiave a punte aperte</p> <p>Steeksleutel</p> <p>Clé à fourche</p>		<p>Remove</p> <p>Quitar</p> <p>Entfernen</p> <p>Remover</p> <p>Rimuovere</p> <p>Verwijderen</p> <p>Retirez</p>
	<p>By Hand</p> <p>A mano</p> <p>Von Hand</p> <p>Com a mão</p> <p>A mano</p> <p>Met de hand</p> <p>À la main</p>		<p>Optional</p> <p>Opcional</p> <p>Optional</p> <p>Opcional</p> <p>Opzionale</p> <p>Optie</p> <p>En option</p>
	<p>Hex-Head Wrench</p> <p>Llave de cabeza hexagonal</p> <p>Sechskantschlüssel</p> <p>Chave de cabeça sextavada</p> <p>Chiave esagonale</p> <p>Zeskantsleutel</p> <p>Clé à tête hexagonale</p>		<p>Security Wrench</p> <p>Llave de seguridad</p> <p>Sicherheitsschlüssel</p> <p>Chave de segurança</p> <p>Chiave di sicurezza</p> <p>Veiligheidsleutel</p> <p>Clé de sécurité</p>

TOOLS REQUIRED FOR INSTALLATION



PARTS



ASSEMBLY AND INSTALLATION

NOTE: The SLBLEG is designed to be used as an additional leg along with Chief® SLBU/SLMU interface brackets. The following installation instructions show how to install it simultaneously to the SLBU/SLMU interface bracket. Refer to SLBU/SLMU installation instructions for further installation instructions.

Remove Screw Adapters from SLBLEG Accessory

1. Press locking buttons on SLBLEG accessory (A) firmly and simultaneously push clip cover toward enclosed sliding stud mount bracket and screw. (See Figure 1)
2. Screw adapter and attached height-adjustment nut will be released. Set aside for later use. (See Figure 1)
3. Repeat Steps 1-2 for each leg to be used in installation.

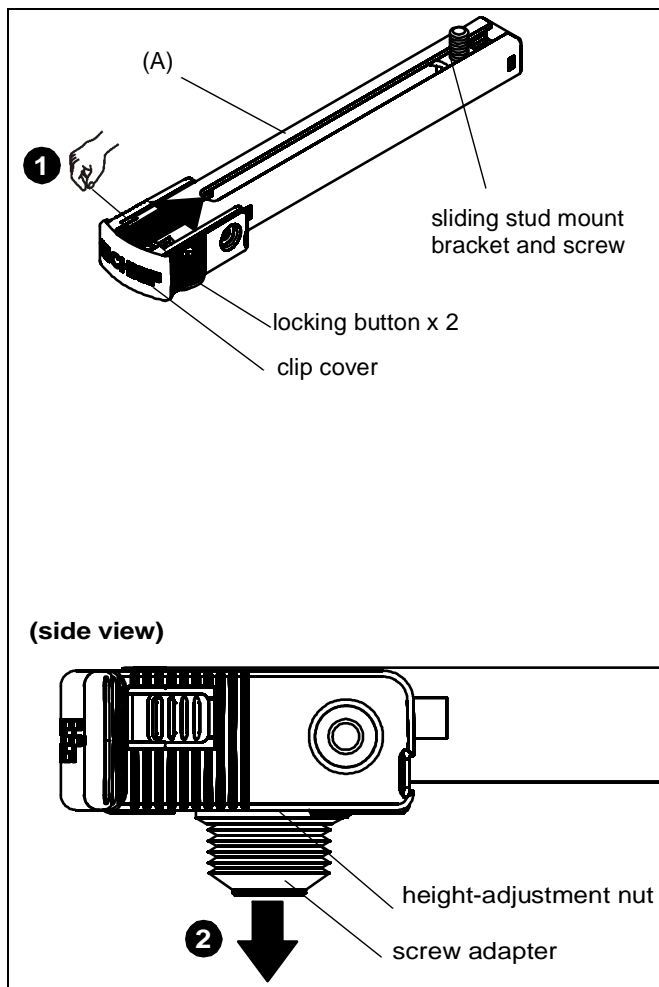


Figure 1

Attach Projector to SLBU/SLMU and SLBLEG

1. Determine proper size screw to insert into projector. Test Phillips screws (D, E, F, G and H) provided until one fits the projector holes.
2. Insert screws through M4 flat washers (J), screw adapters with height-adjustable nuts and into projector holes. (See Figure 2)

NOTE: Only use washers (J) if using D or E screws to attach screw adapters to projector.

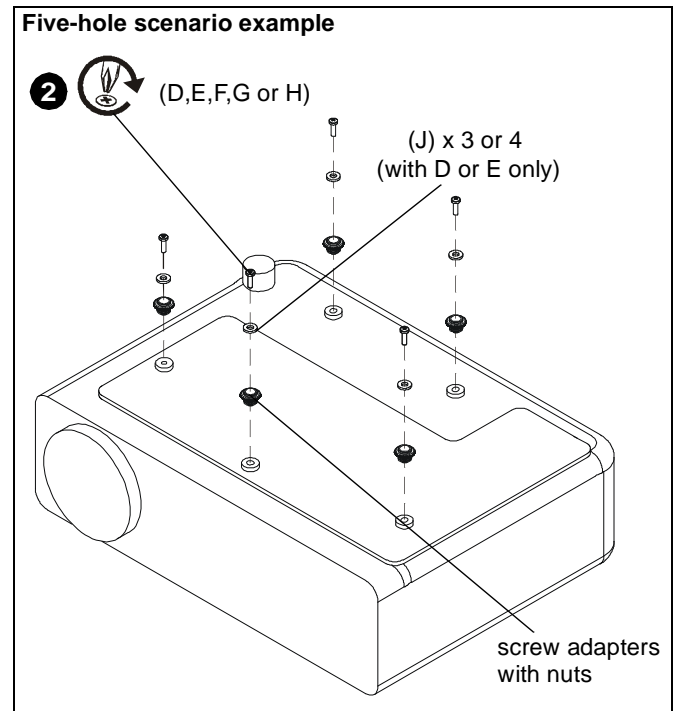


Figure 2

3. Adjust height-adjustment nuts to desired level. (See Figure 3)

NOTE: Height-adjustment nuts should be adjusted as low as possible while ensuring that the legs will always clear any elevated surfaces on the projector. All nuts must be adjusted to the same level to ensure an even mount.

IMPORTANT ! : The optional Universal Hardware Kit - Long Screws (see Parts drawing) may be used if there is interference with any part of the projector, and more height is required to clear elevated surfaces of the projector.

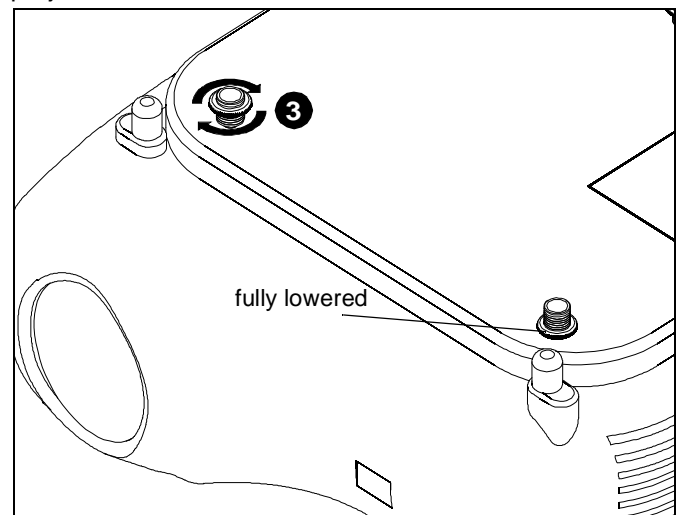


Figure 3

- Place SLBLEG accessory (A) and SLBU/SLMU legs over screw adapters and height-adjustment nuts. (See Figure 4)

NOTE: Make sure arm latch clips are in the unlocked position.

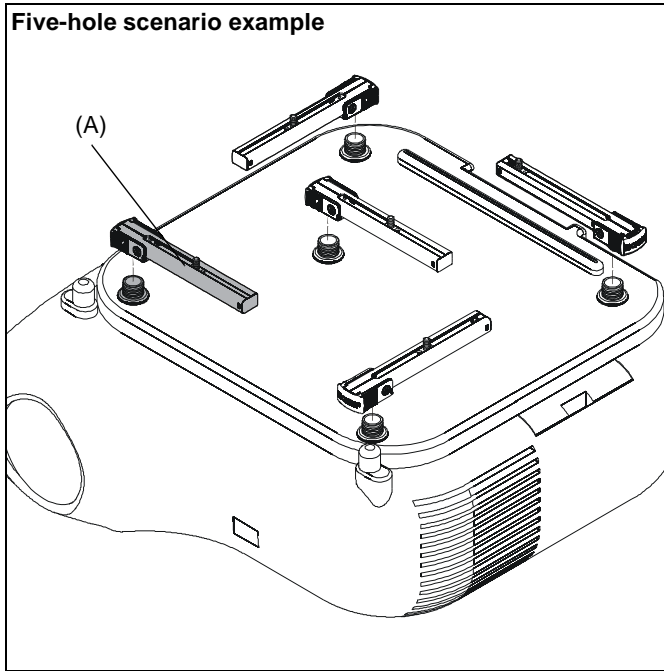


Figure 4

- Press locking buttons on SLBLEG accessory (A) firmly and simultaneously push clip cover away from enclosed sliding stud mount bracket until clip cover is in the locked position. (See Figure 5)
- Repeat Step 5 for remaining legs.



WARNING: Make sure legs have securely locked onto height-adjustable nuts with the latch clips. If the legs are not properly locked onto the adapters, the projector could fall from the SLBU/SLMU mount causing **SERIOUS INJURY** or **DEATH!**

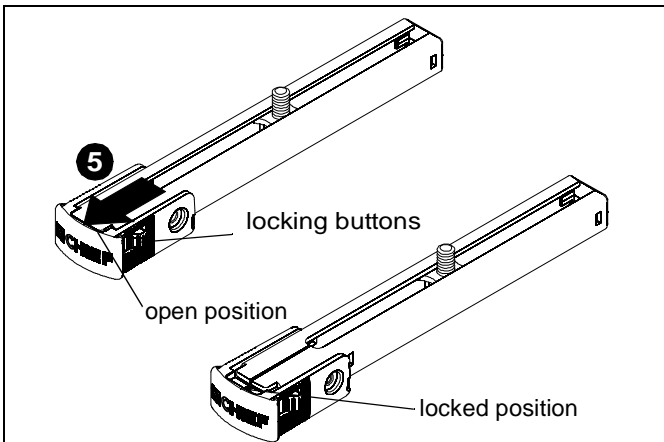


Figure 5

- Maneuver legs so that sliding stud mount brackets and screws are towards the middle of the projector. (See Figure 5) and (See Figure 6)
- Position sliding stud mount brackets and screws so that SLBU or SLMU main plate can be evenly mounted to legs. (See Figure 5) and (See Figure 6)
- Use 1/4" hex key (L) to secure Allen nuts (K) to screws on sliding stud mounts. (See Figure 5) and (See Figure 6)

NOTE: The example below is one of many possible scenarios based on typical examples of mounting hole patterns. Specific connection points will vary based on the hole pattern. Multiple scenarios may be used for each specific hole pattern as long as the weight of the projector is centered and balanced after mounting.

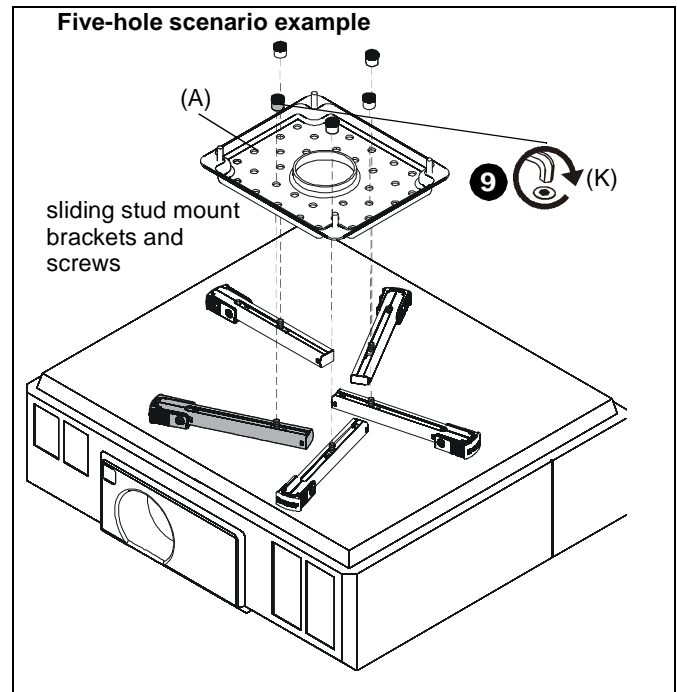


Figure 6

Refer to SLBU/SLMU installation instructions to complete installation to projector mount.



Our Mounts. **Your Vision.**

Chief, a products division of
Milestone AV Technologies

8800-002783 Rev00
©2015 Milestone AV Technologies
www.chiefmfg.com
09/15

USA/International	A 6436 City West Parkway, Eden Prairie, MN 55344
	P 800.582.6480 / 952.225.6000
	F 877.894.6918 / 952.894.6918
Europe	A Franklinstraat 14, 6003 DK Weert, Netherlands
	P +31 (0) 495 580 852
	F +31 (0) 495 580 845
Asia Pacific	A Office No. 918 on 9/F, Shatin Galleria 18-24 Shan Mei Street Fotan, Shatin, Hong Kong
	P 852 2145 4099
	F 852 2145 4477

