

INSTALLATION INSTRUCTIONS

SSB-067, SSM-067, SLB-067 and SLM-067 Interface Brackets

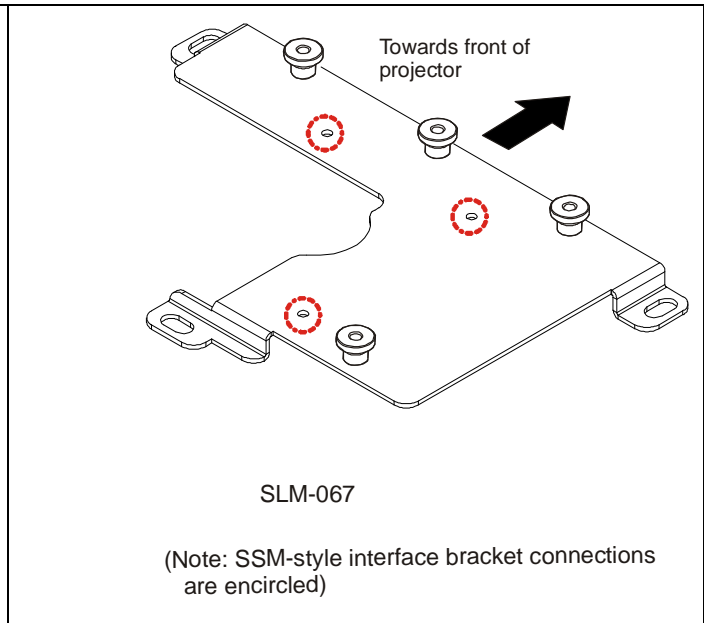
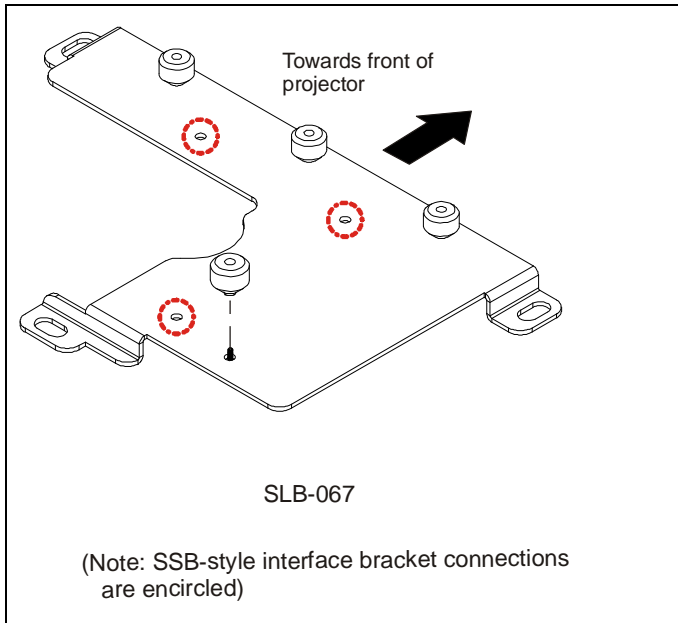
SSB-067, SSM-067, SLB-067 and SLM-067 Interface Brackets are designed for use with Chief® Series Projector Mounts. See the specific installation instructions provided with the mount for additional installation information.

Unpack carton and verify kit contents. If any listed parts are missing, immediately contact a Chief Customer Service representative.

WARNING: IMPROPER INSTALLATION CAN LEAD TO EQUIPMENT FALLING CAUSING SERIOUS PERSONAL INJURY AND DAMAGE TO EQUIPMENT! DO NOT substitute hardware. Use only hardware supplied by manufacturer!

- (1) Interface Bracket
- (4) 10 - 24 Thumb Nuts**
- (1) All-Points Security Kit

- (3) M6 Flat washers
- (3) M6 x 10mm Pan Head Screws



**Only used when installing SLB/SSB interface brackets.

NOTE: Specific to SSB-style and SSM-style interface bracket installation, all appropriate screws come pre-installed as reflected in the encircled locations above. DO NOT attempt to substitute and USE ONLY this pre-installed hardware for SSB-style and SSM-style interface bracket installation.

Installation Instructions

WARNING: OVER TIGHTENING OF SCREWS CAN DAMAGE PARTS AND CAN LEAD TO SERIOUS PERSONAL INJURY AND DAMAGE TO EQUIPMENT! DO NOT over tighten screws when installing Interface bracket.

NOTE: Step 1 is only required when installing an SLB/SSB interface bracket. If an SLM/SSM bracket is being installed, proceed to step 2.

1. Screw thumb screws onto 10-24 x 5/8" Phillips pan head screws. DO NOT fully tighten thumb screws at this time.
2. Turn projector upside down on a flat surface.
3. Place the interface bracket onto the bottom of the projector and align the holes in the bracket with the threaded inserts in the bottom of the projector.
4. Place the M6 x 10mm mounting screws and washers into the mounting holes, secure interface bracket to projector and tighten all fasteners at this time.

NOTE: Security screws can be substituted when mounting interface bracket to projector by using the parts and installation instructions in the All-Points Security Kit.

Chief® is a registered trademark of Milestone AV Technologies. All rights reserved.



Milestone AV Technologies, and its affiliated corporations and subsidiaries (collectively, "Milestone"), intend to make this manual accurate and complete. However, Milestone makes no claim that the information contained herein covers all details, conditions or variations, nor does it provide for every possible contingency in connection with the installation or use of this product. The information contained in this document is subject to change without notice or obligation of any kind. Milestone makes no representation of warranty, expressed or implied, regarding the information contained herein. Milestone assumes no responsibility for accuracy, completeness or sufficiency of the information contained in this document.