

# INSTALLATION INSTRUCTIONS

## SLB-079 and SLM-079 Interface Brackets

for TOSHIBA TDP-S20, TDP-SW20

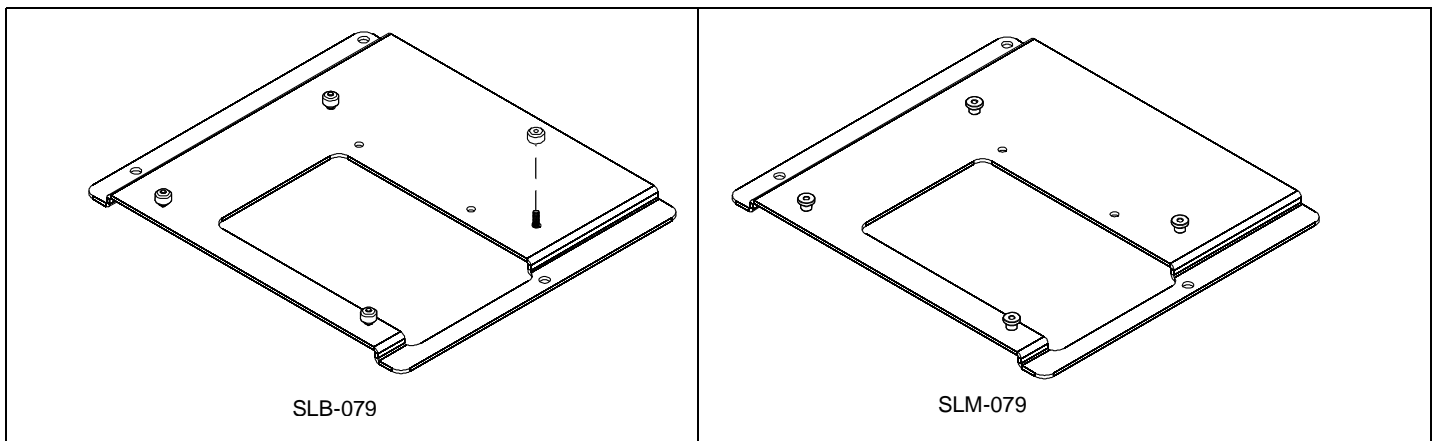
SLB and SLM series Interface brackets are designed for use with Chief RPA, RPM, and Smart-Lift series projector mounts. See the specific installation instructions provided with the mount for additional installation information.

Unpack carton and verify kit contents. If any listed parts are missing, immediately contact a Chief Customer Service representative by calling 1-800-582-6480.



**WARNING: IMPROPER INSTALLATION CAN LEAD TO EQUIPMENT FALLING CAUSING SERIOUS PERSONAL INJURY AND DAMAGE TO EQUIPMENT! DO NOT substitute hardware. Use only hardware supplied by manufacturer!**

- |                             |                                    |
|-----------------------------|------------------------------------|
| (1) Interface Bracket       | (3) WASHER, Flat, M4               |
| (4) 10-24 Thumb Nuts **     | (3) SCREW, Phillips head, M4 x 8mm |
| (1) All-Points Security Kit | (1) KEY, 5/32"                     |



\*\*Only used when installing SLB Interface brackets.

### Installation:



**WARNING: OVERTIGHTENING OF SCREWS CAN DAMAGE PARTS AND LEAD TO SERIOUS PERSONAL INJURY AND DAMAGE TO EQUIPMENT! DO NOT over tighten screws when installing interface brackets.**

**NOTE:** Step 1 is only required when installing an SLB Interface bracket. If an SLM bracket is being installed proceed to step 2.

1. Screw four thumb screws onto four 10-24 x 5/8" Philips pan head screws. DO NOT fully tighten thumb screws at this time.
2. Turn projector upside down on a flat surface.
3. Place the interface bracket onto the bottom of the projector lining up the three holes in the bracket with the three threaded inserts in the bottom of the projector.
4. Using the three M4 X 8mm mounting screws and three M4 flat washers, start them into the mounting holes by hand and secure all three fasteners at this time.

**NOTE:** Security screws can be substituted when mounting Interface bracket to projector by using the parts and installation instructions in the All-Points Security Kit.

Milestone AV Technologies, Inc., and its affiliated corporations and subsidiaries (collectively, "Milestone"), intend to make this manual accurate and complete. However, Milestone makes no claim that the information contained herein covers all details, conditions or variations, nor does it provide for every possible contingency in connection with the installation or use of this product. The information contained in this document is subject to change without notice or obligation of any kind. Milestone makes no representation of warranty, expressed or implied, regarding the information contained herein. Milestone assumes no responsibility for accuracy, completeness or sufficiency of the information contained in this document.

Chief® is a trademark of Milestone AV Technologies, Inc. All rights reserved.