

INSTALLATION INSTRUCTIONS

SSB-116, SSM-116, SLB-116 and SLM-116 Interface Brackets

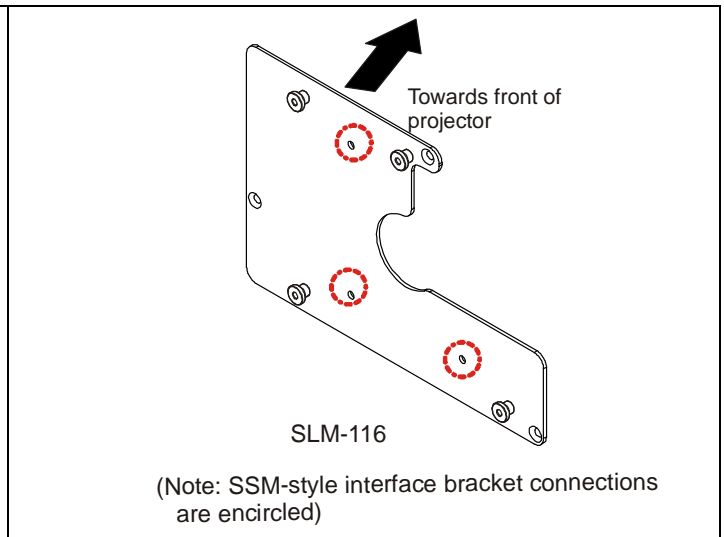
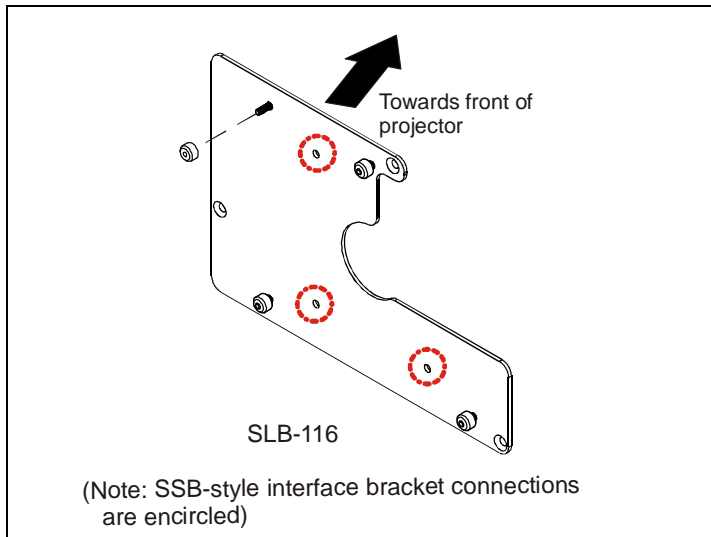
SSB-116, SSM-116, SLB-116 and SLM-116 Interface Brackets are designed for use with Chief® Series Projector Mounts. See the specific installation instructions provided with the mount for additional installation information.

Unpack carton and verify kit contents. If any listed parts are missing, immediately contact a Chief Customer Service representative.



WARNING: IMPROPER INSTALLATION CAN LEAD TO EQUIPMENT FALLING CAUSING SERIOUS PERSONAL INJURY AND DAMAGE TO EQUIPMENT! DO NOT substitute hardware. Use only hardware supplied by manufacturer!

- | | |
|--------------------------------------|---|
| (1) Interface Bracket | (1) 1/2" x .194" x 1/2" Round Spacer |
| (4) 10 - 24 Thumb Nuts** | (1) 1/2" x .194" x 3/8" Nylon Spacer |
| (1) All-Points Security Kit | (1) Screw, Phillips Flat Head, Machine, M4 x 20mm |
| (1) 1/2" x .218" x 1/4" Round Spacer | (1) Screw, Phillips Flat Head, Machine, M4 x 16mm |
| | (1) Screw, Phillips Flat Head, Machine, M4 x 12mm |



**Only used when installing SLB/SSB interface brackets.

NOTE: Specific to SSB-style and SSM-style interface bracket installation, all appropriate screws come pre-installed as reflected in the encircled locations above. DO NOT attempt to substitute and USE ONLY this pre-installed hardware for SSB-style and SSM-style interface bracket installation.

Installation Instructions



WARNING: OVER TIGHTENING OF SCREWS CAN DAMAGE PARTS AND CAN LEAD TO SERIOUS PERSONAL INJURY AND DAMAGE TO EQUIPMENT! DO NOT over tighten screws when installing interface bracket.

NOTE: Step 1 is only required when installing an SLB/SSB interface bracket. If an SLM/SSM bracket is being installed, proceed to step 2.

1. Screw thumb screws onto the 10-24 x 5/8" Phillips pan head screws. DO NOT fully tighten thumb screws at this time.
2. Turn projector upside down.
3. Place 1/4", 1/2" and 3/8" spacers over the threaded inserts in bottom of projector.
4. Place interface bracket onto projector bottom and align the mounting holes in bracket with the threaded inserts in projector.
5. Secure interface bracket to projector using M4 x 20mm Phillips flat head screw, M4 x 16mm Phillips flat head screw and M4 x 12mm Phillips flat head screw. Tighten all fasteners at this time.

NOTE: Security screws can be substituted when mounting Interface bracket to projector by using the parts and installation instructions in the All-Points Security Kit.

Chief® is a registered trademark of Milestone AV Technologies. All rights reserved.



Milestone AV Technologies, and its affiliated corporations and subsidiaries (collectively, "Milestone"), intend to make this manual accurate and complete. However, Milestone makes no claim that the information contained herein covers all details, conditions or variations, nor does it provide for every possible contingency in connection with the installation or use of this product. The information contained in this document is subject to change without notice or obligation of any kind. Milestone makes no representation of warranty, expressed or implied, regarding the information contained herein. Milestone assumes no responsibility for accuracy, completeness or sufficiency of the information contained in this document.