

INSTALLATION INSTRUCTIONS

SLB-184 and SLM-184 Interface Brackets

SLB and SLM series Interface brackets are designed for use with Chief RPA, RPM, and Smart-Lift series projector mounts. See the specific installation instructions provided with the mount for additional installation information.

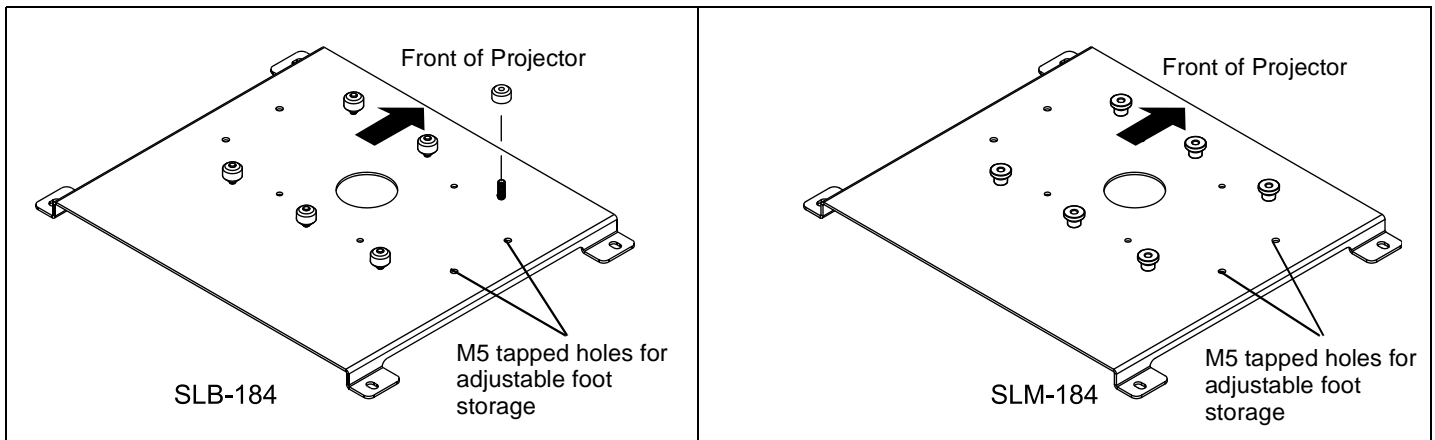
Unpack carton and verify kit contents. If any listed parts are missing, immediately contact a Chief Customer Service representative by calling 1-800-582-6480.



WARNING: IMPROPER INSTALLATION CAN LEAD TO EQUIPMENT FALLING CAUSING SERIOUS PERSONAL INJURY AND DAMAGE TO EQUIPMENT! DO NOT substitute hardware. Use only hardware supplied by manufacturer!

- (1) Interface Bracket
- (6) 10-24 Thumb Nuts **
- (1) All-Points Security Kit

- (4) Screw, Philips Pan Head, Machine, M5 x 25mm
- (4) Washer, M5



**Only used when installing SLB Interface brackets.

Installation:



WARNING: OVERTIGHTENING OF SCREWS CAN DAMAGE PARTS AND LEAD TO SERIOUS PERSONAL INJURY AND DAMAGE TO EQUIPMENT! DO NOT over tighten screws when installing interface brackets.

NOTE: Step 1 is only required when installing an SLB Interface bracket. If an SLM bracket is being installed proceed to step 2.

1. Screw six thumb screws onto six 10-24 x 5/8" Philips pan head screws. DO NOT fully tighten thumb screws at this time.
2. Turn projector upside down on a flat surface.
3. Remove four adjustable feet in the bottom of projector.
4. Place interface bracket onto the bottom of the projector so the center hole is closer to the front of the projector well lining up the four holes in the bracket with the four threaded inserts in the bottom of the projector.
5. Using the four M5 X 25mm mounting screws and M5 washers, start them into the mounting holes by hand and secure all four fasteners at this time.




CAUTION: When attaching the mount be careful not to over tighten mounting screws.

6. Find the four M5 threaded holes provided in the bracket and thread one adjustable foot into each hole provided one to two turns.

CSAV, Inc., and its affiliated corporations and subsidiaries (collectively, "CSAV"), intend to make this manual accurate and complete. However, CSAV makes no claim that the information contained herein covers all details, conditions or variations, nor does it provide for every possible contingency in connection with the installation or use of this product. The information contained in this document is subject to change without notice or obligation of any kind. CSAV makes no representation of warranty, expressed or implied, regarding the information contained herein. CSAV assumes no responsibility for accuracy, completeness or sufficiency of the information contained in this document.

INSTALLATION INSTRUCTIONS

Continued

 **CAUTION:** When screwing the adjustable feet into the four storage holes, make sure not to screw them in too far or you could damage your projector by hitting the plastic shell of the projector. These feet should not be tight; these holes are only to store the feet so they can be used again at a future time.

NOTE: Security screws can be substituted when mounting the Interface bracket to the projector by using the parts and installation instructions in the All-Points Security Kit.