

INSTALLATION INSTRUCTIONS

SLM-307 Interface Brackets

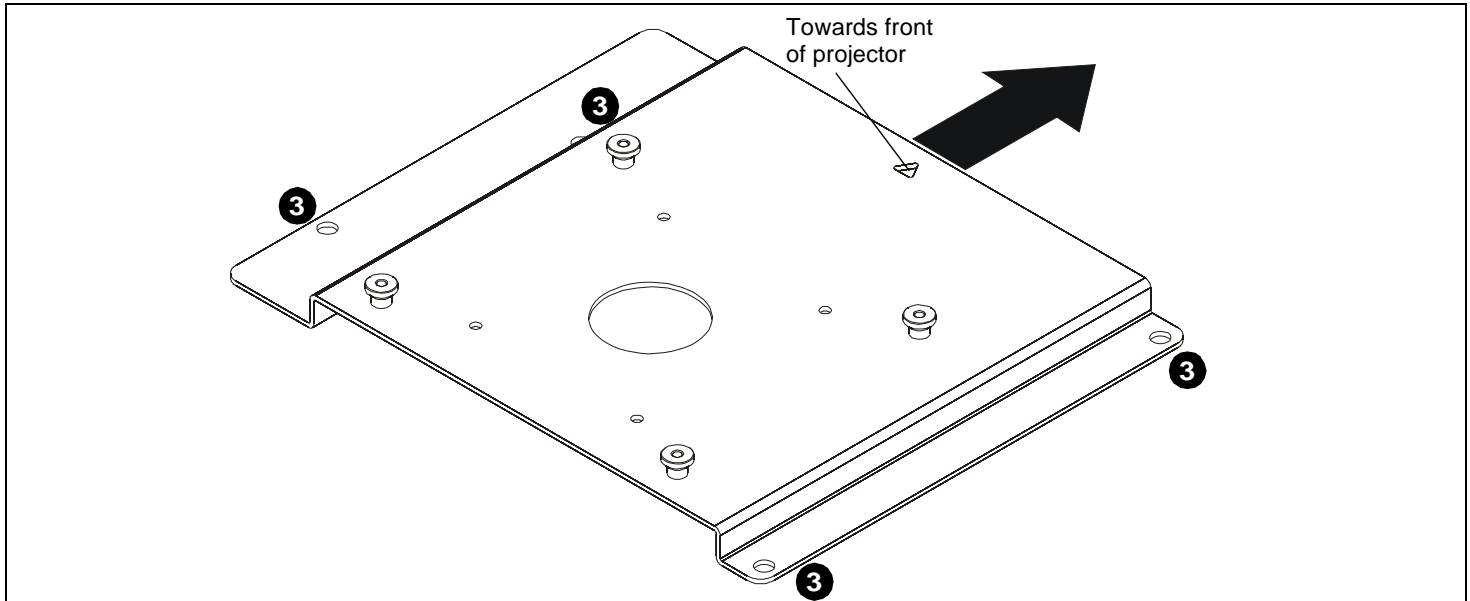
SLM-307 Interface Brackets are designed for use with Christie® RPM Projector Mounts. See the specific installation instructions provided with the mount for additional installation information.

Unpack carton and verify kit contents. If any listed parts are missing, immediately contact a Christie Customer Service representative. See RPM installation instructions for complete international contact information.



WARNING: IMPROPER INSTALLATION CAN LEAD TO EQUIPMENT FALLING CAUSING SERIOUS PERSONAL INJURY AND DAMAGE TO EQUIPMENT! DO NOT substitute hardware. Use only hardware supplied by manufacturer!

- | | |
|-----------------------------|---|
| (1) Interface Bracket | (4) Screw, Phillips Pan Head, Machine, M6 x12mm |
| (4) M6 washers | |
| (1) All-Points Security Kit | |
| (1) 5/32" Security Hex Key | |



Installation Instructions



WARNING: OVER TIGHTENING OF SCREWS CAN DAMAGE PARTS AND CAN LEAD TO SERIOUS PERSONAL INJURY AND DAMAGE TO EQUIPMENT! DO NOT over tighten screws when installing interface brackets.

1. Turn projector upside down on a flat surface.
2. Place the interface bracket onto the bottom of the projector, aligning the mounting holes in the bracket with the threaded inserts in the bottom of the projector and ensuring that triangle in bracket points towards front of projector.
3. Place M6 x 12mm mounting screws through M6 washers and into four mounting holes on interface bracket corners and into projector mounting holes.
4. Tighten all fasteners at this time, securing the bracket to the projector.

NOTE: Security screws can be substituted when mounting Interface bracket to projector by using the parts and installation instructions in the All-Points Security Kit.

Christie® is a registered trademark of Christie Digital Systems, Inc. All rights reserved.



Christie Digital Systems, Inc. and its affiliated corporations and subsidiaries (collectively, "Christie"), intend to make this manual accurate and complete. However, Christie makes no claim that the information contained herein covers all details, conditions or variations, nor does it provide for every possible contingency in connection with the installation or use of this product. The information contained in this document is subject to change without notice or obligation of any kind. Christie makes no representation of warranty, expressed or implied, regarding the information contained herein. Christie assumes no responsibility for accuracy, completeness or sufficiency of the information contained in this document.

CHRISTIE®

Christie Digital Systems, Inc.
10550 Camden Drive, Cypress, CA 90630

8800-002294 Rev01
©2012 Christie Digital Systems, Inc.

• P: 800.582.6480 / 952.225.6000 • F: 877.894.6918 / 952.894.6918

11/12