

INSTALLATION INSTRUCTIONS

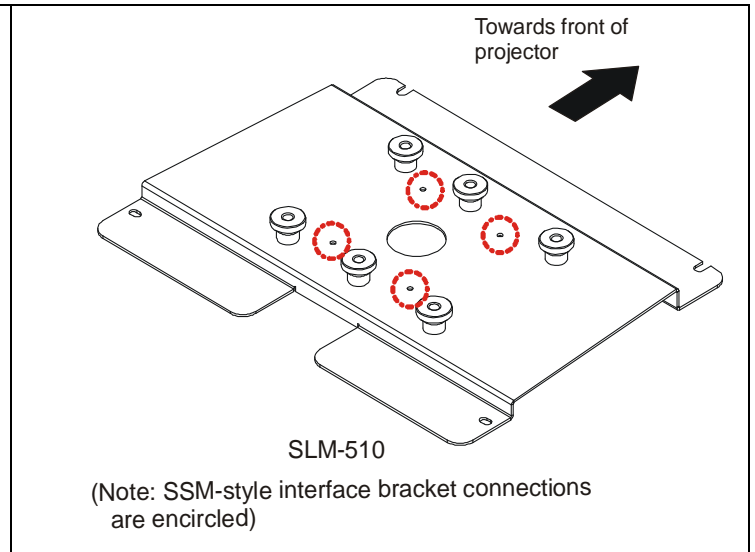
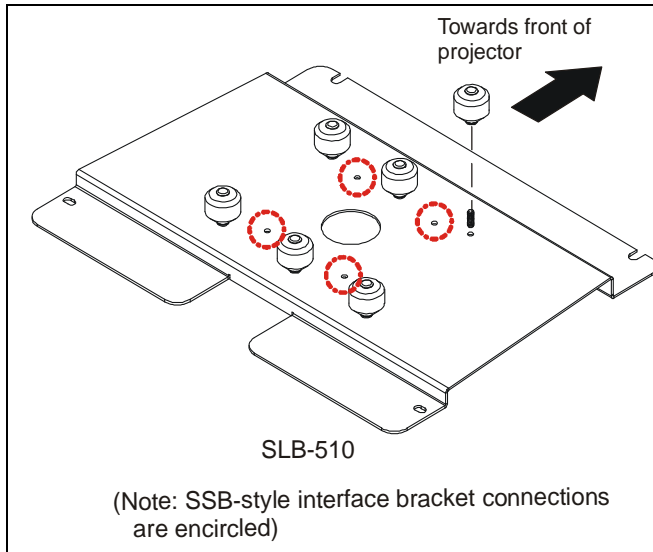
SSB-510, SSM-510, SLB-510 and SLM-510 Interface Brackets

SSB-510, SSM-510, SLB-510 and SLM-510 Interface Brackets are designed for use with Chief® Series Projector Mounts. See the specific installation instructions provided with the mount for additional installation information.

Unpack carton and verify kit contents. If any listed parts are missing, immediately contact a Chief Customer Service representative.

WARNING: IMPROPER INSTALLATION CAN LEAD TO EQUIPMENT FALLING CAUSING SERIOUS PERSONAL INJURY AND DAMAGE TO EQUIPMENT! DO NOT substitute hardware. Use only hardware supplied by manufacturer!

- | | |
|-----------------------------|-----------------------------|
| (1) Interface Bracket | (2) 10-24 Nylock Nuts |
| (6) 10 - 24 Thumb Nuts** | (4) Felt Squares |
| (1) All-Points Security Kit | (1) U-Form Rods |
| (2) #10 Flat washers | (2) M4 x 8mm Machine Screws |
| (2) M4 Flat washers | |



**Only used when installing SLB/SSB interface brackets.

NOTE: Specific to SSB-style and SSM-style interface bracket installation, all appropriate screws come pre-installed as reflected in the encircled locations above. DO NOT attempt to substitute and USE ONLY this pre-installed hardware for SSB-style and SSM-style interface bracket installation.

Installation Instructions

WARNING: OVER TIGHTENING OF SCREWS CAN DAMAGE PARTS AND CAN LEAD TO SERIOUS PERSONAL INJURY AND DAMAGE TO EQUIPMENT! DO NOT over tighten screws when installing Interface bracket.

NOTE: Step 1 is only required when installing an SLB/SSB interface bracket. If an SLM/SSM bracket is being installed, proceed to step 2.

1. Screw thumb screws onto 10-24 x 5/8" Phillips pan head screws. DO NOT fully tighten thumb screws at this time.
2. Turn projector upside down on a flat surface.
3. Using M4 machine screws and M4 washers, attach interface bracket to projector.
4. Using 10-24 Nylock nuts and #10 flat washers, attach the U-Form Rod around the projector and up through the holes in the bracket.
5. Secure interface bracket to projector by tightening all fasteners at this time.

NOTE: Felt squares are provided to protect projector shell, if desired. They can be attached to the projector or be wrapped around the U-Form Rod. Security screws can be substituted when mounting interface bracket to projector by using the parts and installation instructions in the All-Points Security Kit.

Chief® is a registered trademark of Milestone AV Technologies. All rights reserved.



Milestone AV Technologies, and its affiliated corporations and subsidiaries (collectively, "Milestone"), intend to make this manual accurate and complete. However, Milestone makes no claim that the information contained herein covers all details, conditions or variations, nor does it provide for every possible contingency in connection with the installation or use of this product. The information contained in this document is subject to change without notice or obligation of any kind. Milestone makes no representation of warranty, expressed or implied, regarding the information contained herein. Milestone assumes no responsibility for accuracy, completeness or sufficiency of the information contained in this document.