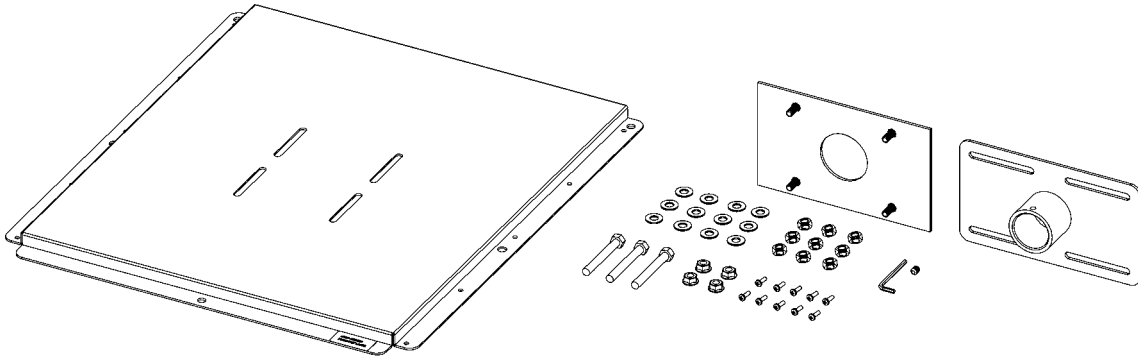


# INSTALLATION INSTRUCTIONS

## SMA-601 MOUNTING PLATE FOR THE SMART-LIFT 150 AND SMART-LIFT 236

The SMA-601 mounting plate allows you to attach the Smart-Lift (models SL-150 and SL-236) to a 1-1/2" NPT threaded pipe (compatible with CMA-100 and CMA-110) for suspended ceiling mounting applications.



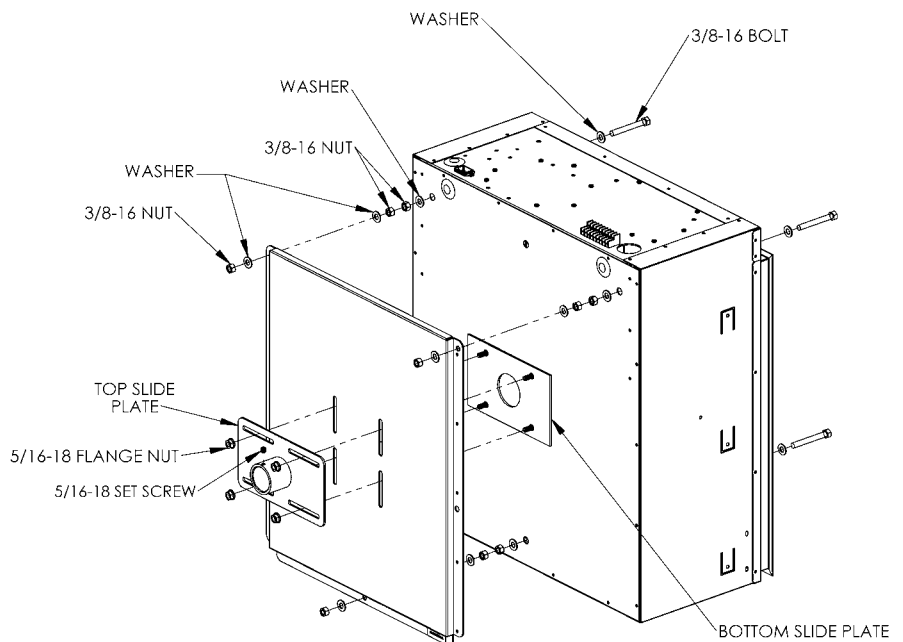
Unpack carton and check contents:

- |  |                                |
|--|--------------------------------|
| (1) Mounting Plate                         | (12) 3/8 Washers               |
| (1) Top Slide Plate                        | (9) 3/8 – 16 Nut               |
| (1) Bottom Slide Plate                     | (1) 5/16 – 18 Socket Set Screw |
| (4) 5/16 – 18 Flange Nut                   | (1) 5/32 Allen Wrench          |
| (3) 3/8-16 x 3-1/2" Tap Bolt (SL-236 only) | (10) 8-32 x 1/2" Screw         |

**CAUTION!!! The overhead support must be capable of supporting five times the combined weight of the lift and all equipment. If it cannot, it MUST be reinforced.**

### INSTALLATION INSTRUCTIONS — SL-236

1. Attach bottom slide plate, through mounting plate, to top slide plate and secure using four 5/16-18 flange-nuts on protruding studs of the bottom mounting plate (see picture).
2. Make sure Smart-Lift is fully closed. Remove bottom panel from Smart-Lift.
3. Insert three 3/8-16 x 1/2" bolts and washers in holes in top of Smart-Lift.
4. Secure mounting plate to Smart-Lift using three 3/8 – 16 nuts and washers.
5. Attach Smart-Lift to threaded pipe at desired height. Adjust distance between adapter and Smart-Lift as necessary.
6. Reinstall bottom panel.
7. See *Smart-Lift Installation Instructions*.



**INSTALLATION INSTRUCTIONS — SL-150**

1. Attach bottom slide plate, through mounting plate, to top slide plate and secure using four 5/16-18 flange-nuts on protruding studs of the bottom mounting plate (see Figure below).
2. Make sure Smart-Lift is fully closed.
3. Remove ten 8/32" x 1/2" screws along sides of Smart-Lift. Remove the top panel.
4. Secure mounting plate to Smart-Lift using ten 8/32" x 1/2" screws.
5. Attach Smart-Lift to threaded pipe.
6. *See Smart-Lift Installation Instructions.*

