
INSTALLATION INSTRUCTIONS


SL-236 Trim Kit (FD to SP)


DISCLAIMER


Milestone AV Technologies, Inc., and its affiliated corporations and subsidiaries, intend to make this manual accurate and complete. However, Milestone makes no claim that the information contained herein covers all details, conditions or variations, nor does it provide for every possible contingency in connection with the installation or use of this product. The information contained in this document is subject to change without notice or obligation of any kind. Milestone makes no representation of warranty, expressed or implied, regarding the information contained herein. Milestone assumes no responsibility for accuracy, completeness or sufficiency of the information contained in this document.


Chief® is a registered trademark of Milestone AV Technologies. All rights reserved.

IMPORTANT WARNINGS AND CAUTIONS!




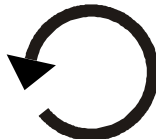
 **WARNING:** A WARNING alerts you to the possibility of serious injury or death if you do not follow the instructions.

 **CAUTION:** A CAUTION alerts you to the possibility of damage or destruction of equipment if you do not follow the corresponding instructions.

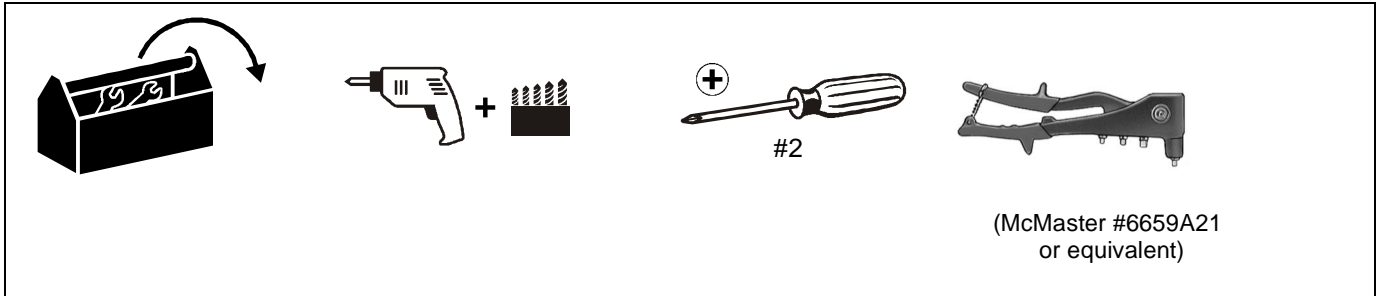
 **WARNING:** Failure to read, thoroughly understand, and follow all instructions can result in serious personal injury, damage to equipment, or voiding of factory warranty! It is the installer's responsibility to make sure all components are properly assembled and installed using the instructions provided.

 **WARNING:** Failure to provide adequate structural strength for this component can result in serious personal injury or damage to equipment! It is the installer's responsibility to make sure the structure to which this component is attached can support five times the combined weight of all equipment. Reinforce the structure as required before installing the component.

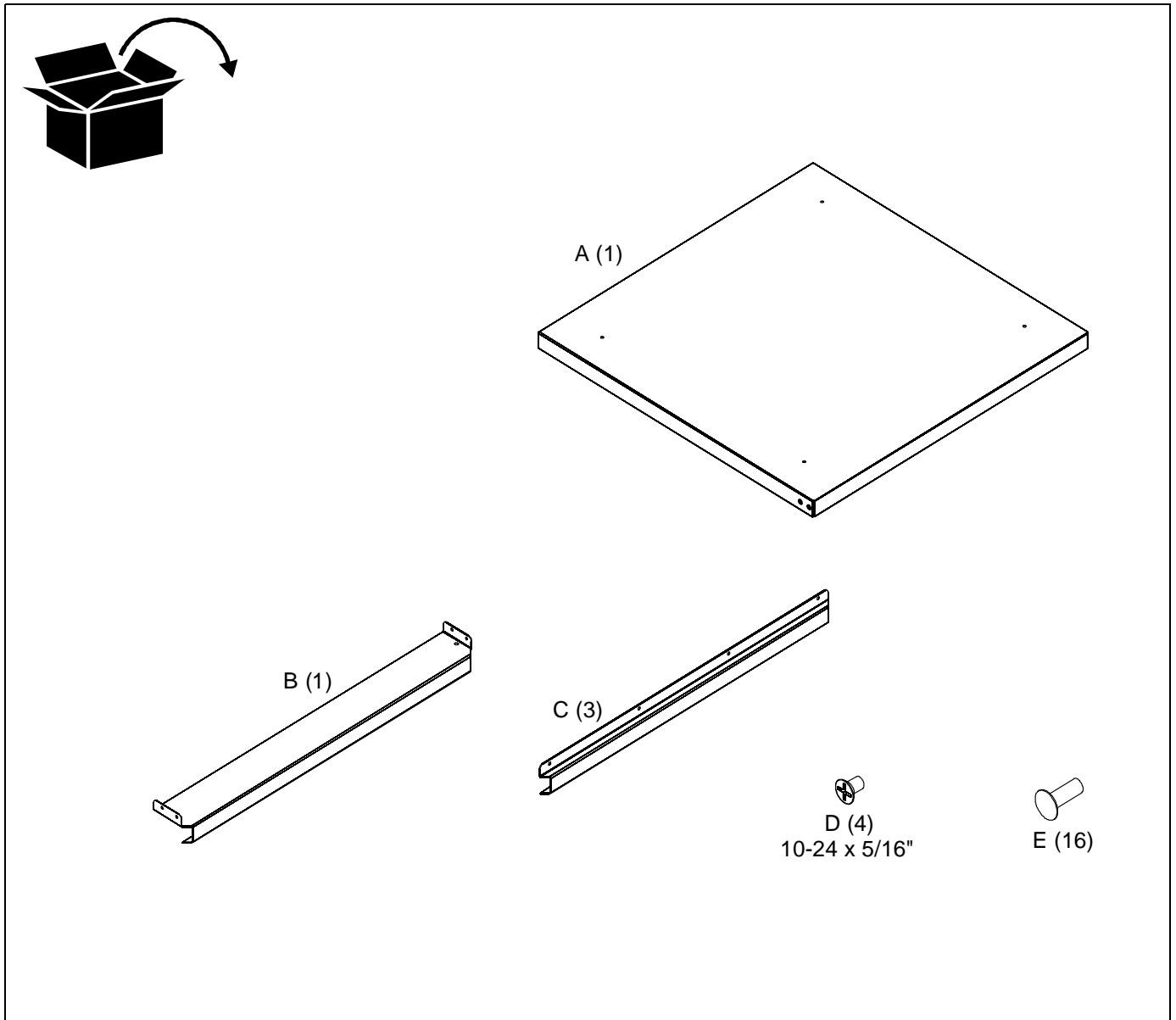
LEGEND

	Tighten Fastener		Phillips Screwdriver
	Apretar elemento de fijación		Destornillador Phillips
	Befestigungsteil festziehen		Kreuzschlitzschraubendreher
	Apertar fixador		Chave de fendas Phillips
	Serrare il fissaggio		Cacciavite a stella
	Bevestiging vastdraaien		Kruiskopschroevendraaier
Serrez les fixations	Tournevis à pointe cruciforme		Drill Hole
	Loosen Fastener		Perforar
	Aflojar elemento de fijación		Bohrloch
	Befestigungsteil lösen		Fazer furo
	Desapertar fixador		Praticare un foro
	Allentare il fissaggio		Gat boren
	Bevestiging losdraaien	Percez un trou	
Desserrez les fixations			

TOOLS REQUIRED FOR INSTALLATION



PARTS



ASSEMBLY AND INSTALLATION

1. Drill out the rivets on the sides and front trim pieces.
2. Remove and discard the sides and front trim pieces. (See Figure 1)

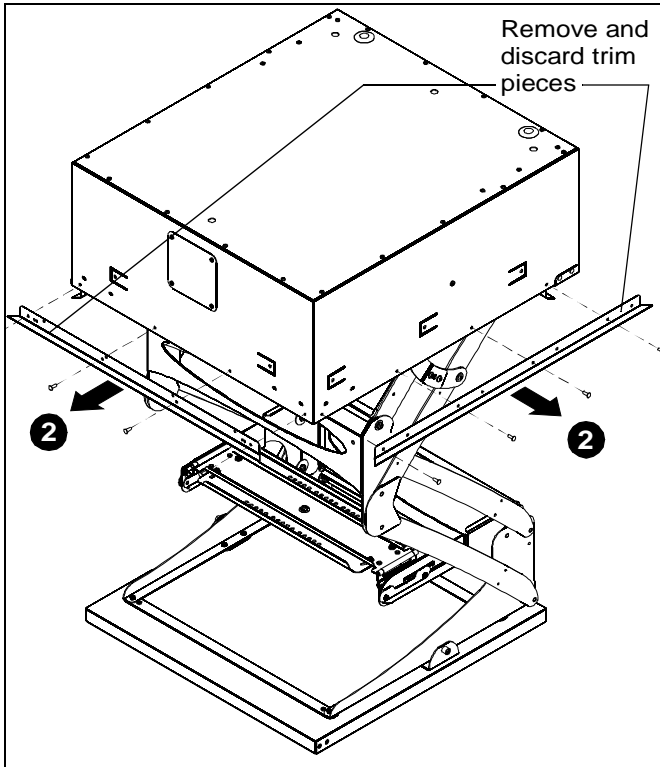


Figure 1

3. Remove six Phillips screws from rear trim piece. (See Figure 2)

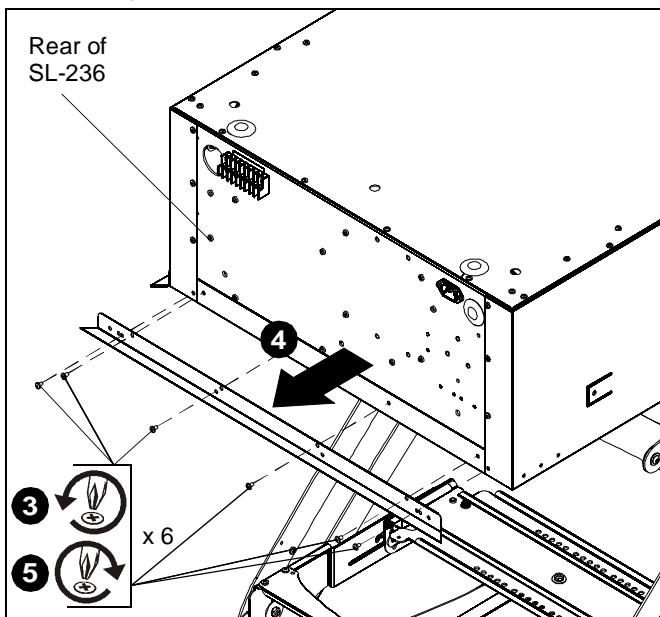


Figure 2

4. Remove and discard rear trim piece.
5. Replace six Phillips screws removed in Step 3.
6. Replace trim on sides and front with trim pieces (C), and rivet in place with rivets (E). (See Figure 3)

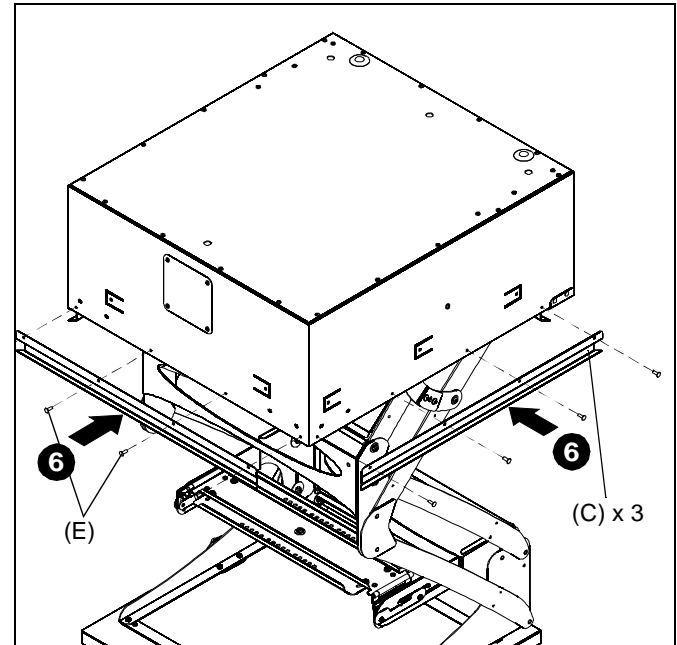


Figure 3

7. Place rear trim (B) under back of SL-236, raise into place, and secure with rivets (E). (See Figure 4)

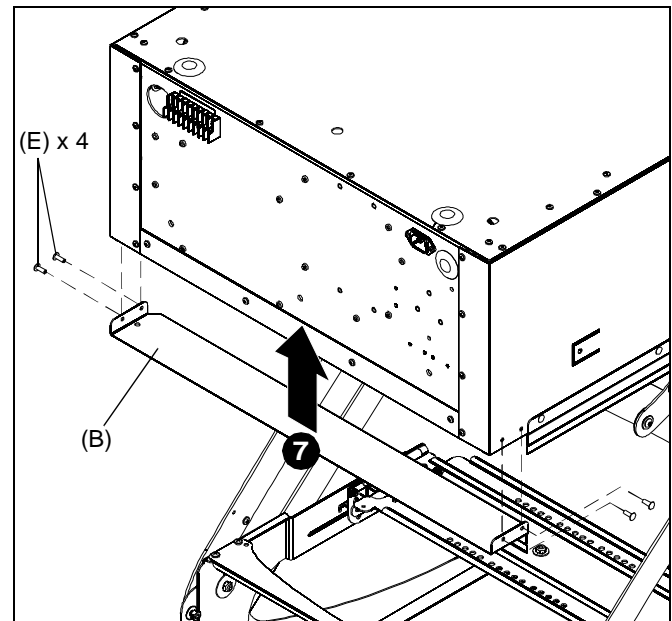


Figure 4

8. Remove existing door from SL-236.
9. Attach tile support door (A) to SL-236 using four 10-24 x 5/16" Phillips flat head screws (D). (See Figure 5)

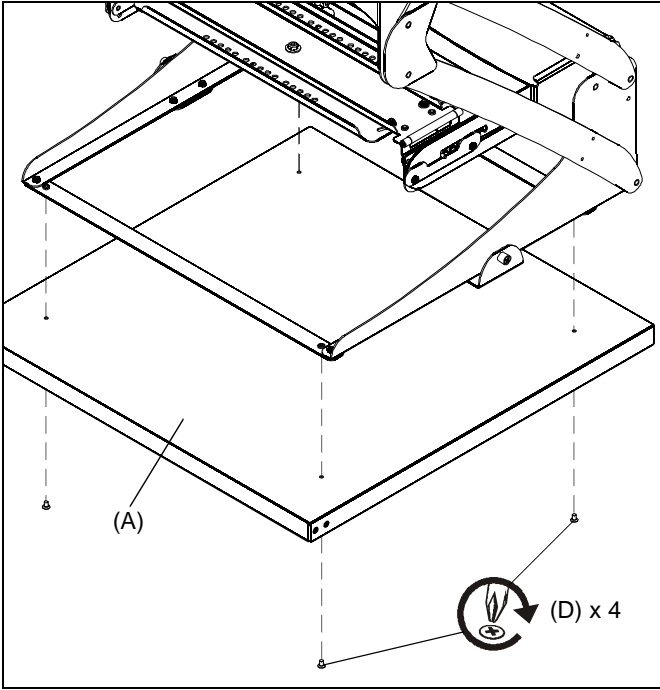


Figure 5



Our Mounts. **Your Vision.**

Chief Manufacturing, a division of
Milestone AV Technologies

8820-000031
©2008 Milestone AV Technologies
www.chiefmfg.com
06/08

USA/International	A 8401 Eagle Creek Parkway, Savage, MN 55378 P 800.582.6480 / 952.894.6280 F 877.894.6918 / 952.894.6918
Europe	A Fellenoord 130 5611 ZB EINDHOVEN, The Netherlands P +31 (0)40 2668620 F +31 (0)40 2668615
Asia Pacific	A Room 24F, Block D, Lily YinDu International Building LuoGang, BuJi Town, Shenzhen, CHINA. 深圳市布吉罗岗村百合银都国际大厦D栋24F P +86-755-8996 9226 F +86-755-8996 9217