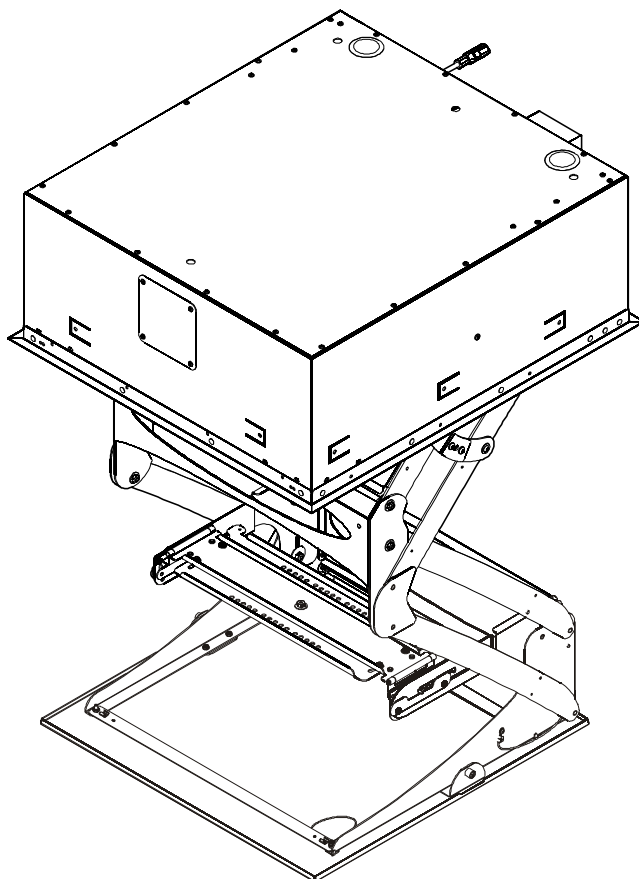

INSTALLATION INSTRUCTIONS



SL-236 Trim Kit--SP to FD

DISCLAIMER

Milestone AV Technologies and its affiliated corporations and subsidiaries (collectively "Milestone"), intend to make this manual accurate and complete. However, Milestone makes no claim that the information contained herein covers all details, conditions or variations, nor does it provide for every possible contingency in connection with the installation or use of this product. The information contained in this document is subject to change without notice or obligation of any kind. Milestone makes no representation of warranty, expressed or implied, regarding the information contained herein. Milestone assumes no responsibility for accuracy, completeness or sufficiency of the information contained in this document.

Chief® is a registered trademark of Milestone AV Technologies. All rights reserved.



IMPORTANT SAFETY INSTRUCTIONS



WARNING: A WARNING alerts you to the possibility of serious injury or death if you do not follow the instructions.



CAUTION: A CAUTION alerts you to the possibility of damage or destruction of equipment if you do not follow the corresponding instructions.



WARNING: Failure to read, thoroughly understand, and follow all instructions can result in serious personal injury, damage to equipment, or voiding of factory warranty! It is the installer's responsibility to make sure all components are properly assembled and installed using the instructions provided.



WARNING: Never operate this mounting system if it is damaged. Return the mounting system to a service center for examination and repair.



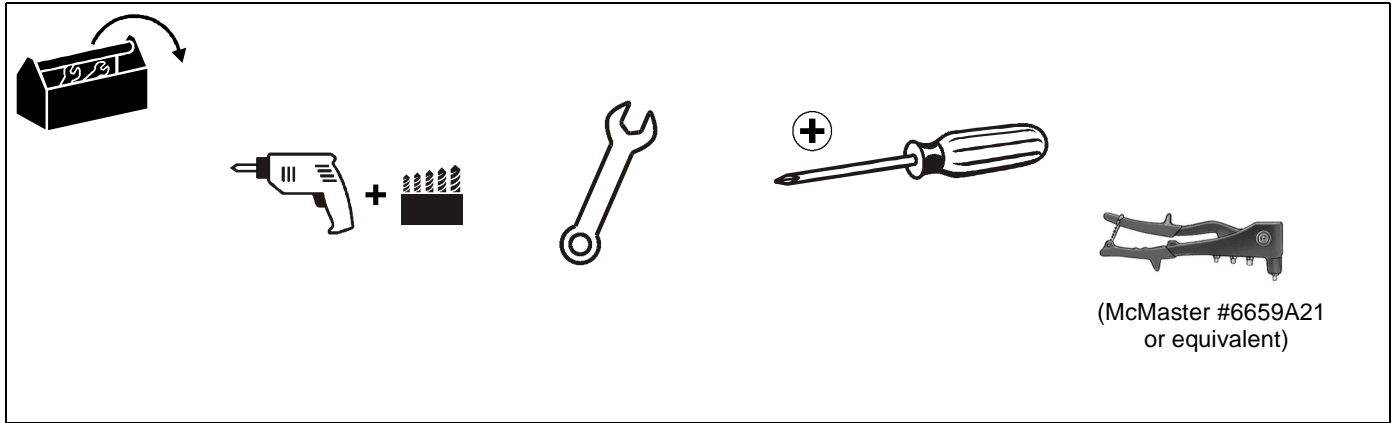
WARNING: Do not use this product outdoors.

--SAVE THESE INSTRUCTIONS--

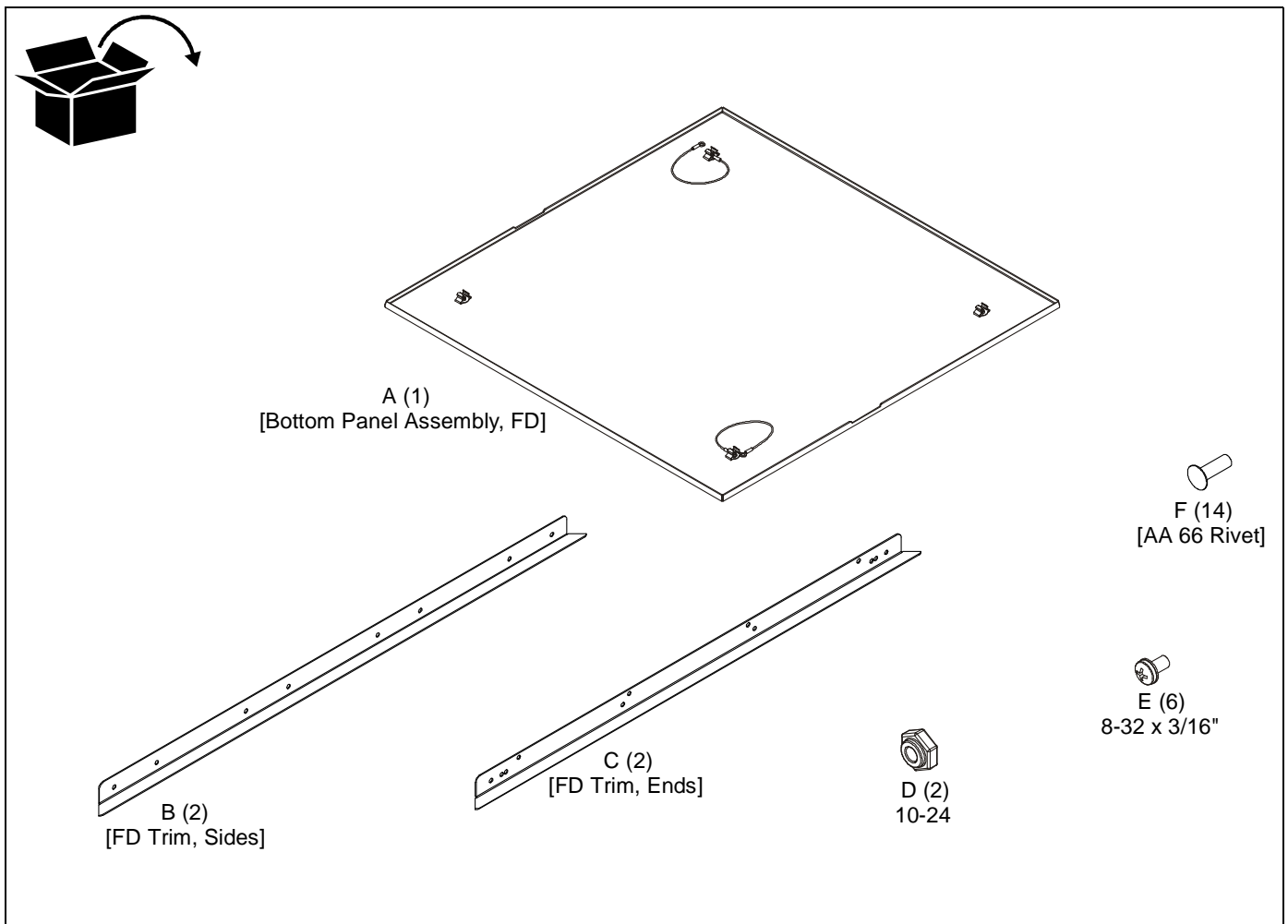
LEGEND

	Tighten Fastener		Open-Ended Wrench
	Apretar elemento de fijación		Llave de boca
	Befestigungsteil festziehen		Gabelschlüssel
	Apertar fixador		Chave de bocas
	Serrare il fissaggio		Chiave a punte aperte
	Bevestiging vastdraaien		Steeksleutel
Serrez les fixations	Clé à fourche		Drill Hole
Loosen Fastener	Perforar		
Aflojar elemento de fijación	Bohrloch		
Befestigungsteil lösen	Fazer furo		
Desapertar fixador	Praticare un foro		
Allentare il fissaggio	Gat boren		
Bevestiging losdraaien	Percez un trou		Phillips Screwdriver
Desserrez les fixations	Destornillador Phillips		
Phillips Screwdriver	Kreuzschlitzschraubendreher		
Destornillador Phillips	Chave de fendas Phillips		
Kreuzschlitzschraubendreher	Cacciavite a stella		
Chave de fendas Phillips	Kruiskopschroevendraaier		
Cacciavite a stella	Tournevis à pointe cruciforme		
Kruiskopschroevendraaier			
Tournevis à pointe cruciforme			

TOOLS REQUIRED FOR INSTALLATION



PARTS



ASSEMBLY AND INSTALLATION

1. Drill out the rivets on the sides and front trim pieces.
2. Remove and discard the sides and front trim pieces. (See Figure 1)

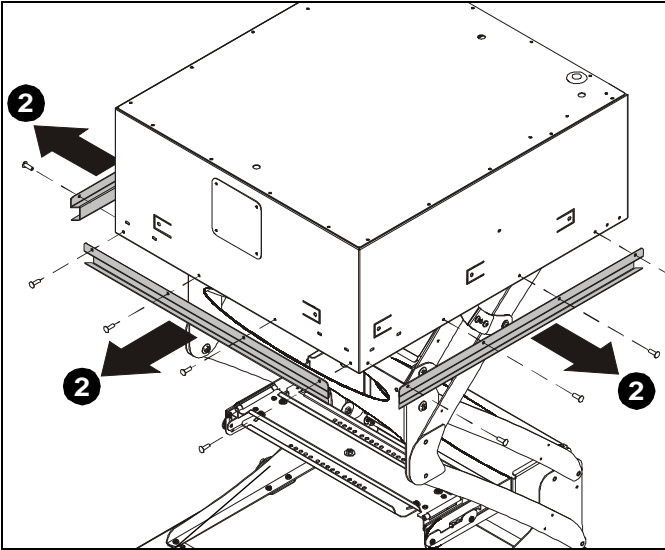


Figure 1

3. Remove four Phillips screws from rear trim piece. (See Figure 2)

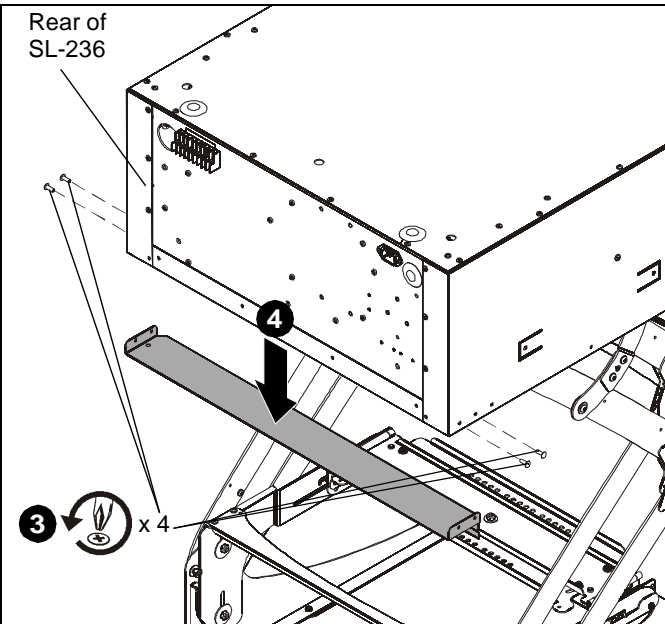


Figure 2

4. Remove and discard rear trim piece.
5. Place side trim pieces (B) on sides and rivet in place with rivets (F). (See Figure 3)

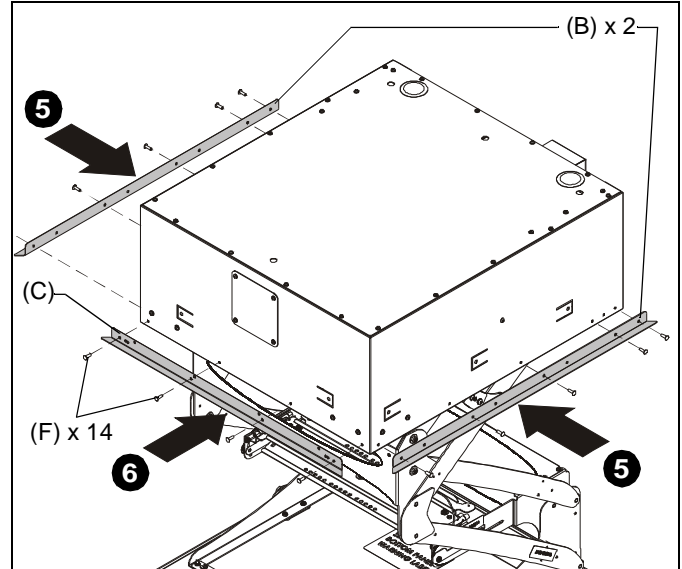


Figure 3

6. Place one end trim piece (C) on front and rivet in place with rivets (F). (See Figure 3)
7. Remove six Phillips screws from rear of SL-236. (See Figure 4)

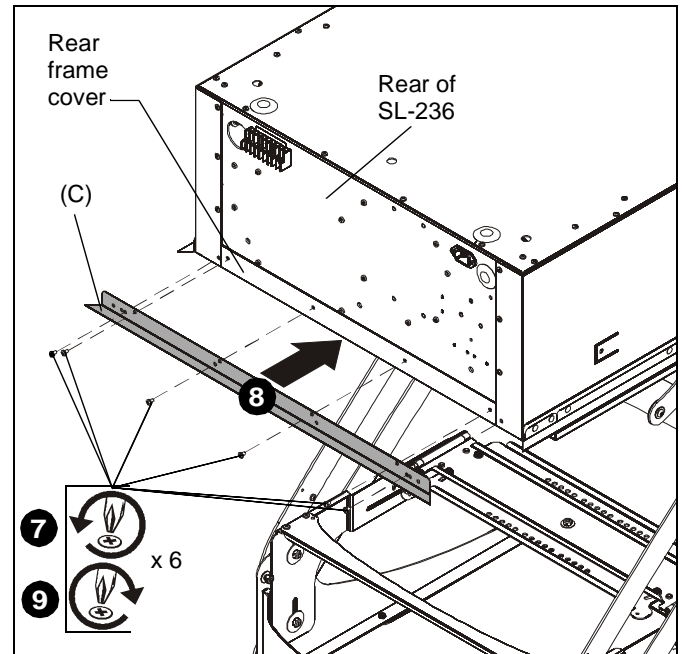


Figure 4

8. Add end trim piece (C) over outside edge of rear frame cover.
9. Reinsert and tighten six Phillips pan head screws removed in Step 7. (See Figure 4)

NOTE: The 8-32 x 3/16" Phillips pan head screws (E) may be used as replacement for the screws removed in Step 7, if necessary.

10. Loosen and remove two 10-24 nuts and cables from opposite corners of the SL-236. (See Figure 5)
11. Remove and pull bottom panel away from SL-236. (See Figure 5)

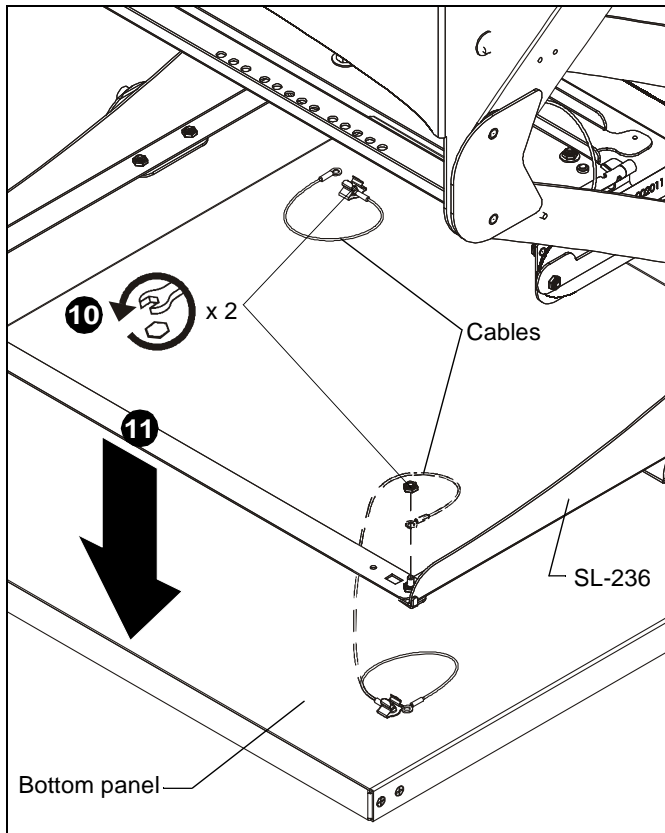


Figure 5

12. Raise bottom panel assembly (A) up to SL-236 and insert spring clips into rectangular holes on SL-236 frame. (See Figure 6)

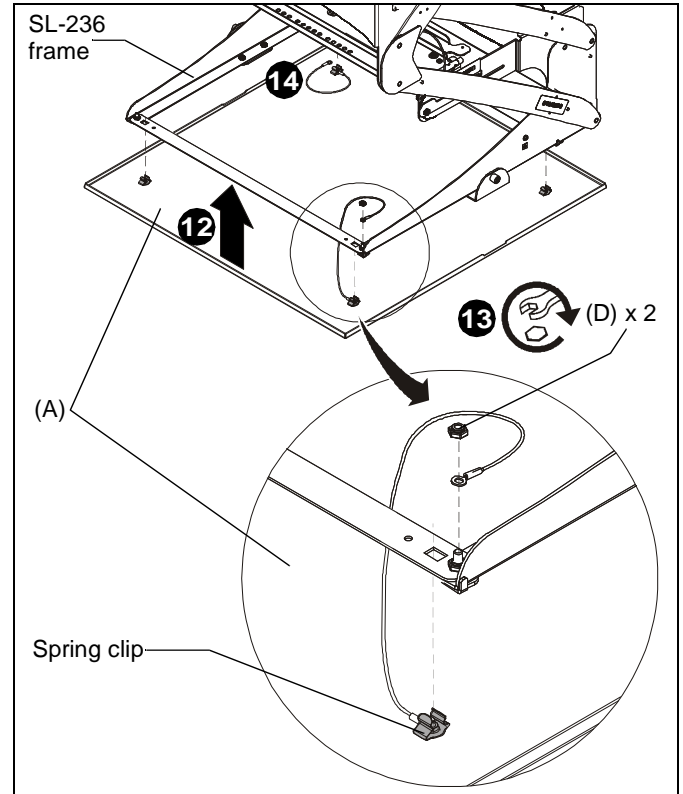


Figure 6

13. In corner with cable, install cable onto SL-236 frame and fasten with 10-24 nut (D). (See Figure 6)
14. Repeat in opposite corner of ceiling panel. (See Figure 6)
15. Continue installation following the SL-236 installation instructions.



Our Mounts. **Your Vision.**

Chief Manufacturing, a products division
of Milestone AV Technologies

8800-002160 Rev00
©2012 Milestone AV Technologies, a
Duchossois Group Company
www.chiefmfg.com
03/12

USA/International	A 6436 City West Parkway, Eden Prairie, MN 55344
	P 800.582.6480 / 952.225.6000
	F 877.894.6918 / 952.894.6918
Europe	A Franklinstraat 14, 6003 DK Weert, Netherlands
	P +31 (0) 495 580 852
	F +31 (0) 495 580 845
Asia Pacific	A Office No. 1 on 12/F, Shatin Galleria 18-24 Shan Mei Street Fotan, Shatin, Hong Kong
	P 852 2145 4099
	F 852 2145 4477

