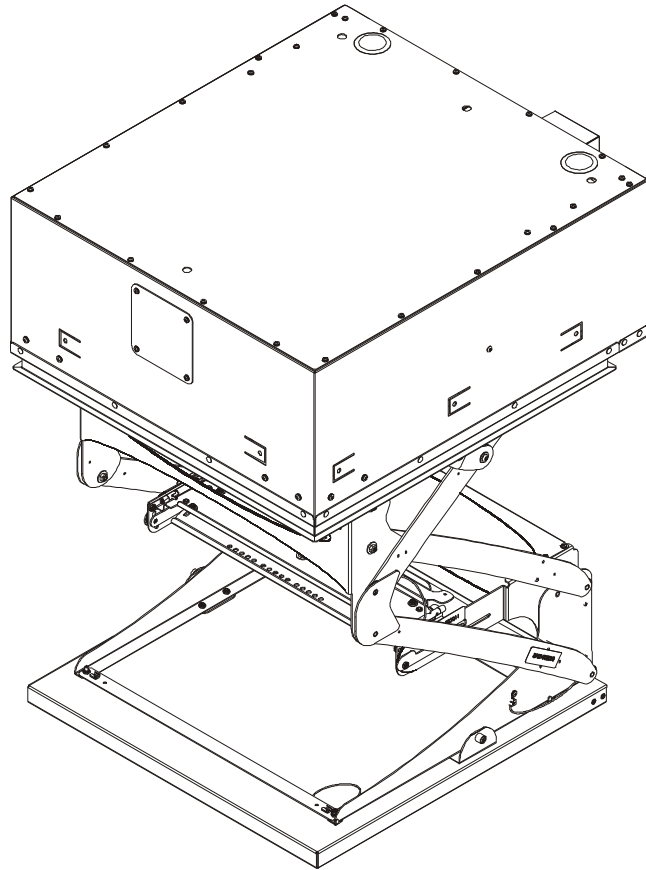


---

# INSTALLATION INSTRUCTIONS

---



---

## SL-236 Trim Kit - FD to SP


---


## DISCLAIMER


Milestone AV Technologies and its affiliated corporations and subsidiaries (collectively "Milestone"), intend to make this manual accurate and complete. However, Milestone makes no claim that the information contained herein covers all details, conditions or variations, nor does it provide for every possible contingency in connection with the installation or use of this product. The information contained in this document is subject to change without notice or obligation of any kind. Milestone makes no representation of warranty, expressed or implied, regarding the information contained herein. Milestone assumes no responsibility for accuracy, completeness or sufficiency of the information contained in this document.


Chief® is a registered trademark of Milestone AV Technologies. All rights reserved.


## IMPORTANT SAFETY INSTRUCTIONS

 **WARNING:** A WARNING alerts you to the possibility of serious injury or death if you do not follow the instructions.

 **CAUTION:** A CAUTION alerts you to the possibility of damage or destruction of equipment if you do not follow the corresponding instructions.




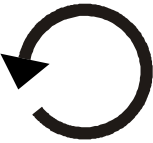
 **WARNING:** Failure to read, thoroughly understand, and follow all instructions can result in serious personal injury, damage to equipment, or voiding of factory warranty! It is the installer's responsibility to make sure all components are properly assembled and installed using the instructions provided.

 **WARNING:** Never operate this mounting system if it is damaged. Return the mounting system to a service center for examination and repair.

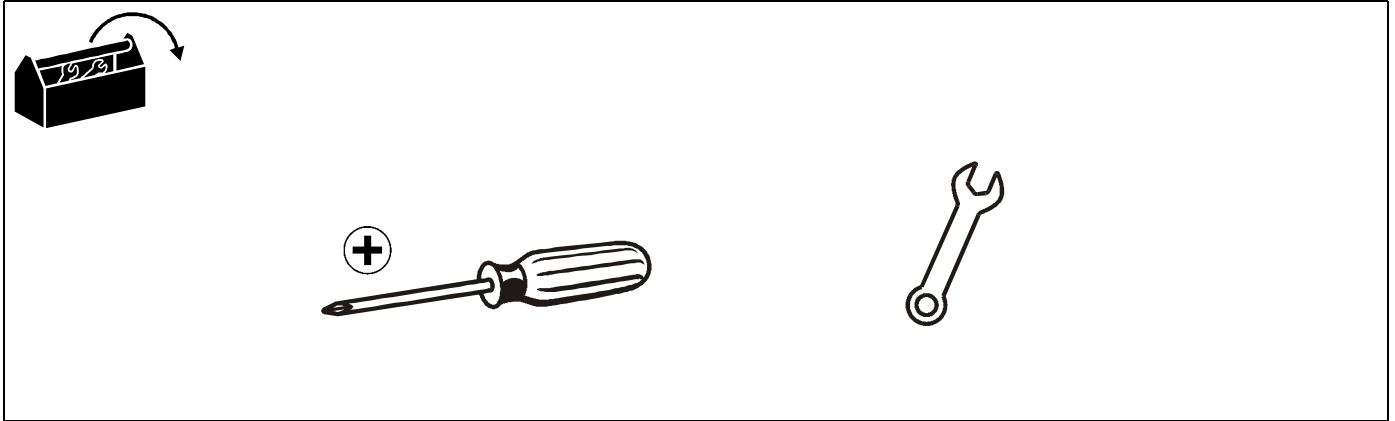
 **WARNING:** Do not use this product outdoors.

**--SAVE THESE INSTRUCTIONS--**

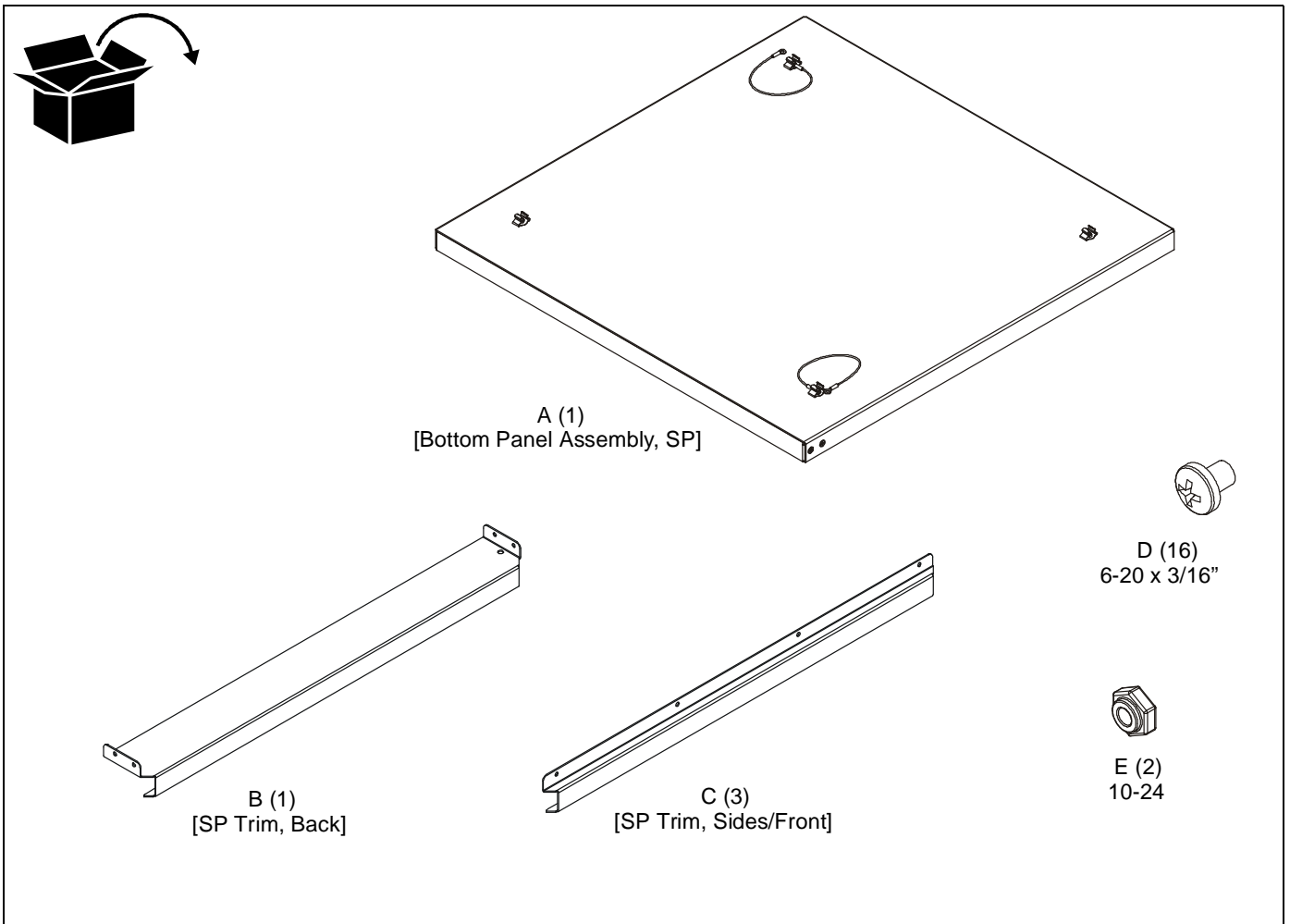
## LEGEND

|   |                              |  |                          |
|---|------------------------------|--|--------------------------|
|  | <b>Tighten Fastener</b>      |   | <b>Open-Ended Wrench</b> |
|   | Apretar elemento de fijación |  | Llave de boca            |
|   | Befestigungsteil festziehen  |  | Gabelschlüssel           |
|   | Apertar fixador              |  | Chave de bocas           |
|   | Serrare il fissaggio         |  | Chiave a punte aperte    |
|   | Bevestiging vastdraaien      |  | Steeksleutel             |
| Serrez les fixations  | Clé à fourche                |  | <b>Drill Hole</b>        |
|  | <b>Loosen Fastener</b>       |  | Perforar                 |
|   | Aflojar elemento de fijación |  | Bohrloch                 |
|   | Befestigungsteil lösen       |  | Fazer furo               |
|   | Desapertar fixador           |  | Praticare un foro        |
|   | Allentare il fissaggio       |  | Gat boren                |
|   | Bevestiging losdraaien       | Percez un trou   |                          |
| Desserrez les fixations   |                              |  |                          |

### TOOLS REQUIRED FOR INSTALLATION



### PARTS



## ASSEMBLY AND INSTALLATION

1. Remove and discard the Phillips screws holding the sides and front trim pieces to the SL236 box.
2. Remove and discard the sides and front trim pieces. (See Figure 1)

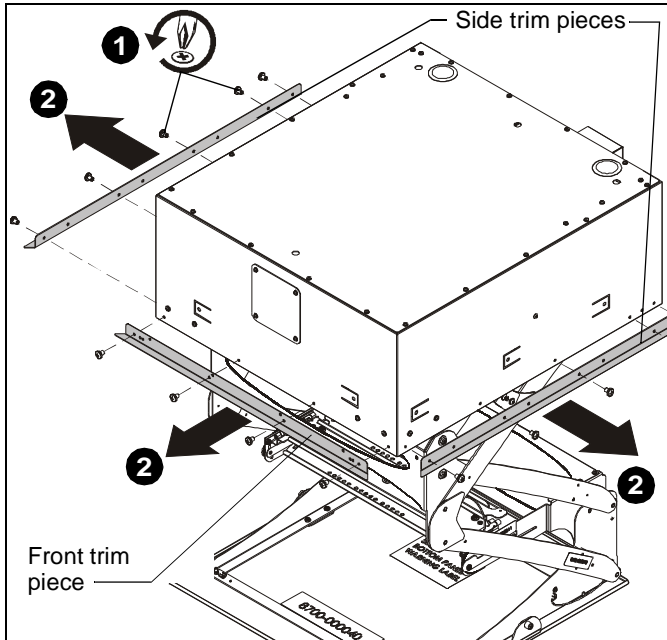


Figure 1

3. Remove six Phillips screws from rear trim piece. (See Figure 2)

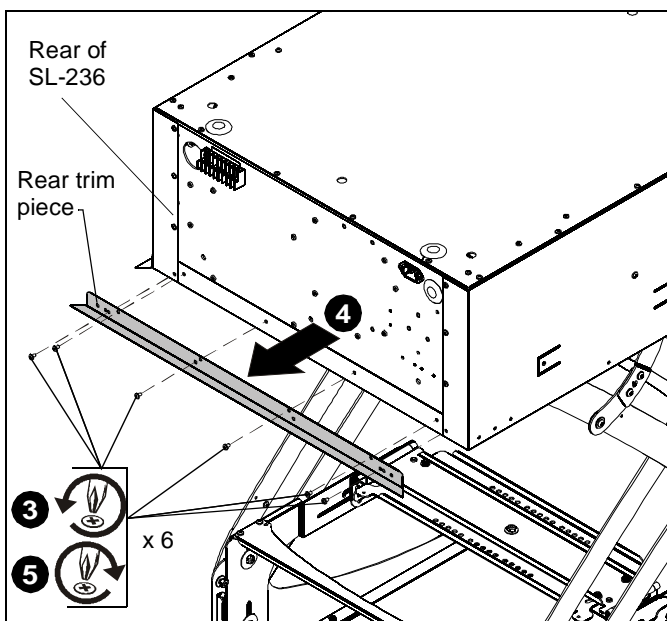


Figure 2

4. Remove and discard rear trim piece.
5. Replace six Phillips screws removed in Step 3.

6. Replace trim on sides and front with trim pieces (C), and secure in place with twelve 6-20 x 3/16" Phillips tapping screws (D). (See Figure 3)

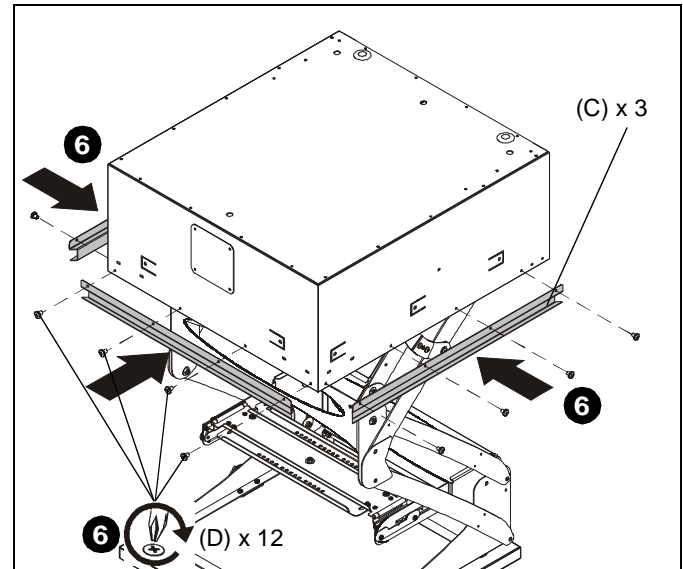


Figure 3

7. Place rear trim (B) under back of SL-236, raise into place, and secure with four 6-20 x 3/16" Phillips tapping screws (D). (See Figure 4)

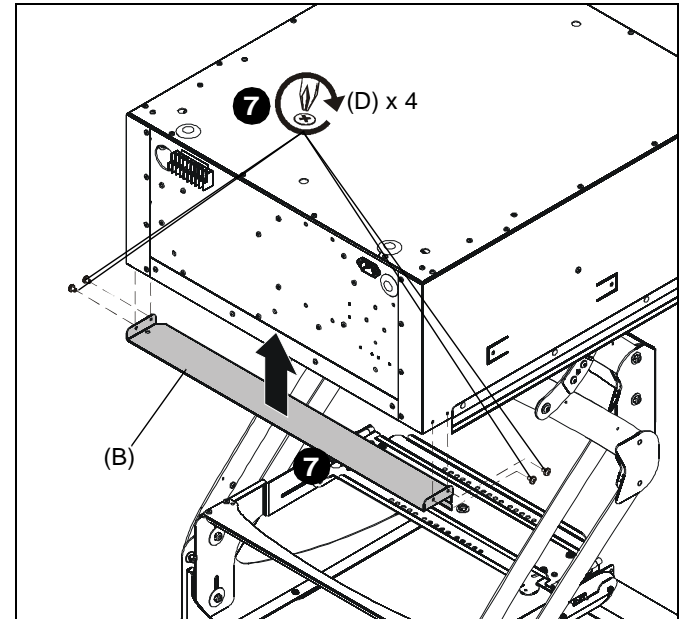
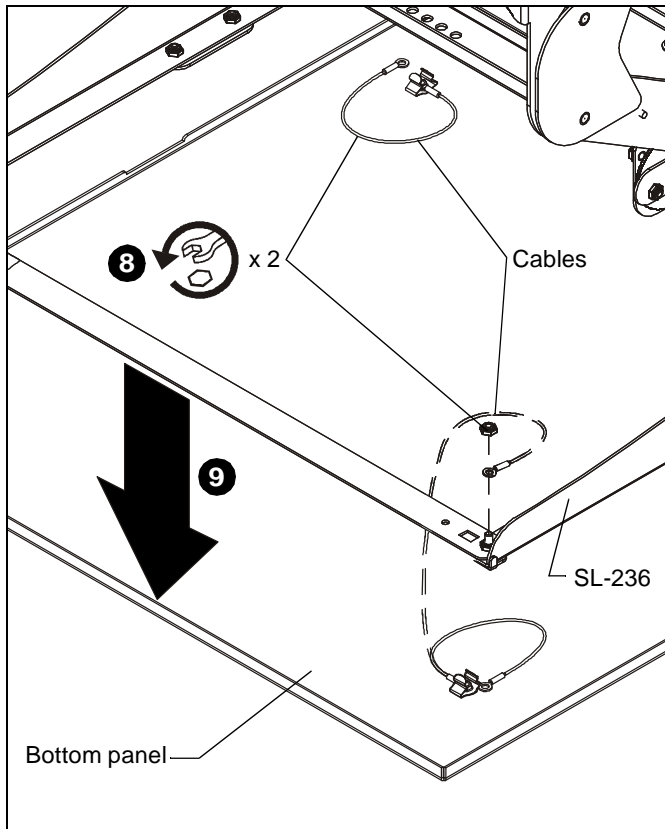


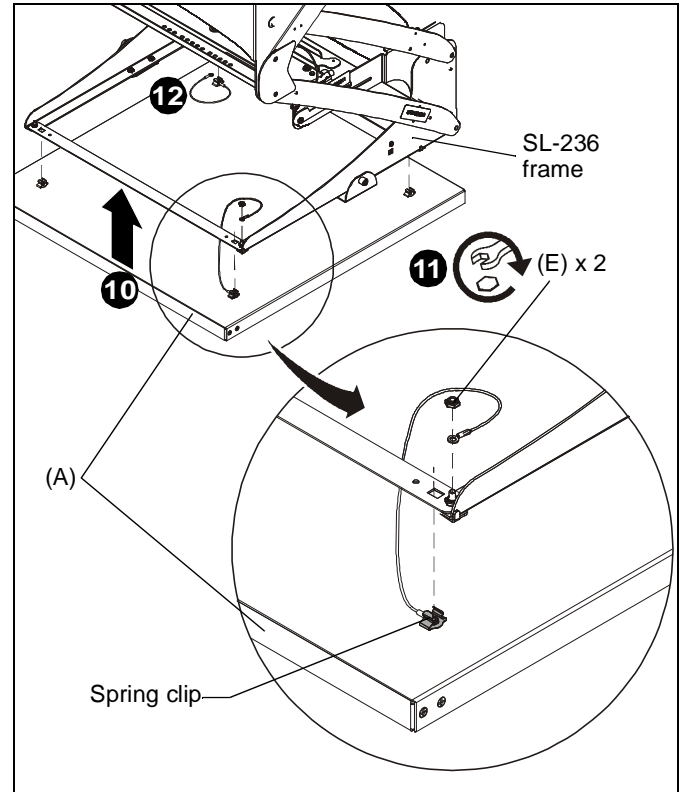
Figure 4

8. Loosen and remove two 10-24 nuts and cables from opposite corners of the SL-236.
9. Remove and pull bottom panel away from SL-236. (See Figure 5)



**Figure 5**

10. Raise bottom panel assembly (A) up to SL-236 and insert spring clips into rectangular holes on SL-236 frame. (See Figure 6)



**Figure 6**

11. In corner with cable, install cable onto SL-236 frame and fasten with 10-24 nut (E). (See Figure 6)
12. Repeat in opposite corner of ceiling panel. (See Figure 6)
13. Continue installation following the SL-236 installation instructions.







Our Mounts. **Your Vision.**

Chief, a products division of  
Milestone AV Technologies

8800-002750 Rev00  
©2015 Milestone AV Technologies  
[www.chiefmfg.com](http://www.chiefmfg.com)  
07/15

|                          |   |
|--------------------------|---|
| <b>USA/International</b> | <b>A</b> 6436 City West Parkway, Eden Prairie, MN 55344   |
|                          | <b>P</b> 800.582.6480 / 952.225.6000  |
|                          | <b>F</b> 877.894.6918 / 952.894.6918  |
| <b>Europe</b>            | <b>A</b> Franklinstraat 14, 6003 DK Weert, Netherlands  |
|                          | <b>P</b> +31 (0) 495 580 852  |
|                          | <b>F</b> +31 (0) 495 580 845  |
| <b>Asia Pacific</b>      | <b>A</b> Office No. 1 on 12/F, Shatin Galleria<br>18-24 Shan Mei Street<br>Fotan, Shatin, Hong Kong |
|                          | <b>P</b> 852 2145 4099  |
|                          | <b>F</b> 852 2145 4477  |

