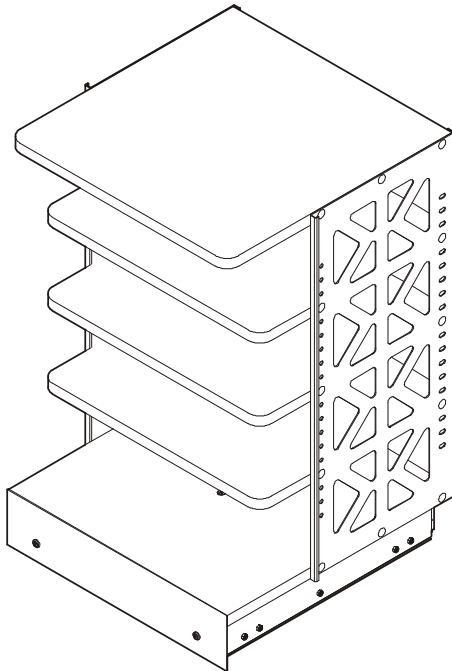
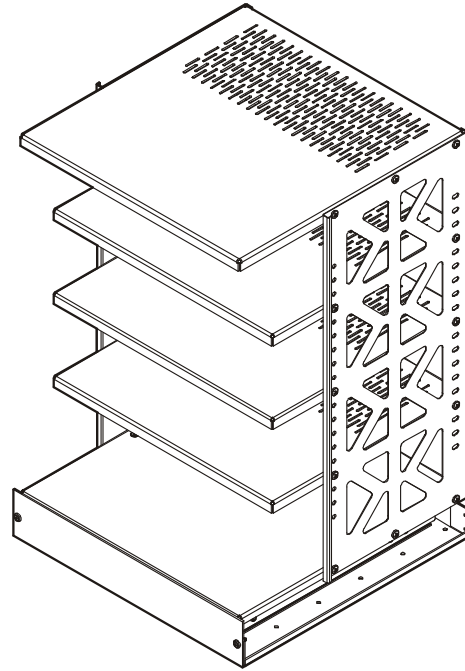

INSTALLATION INSTRUCTIONS



WROTR



STROTR


Wood or Steel Pull Out Rotating Shelf Units


DISCLAIMER


Milestone AV Technologies and its affiliated corporations and subsidiaries (collectively "Milestone"), intend to make this manual accurate and complete. However, Milestone makes no claim that the information contained herein covers all details, conditions or variations, nor does it provide for every possible contingency in connection with the installation or use of this product. The information contained in this document is subject to change without notice or obligation of any kind. Milestone makes no representation of warranty, expressed or implied, regarding the information contained herein. Milestone assumes no responsibility for accuracy, completeness or sufficiency of the information contained in this document.


Chief® is a registered trademark of Milestone AV Technologies. All rights reserved.


 **IMPORTANT SAFETY INSTRUCTIONS**

 **WARNING:** A WARNING alerts you to the possibility of serious injury or death if you do not follow the instructions.

 **CAUTION:** A CAUTION alerts you to the possibility of damage or destruction of equipment if you do not follow the corresponding instructions.

 **WARNING:** Failure to read, thoroughly understand, and follow all instructions can result in serious personal injury, damage to equipment, or voiding of factory warranty! It is the installer's responsibility to make sure all components are properly assembled and installed using the instructions provided.




 **WARNING:** Failure to provide adequate structural strength for this component can result in serious personal injury or damage to equipment! It is the installer's responsibility to make sure the structure to which this component is attached can support five times the combined weight of all equipment. Reinforce the structure as required before installing the component.

 **WARNING:** Exceeding the weight capacity can result in serious personal injury or damage to equipment! It is the installer's responsibility to make sure the combined weight of all components located within the rack does not exceed 200 lbs (90.7 kg). Use with products heavier than the maximum weight indicated may result in instability or collapse of the rack causing possible injury.

IMPORTANT ! : Minimum spacings between the Accessories and components and the (ITC/AV) Rack Enclosure shall be maintained for safe operation of the equipment when installed in accordance with the National Electric Code, ANSI/NFPA 70-2008. Operating temperature inside rack shall not exceed 104°F.

--SAVE THESE INSTRUCTIONS--

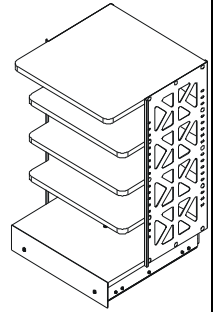
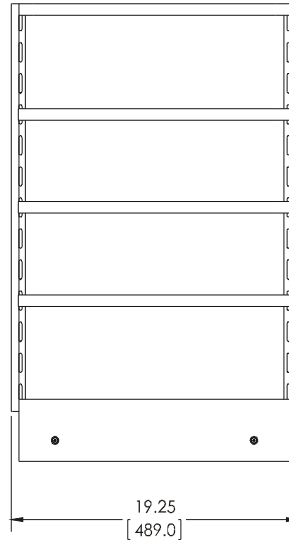
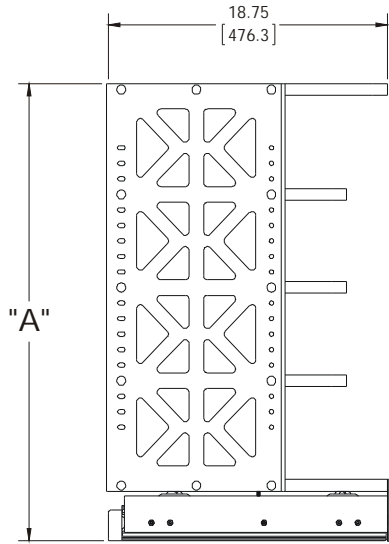
LEGEND

	Tighten Fastener		Phillips Screwdriver
	Apretar elemento de fijación		Destornillador Phillips
	Befestigungsteil festziehen		Kreuzschlitzschraubendreher
	Apertar fixador		Chave de fendas Phillips
	Serrare il fissaggio		Cacciavite a stella
	Bevestiging vastdraaien		Kruiskopschroevendraaier
Serrez les fixations	Tournevis à pointe cruciforme		
	Loosen Fastener		
	Aflojar elemento de fijación		
	Befestigungsteil lösen		
	Desapertar fixador		
	Allentare il fissaggio		
	Bevestiging losdraaien		
Desserrez les fixations			

DIMENSIONS

MODEL	"A" HEIGHT	USABLE DEPTH	NUMBER OF SHELVES
WROTR-30B	29.5 [749mm]	18.75 [476mm]	3 SHELVES
WROTR-36B	35.5 [900mm]	18.75 [476mm]	4 SHELVES
WROTR-42B	41.5 [1050mm]	18.75 [476mm]	5 SHELVES

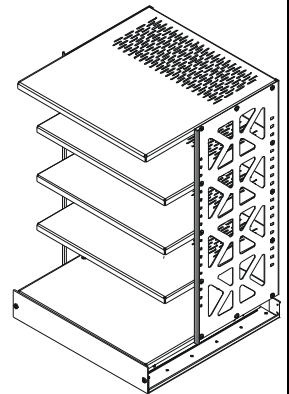
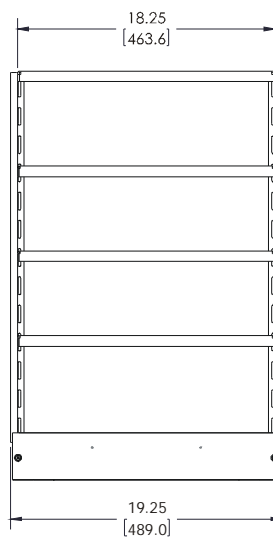
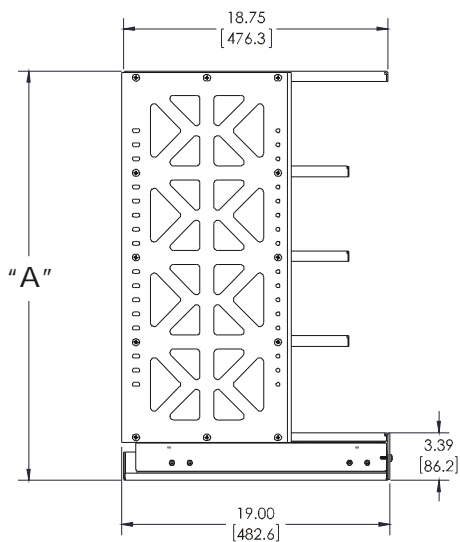
WROTR



DIMENSIONS: INCHES
[MILLIMETERS]

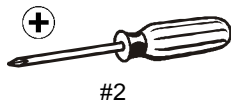
MODEL	"A" HEIGHT	USABLE DEPTH	NUMBER OF SHELVES
STROTR-30	29.0 [737mm]	18.75 [476mm]	3 SHELVES
STROTR-36	35.0 [889mm]	18.75 [476mm]	4 SHELVES
STROTR-42	41.0 [1041mm]	18.75 [476mm]	5 SHELVES

STROTR



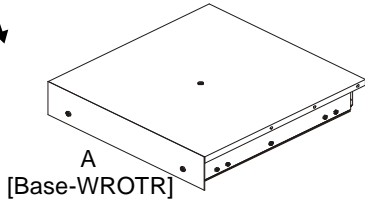
DIMENSIONS: INCHES
[MILLIMETERS]

TOOLS REQUIRED FOR INSTALLATION

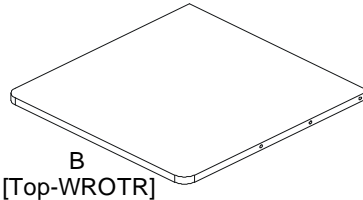


#2

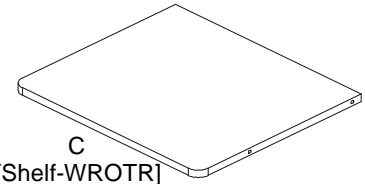
PARTS



A
[Base-WROTR]



B
[Top-WROTR]

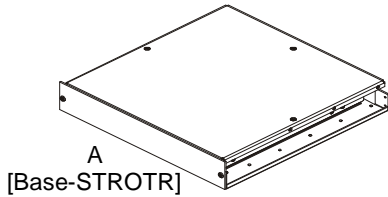


C
[Shelf-WROTR]

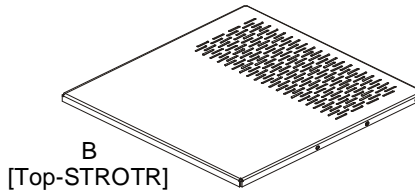
OR

OR

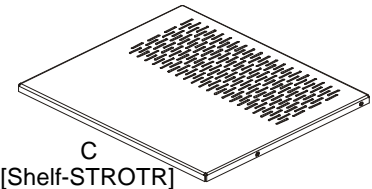
OR



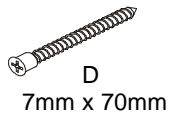
A
[Base-STROTR]



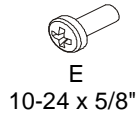
B
[Top-STROTR]



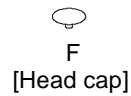
C
[Shelf-STROTR]



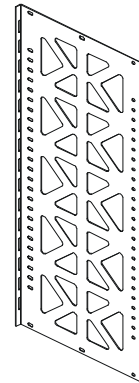
D
7mm x 70mm



E
10-24 x 5/8"



F
[Head cap]



G
[Side mounting plate]

Model	A (qty)	B (qty)	C (qty)	D (qty)	E (qty)	F (qty)	G (qty)
WROTR-30	1	1	3	24	N/A	24	2
WROTR-36	1	1	4	28	N/A	28	2
WROTR-42	1	1	5	32	N/A	32	2
STROTR-30	1	1	3	N/A	24	N/A	2
STROTR-36	1	1	4	N/A	28	N/A	2
STROTR-42	1	1	5	N/A	32	N/A	2

INSTALLATION

1. Remove and **SAVE** two screws from ST-/WROTR base (A) front and remove the cover plate. (See Figure 1)

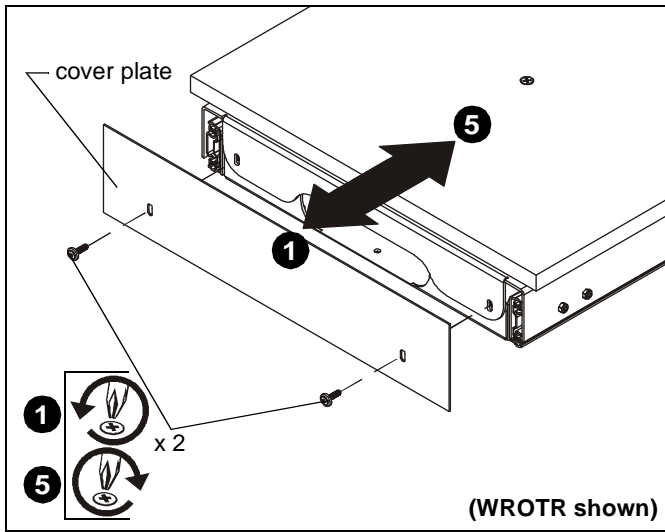


Figure 1

2. Slide top of base forward, exposing bottom of base. (See Figure 2)
3. Attach ST-/WROTR base to mounting surface using fasteners (not included) which are appropriate size and type for the mounting surface. (See Figure 2)
4. Slide top of base back to cover the bottom of base.

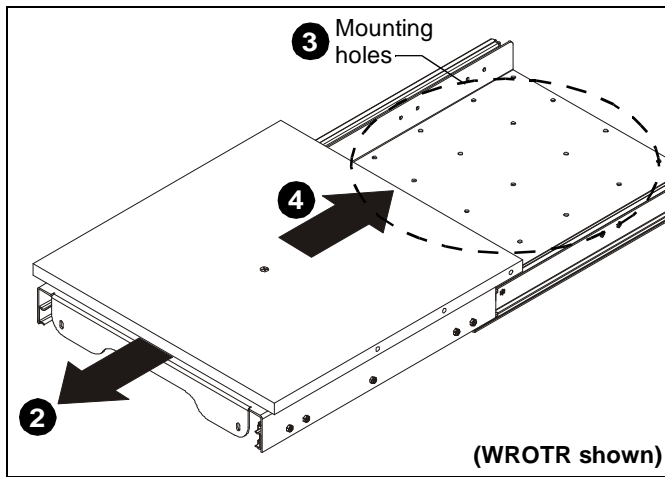


Figure 2

5. Replace cover plate and attach with two fasteners removed in Step 1. (See Figure 1)

ASSEMBLY

NOTE: Do not tighten fasteners until all top and shelves have also been installed.

1. Loosely assemble side mounting plate (G) to base side using three fasteners (D - for WROTR; E - for STROTR). (See Figure 3)

2. Repeat for other side mounting plate.

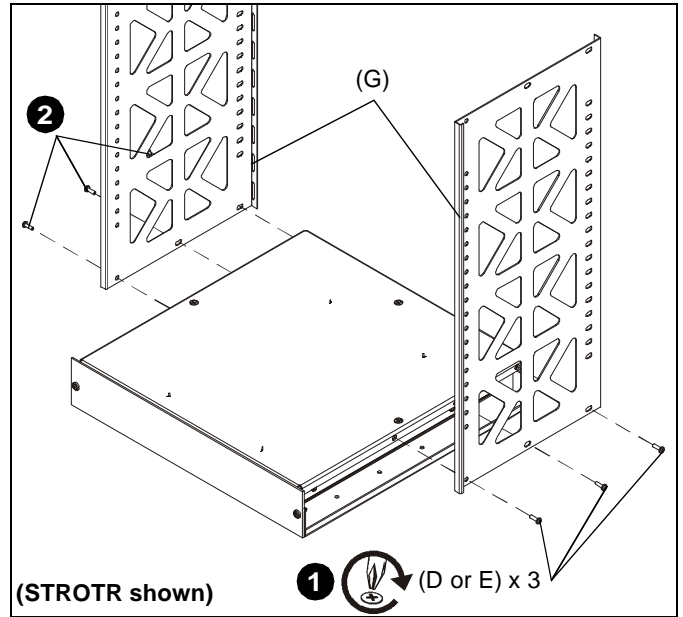


Figure 3

3. Loosely assemble top (B) to side mounting plates (G) using three fasteners (D - for WROTR; E - for STROTR) on each side. (See Figure 4)

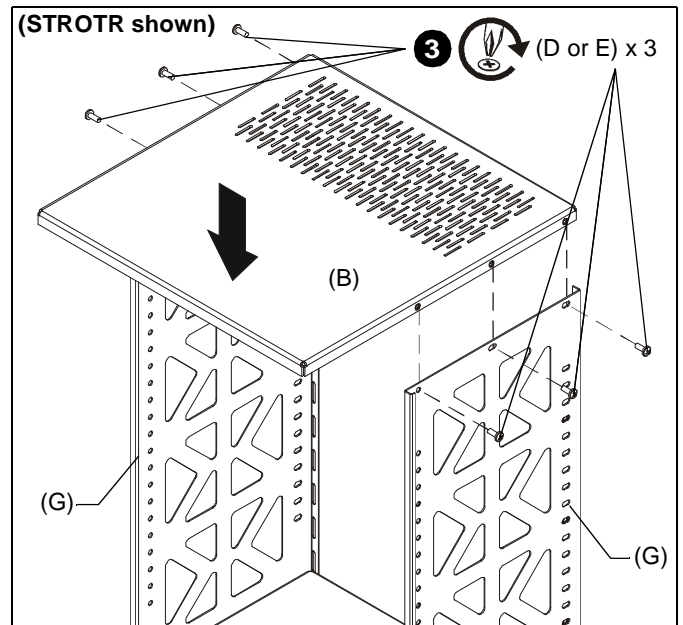


Figure 4

- Loosely assemble shelves (C) to side mounting plates (G) using two fasteners (D - for WROTR; E - for STROTR) on each side, four fasteners total per shelf. (See Figure 5)

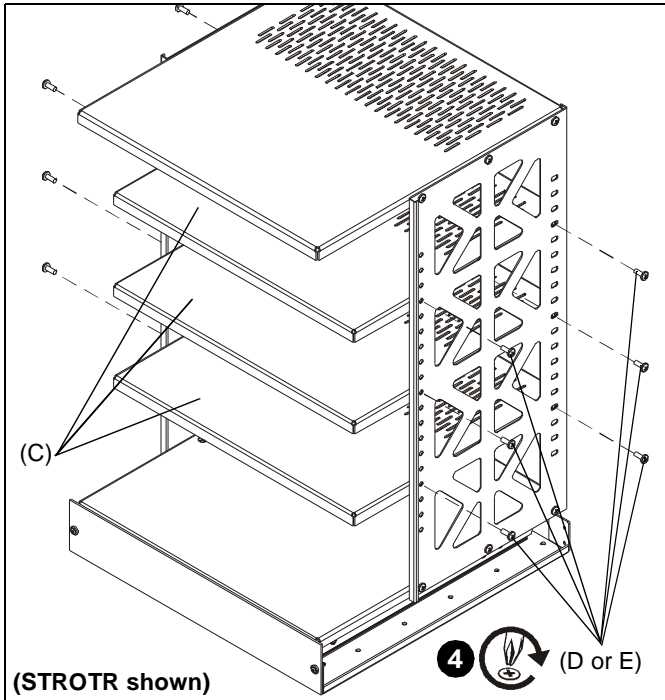


Figure 5

- Tighten all screws after all shelves, base and top are positioned.
- WROTR ONLY:** Insert head caps (F) over the 7mm x 70mm screws (D) in the WROTR.

LOADING THE RACK

IMPORTANT ! : All shelves included with the rack must be installed.

OPTIONAL: Rotating Racks

NOTE: Racks may be rotated to facilitate loading the rack.

- Remove and **SAVE** two screws from ST-/WROTR base (A) front and remove the cover plate. (See Figure 6)

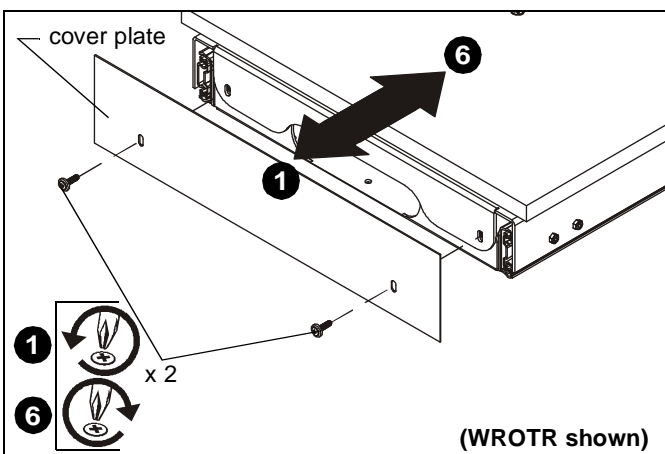


Figure 6

- Slide top of base forward, exposing bottom of base. (See Figure 6)
- STROTR ONLY:** Unlock the thumbscrew in the STROTR front. (See Figure 7)
- Pull out and swivel the ST-/WROTR as needed to gain access to the back.
- Swivel ST-/WROTR to front and close ST-/WROTR. (See Figure 6)
- STROTR ONLY:** Tighten thumbscrew to keep from swiveling. (See Figure 7)

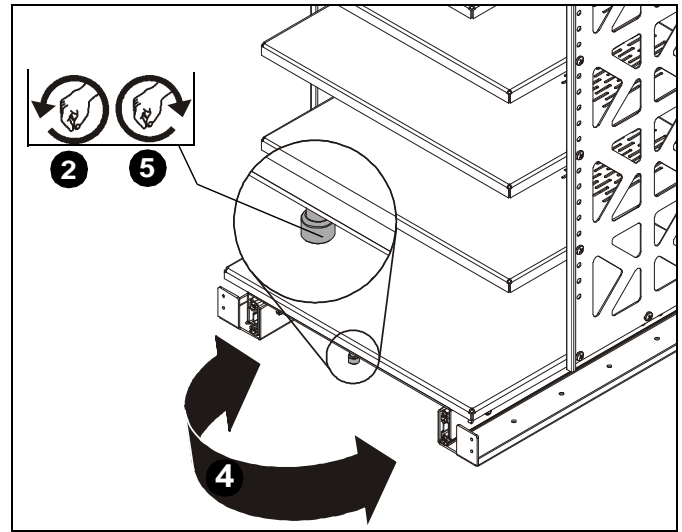


Figure 7

- Replace cover plate and attach with two fasteners removed in Step 1. (See Figure 6)

Load Distribution



CAUTION: BEGIN PLACEMENT OF LOAD AT BOTTOM OF RACK! Load rack, moving from bottom toward top of rack. Loading rack incorrectly may result in instability causing possibly injury and/or damage to components.

- Begin placement of components into the rack at the lowest point.
- Continue placing items into the rack, moving from the bottom upward.



CAUTION: DISTRIBUTE LOAD CORRECTLY! Load rack with 2/3 total weight of components in the lower half of rack. Loading rack incorrectly may result in instability causing possible injury and/or damage to components.



Our Mounts. **Your Vision.**

Chief Manufacturing, a products division
of Milestone AV Technologies

8800-002207 Rev00
©2012 Milestone AV Technologies, a
Duchossois Group Company
www.chiefmfg.com
08/12

USA/International	A 6436 City West Parkway, Eden Prairie, MN 55344 P 800.582.6480 / 952.225.6000 F 877.894.6918 / 952.894.6918
Europe	A Franklinstraat 14, 6003 DK Weert, Netherlands P +31 (0) 495 580 852 F +31 (0) 495 580 845
Asia Pacific	A Office No. 1 on 12/F, Shatin Galleria 18-24 Shan Mei Street Fotan, Shatin, Hong Kong P 852 2145 4099 F 852 2145 4477

