

# INSTALLATION INSTRUCTIONS

## SYS-CLIP

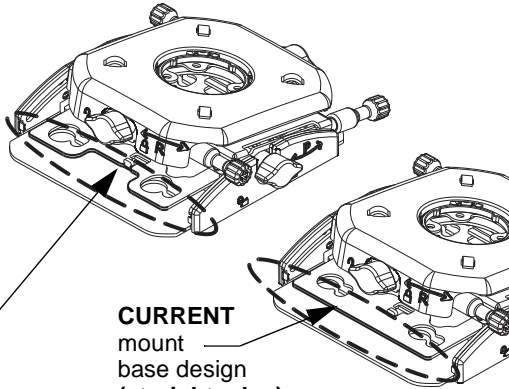
**IMPORTANT ! :** The SYS-CLIP should only be installed into SYS\* products (see list below) containing the **ORIGINAL** projector mount base design (notched edge). Do **NOT** install the SYS-CLIP if the projector mount base is the **CURRENT** design (straight edge).

### SYS\* PRODUCTS

SYSAUB  
SYSAUW  
SYS474UB  
SYS474UW  
SYSAUBP2  
SYSAUWP2  
MSP-IFSYSAUB  
MSP-IFSYSAUW

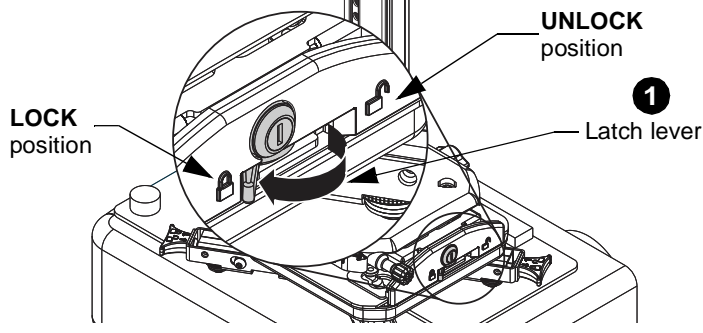
**ORIGINAL** mount base design (notched edge)

**CURRENT** mount base design (straight edge)

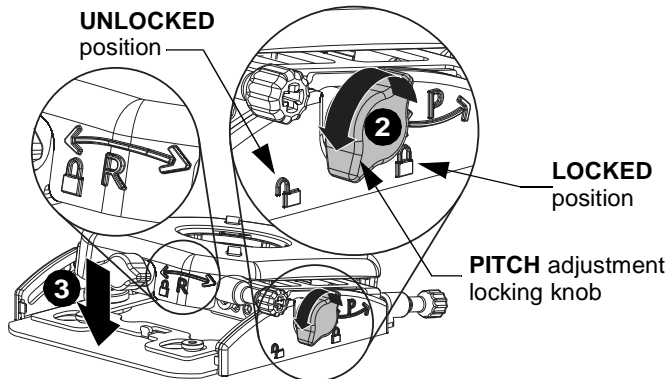


**WARNING:** ENSURE PROJECTOR AND INTERFACE PLATE ARE SECURE AND LATCH LEVER IS IN "LOCKED" POSITION BEFORE PROCEEDING WITH SYS-CLIP INSTALLATION! It is **NOT** necessary to remove projector during SYS-CLIP installation.

1. Verify latch lever is in **LOCKED** position.

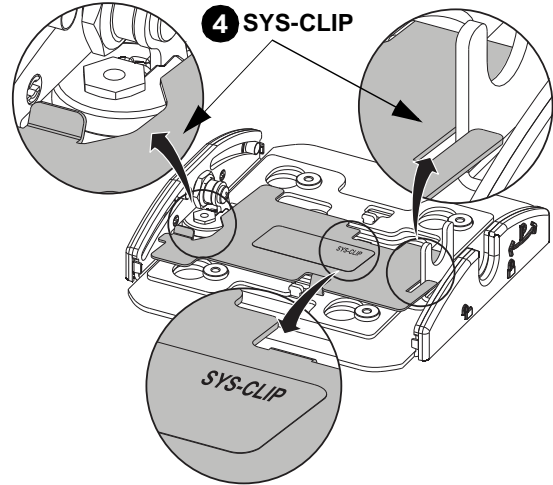


2. Turn PITCH adjustment locking knob counterclockwise (to left) to unlocked position.
3. Rotate projector mount down on side marked with "R" (as shown below).

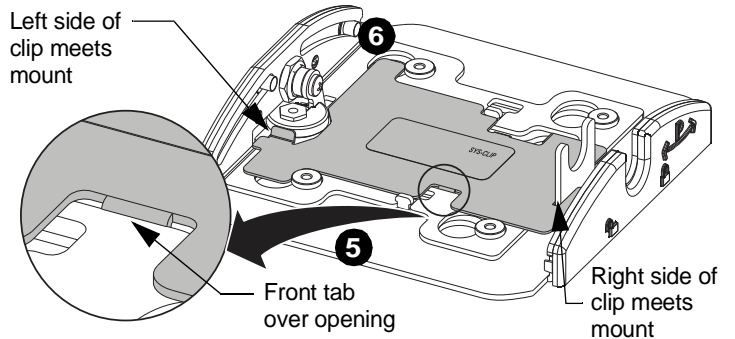


4. Insert SYS-CLIP into the projector mount, orienting it as shown (including printing on label).

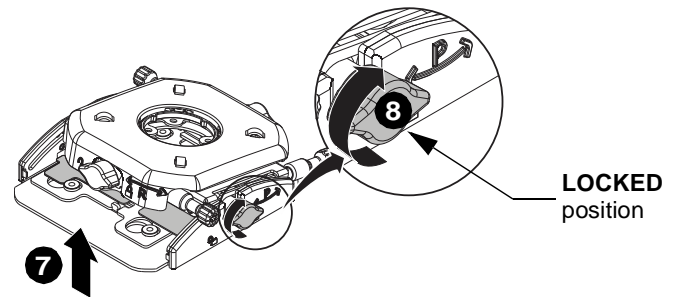
**NOTE:** Only the lower mount is shown to allow details to be visible.



5. Continue sliding SYS-CLIP into mount until right and left sides of clip meet mount, and front tab is located over opening.
6. Press down on left rear side of clip until there is an audible "click" and the SYS-CLIP is seated flat on top of mount and behind front mounting buttons.



7. Rotate projector mount pitch angle back to original position.
8. Turn PITCH adjustment locking knob to **LOCKED** position.



9. Verify alignment of the projector and adjust as necessary.

**NOTE:** The SYS-CLIP may remain in place during projector service.

Milestone AV Technologies, and its affiliated corporations and subsidiaries (collectively, "Milestone"), intend to make this information accurate and complete. However, Milestone makes no claim that the information contained herein covers all details, conditions or variations, nor does it provide for every possible contingency in connection with the installation or use of this product. The information contained in this document is subject to change without notice or obligation of any kind. Milestone makes no representation of warranty, expressed or implied, regarding the information contained herein. Milestone assumes no responsibility for accuracy, completeness or sufficiency of the information contained in this document.

MILESTONE SYS LATCH CLIP PROGRAM – REIMBURSEMENT FORM

*Instructions: 1) Complete one form per end customer location\* 2) Affix one bar code sticker for each Latch Clip installed 3) Sign verification at bottom of form and 4) Submit to Milestone for reimbursement either via scanned copies to sysclip@milestone.com or by mailing to SYS Latch Clip Program, c/o Milestone AV Technologies, 6436 City West Parkway, Eden Prairie MN 55344. If you have questions about reimbursement process or amounts, please contact Customer Care at sysclip@milestone.com or 1-800-582-6480.*

ACCOUNT NUMBER: \_\_\_\_\_

END CUSTOMER NAME: \_\_\_\_\_

INSTALLATION ADDRESS: \_\_\_\_\_

AFFIX (1) BARCODE STICKER FOR EACH LATCH CLIP(S) INSTALLED AT THE ABOVE LOCATION:

**We have installed the SYS\* Latch Clips at the above address per the instructions provided.**

\_\_\_\_\_

Signature

Print Name

Date

E-mail address \_\_\_\_\_ Phone \_\_\_\_\_

Page \_\_\_\_ of \_\_\_\_

PLEASE SUBMIT BY MAY 1, 2017.

\* Use multiple sheets if necessary