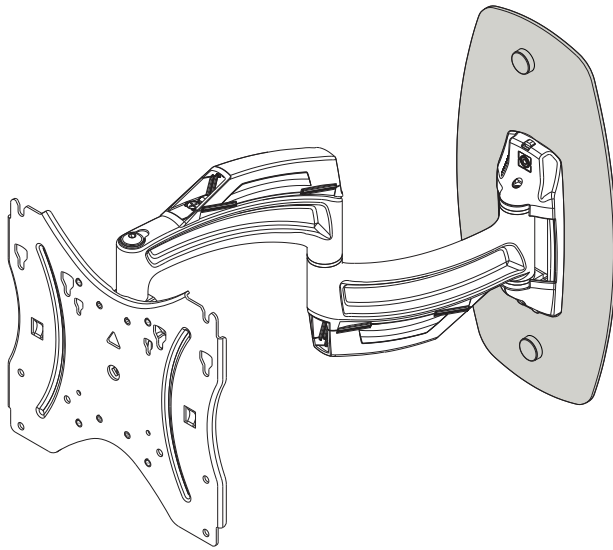


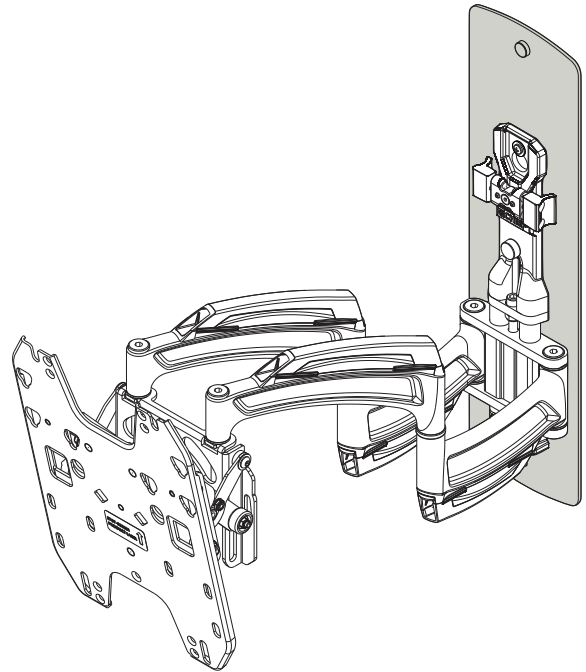
---

# INSTALLATION INSTRUCTIONS

---



TASMS with TS118



TAMMS with TS318

---

## Thininstall™ Steel Stud Adapter

---

## DISCLAIMER

Milestone AV Technologies and its affiliated corporations and subsidiaries (collectively "Milestone"), intend to make this manual accurate and complete. However, Milestone makes no claim that the information contained herein covers all details, conditions or variations, nor does it provide for every possible contingency in connection with the installation or use of this product. The information contained in this document is subject to change without notice or obligation of any kind. Milestone makes no representation of warranty, expressed or implied, regarding the information contained herein. Milestone assumes no responsibility for accuracy, completeness or sufficiency of the information contained in this document.

Chief® and Thinstall™ are registered trademarks of Milestone AV Technologies. All rights reserved.

## DEFINITIONS

**MOUNTING SYSTEM:** A MOUNTING SYSTEM is the primary Chief product to which an accessory and/or component is attached.

**ACCESSORY:** AN ACCESSORY is the secondary Chief product which is attached to a primary Chief product, and may have a component attached or setting on it.

**COMPONENT:** A COMPONENT is an audiovisual item designed to be attached or resting on an accessory or mounting system such as a video camera, CPU, screen, display, projector, etc.



**WARNING:** A WARNING alerts you to the possibility of serious injury or death if you do not follow the instructions.



**CAUTION:** A CAUTION alerts you to the possibility of damage or destruction of equipment if you do not follow the corresponding instructions.



## IMPORTANT SAFETY INSTRUCTIONS



**WARNING:** Failure to read, thoroughly understand, and follow all instructions can result in serious personal injury, damage to equipment, or voiding of factory warranty! It is the installer's responsibility to make sure all accessories are properly assembled and installed using the instructions provided.



**WARNING:** Failure to provide adequate structural strength for this accessory can result in serious personal injury or damage to equipment! It is the installer's responsibility to make sure the structure to which this accessory is attached can support five times the combined weight of all equipment. Reinforce the structure as required before installing the accessory. The wall to which the mounting system / accessory is being attached may have a maximum drywall thickness of 5/8" (1.6cm). Do not install drywall anchors into the seam between drywall pieces.



**WARNING:** Exceeding the weight capacity can result in serious personal injury or damage to equipment! It is the installer's responsibility to make sure the combined weight of all components attached to this accessory does not exceed 50 lbs (22.67 kg) OR the weight capacity of the mounting system being used.



**WARNING:** Use this accessory only for its intended use as described in these instructions. Do not use attachments not recommended by the manufacturer.



**WARNING:** Never operate this accessory if it is damaged. Return the accessory to a service center for examination and repair.



**WARNING:** Do not use this accessory outdoors.

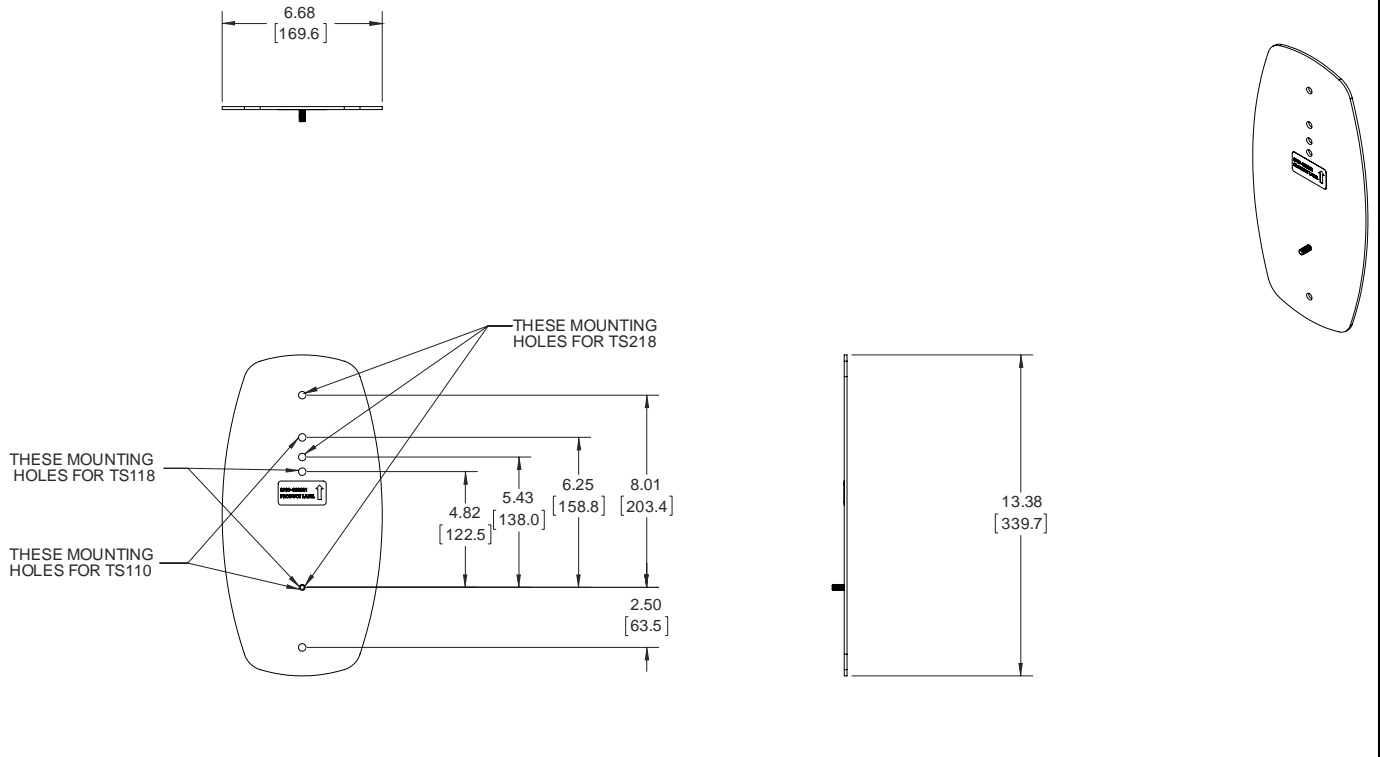
**IMPORTANT ! :** The TASMS/TAMMS accessory is designed to be mounted to a 2" x 4"-25ga minimum steel studs wall.

**IMPORTANT ! :** The TASMS/TAMMS accessory is designed to mount Chief's Thinstall™ single stud wall mounting systems to a steel studs wall. Do not attempt to install any other mounting system to this accessory.

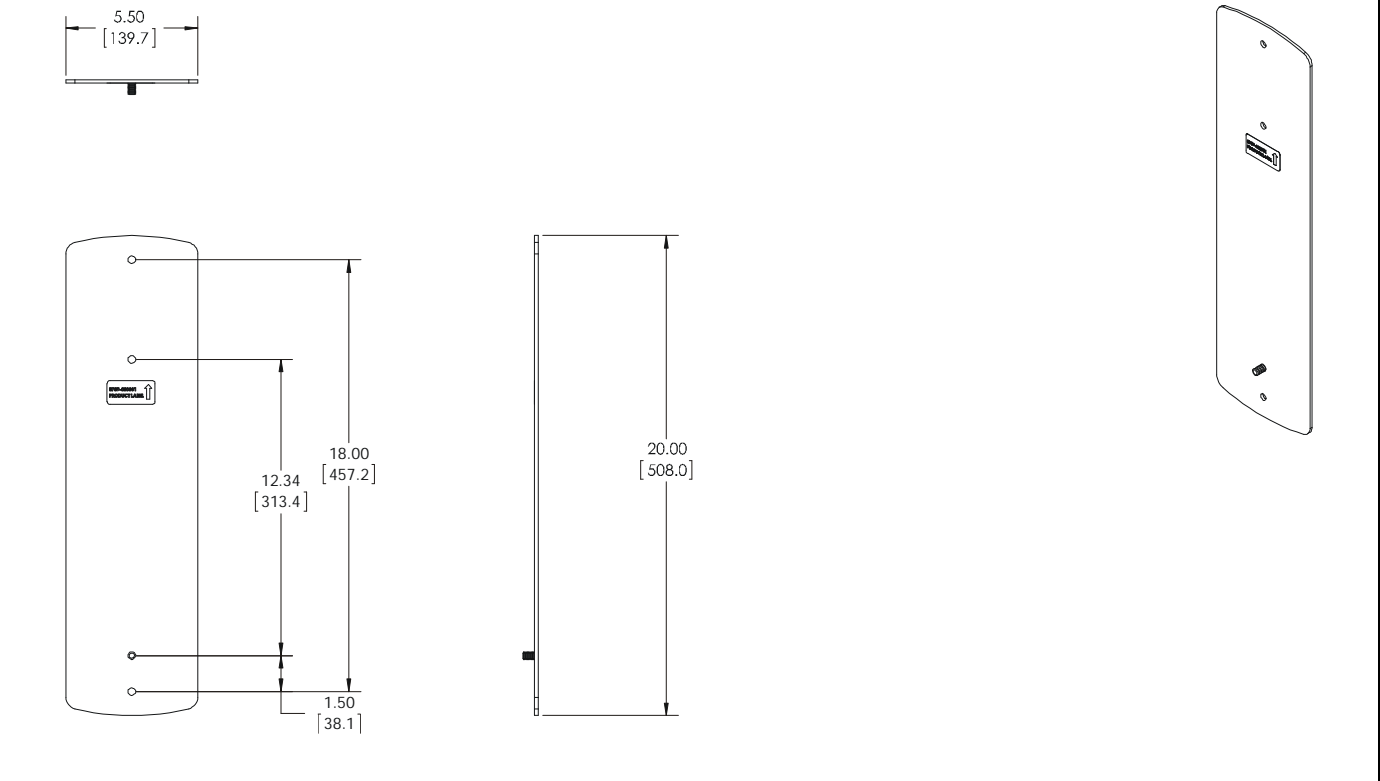
**--SAVE THESE INSTRUCTIONS--**

**DIMENSIONS**

**TASMS**



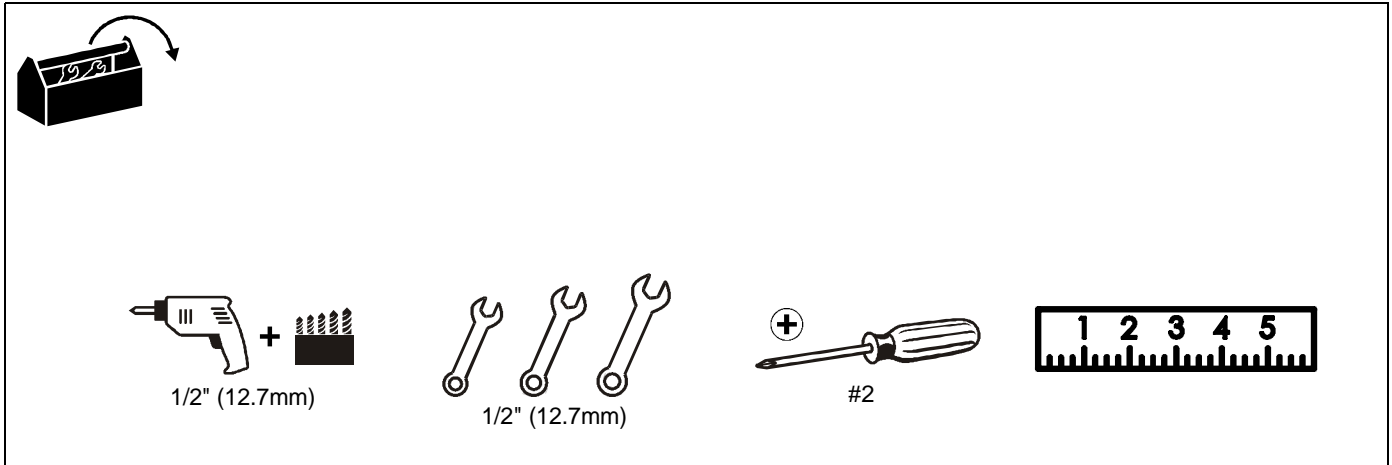
**TAMMS**



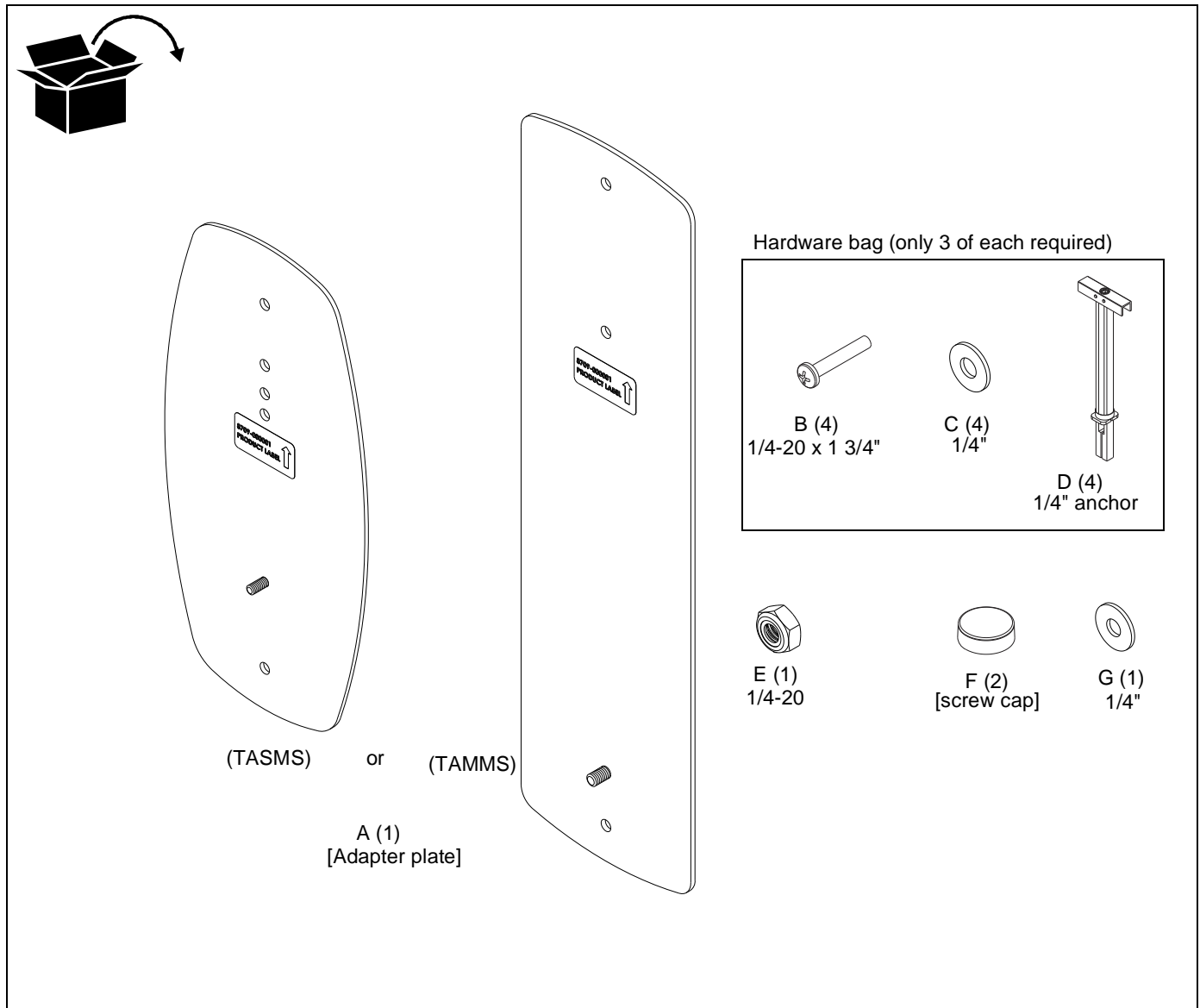
## LEGEND

	<b>Tighten Fastener</b> Apretar elemento de fijación Befestigungsteil festziehen Apertar fixador Serrare il fissaggio Bevestiging vastdraaien Serrez les fixations		<b>Pencil Mark</b> Marcar con lápiz Stiftmarkierung Marcar com lápis Segno a matita Potloodmerkteken Marquage au crayon
	<b>Loosen Fastener</b> Aflojar elemento de fijación Befestigungsteil lösen Desapertar fixador Allentare il fissaggio Bevestiging losdraaien Desserrez les fixations		<b>Drill Hole</b> Perforar Bohrloch Fazer furo Praticare un foro Gat boren Percez un trou
	<b>Phillips Screwdriver</b> Destornillador Phillips Kreuzschlitzschraubendreher Chave de fendas Phillips Cacciavite a stella Kruiskopschroevendraaier Tournevis à pointe cruciforme		<b>Adjust</b> Ajustar Einstellen Ajustar Regolare Afstellen Ajuster
	<b>Open-Ended Wrench</b> Llave de boca Gabelschlüssel Chave de bocas Chiave a punte aperte Steeksleutel Clé à fourche		<b>Remove</b> Quitar Entfernen Remover Rimuovere Verwijderen Retirez
	<b>By Hand</b> A mano Von Hand Com a mão A mano Met de hand À la main		<b>Optional</b> Opcional Optional Opcional Opzionale Optie En option
	<b>Hex-Head Wrench</b> Llave de cabeza hexagonal Sechskantschlüssel Chave de cabeça sextavada Chiave esagonale Zeskantsleutel Clé à tête hexagonale		<b>Security Wrench</b> Llave de seguridad Sicherheitsschlüssel Chave de segurança Chiave di sicurezza Veiligheidsleutel Clé de sécurité

### TOOLS REQUIRED FOR INSTALLATION



### PARTS

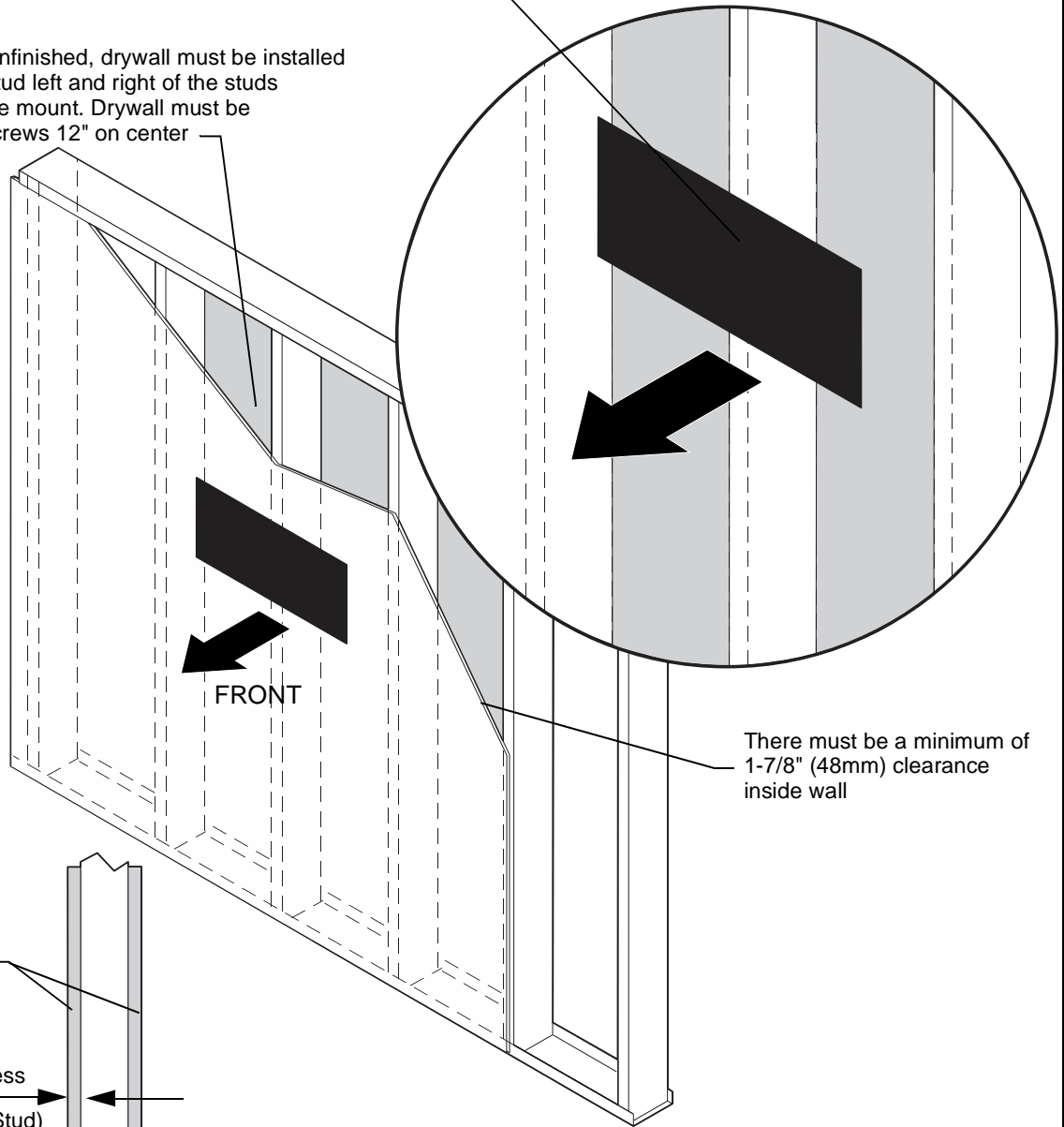


**Site Requirements**



If back side of wall is unfinished, drywall must be installed to a minimum of one stud left and right of the studs being used to install the mount. Drywall must be secured to stud with screws 12" on center

(Must be centered over stud)



There must be a minimum of 1-7/8" (48mm) clearance inside wall

Drywall

\*\*1/2" minimum Drywall Thickness  
(Both Sides of Stud)

\*\*See hazard statement on page 2!

Steel Stud (2 x 4 / 25ga minimum)  
Stud type and structural strength must conform to the North American Specification for the Design of Cold-Formed Steel Structural Members. [362, 125 18, C-Shape, S - Stud Section]

### Assembly And Installation

**IMPORTANT !** : The TASMS/TAMMS accessory is designed to mount Chief's Thinstall™ wall mounting systems to a steel studs wall. Do not attempt to install any other mounting system to this accessory.

1. Hold adapter plate (A) up to the wall on top of steel stud at desired mounting location. (See Figure 1) or (See Figure 2)
2. Mark three hole locations. The middle hole to use will vary based on which mounting system is being used on the TASMS. (See Figure 1) or (See Figure 2)
3. Drill a 1/2" (12.7mm) hole at the desired mounting locations. (See Figure 1) or (See Figure 2)

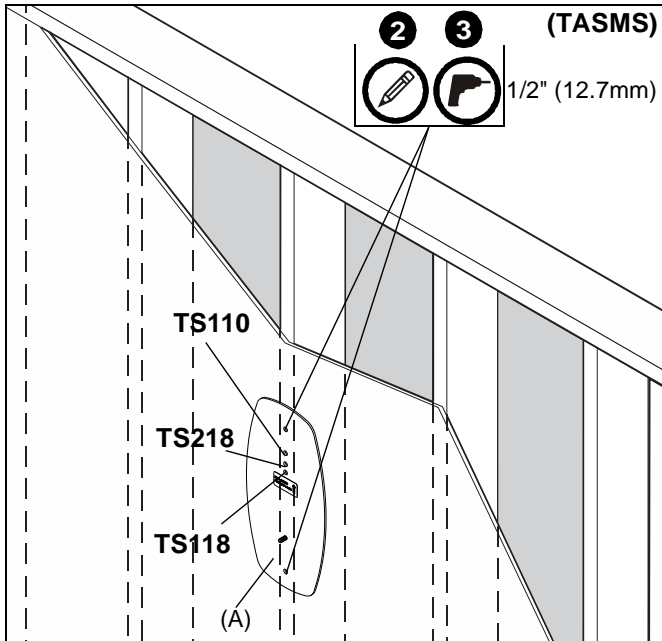


Figure 1

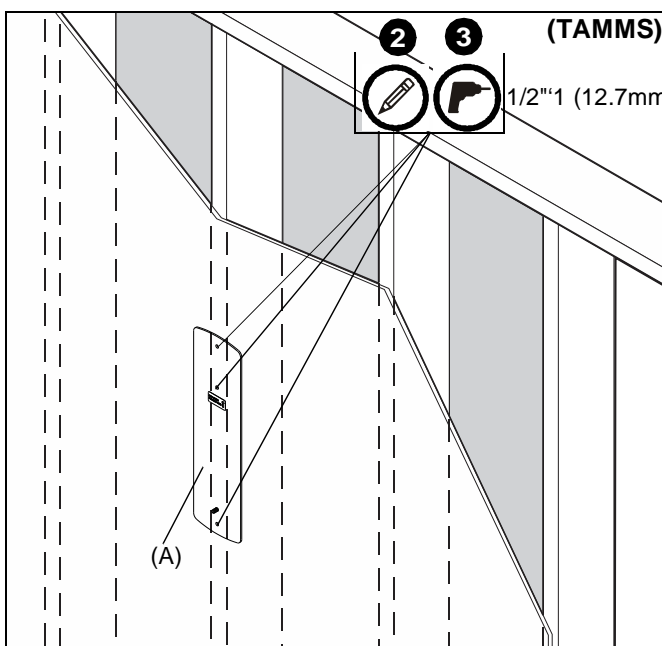


Figure 2

4. Hold metal channel on anchor (D) flat alongside plastic straps and slide channel through hole. (See Figure 3)

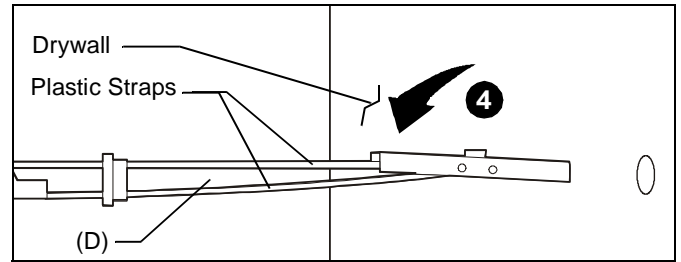


Figure 3

5. Holding plastic straps on anchor (D), pull anchor away from wall until channel rests flush behind wall making sure anchor channel is positioned vertically on stud. (See Figure 4)
6. Slide plastic cap on anchor (D) towards wall until flange of cap is flush with wall. (See Figure 4)

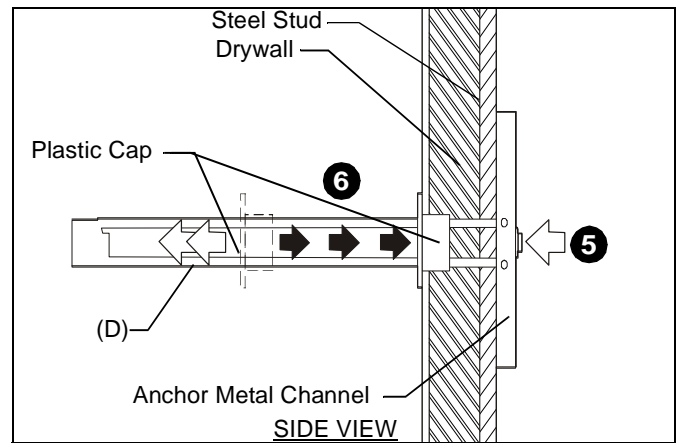


Figure 4

7. Snap off plastic straps on anchor at wall by pushing side to side, snapping off straps level with flange of plastic cap. (See Figure 5)
8. Repeat Steps 3 through 7 for the other mounting hole.

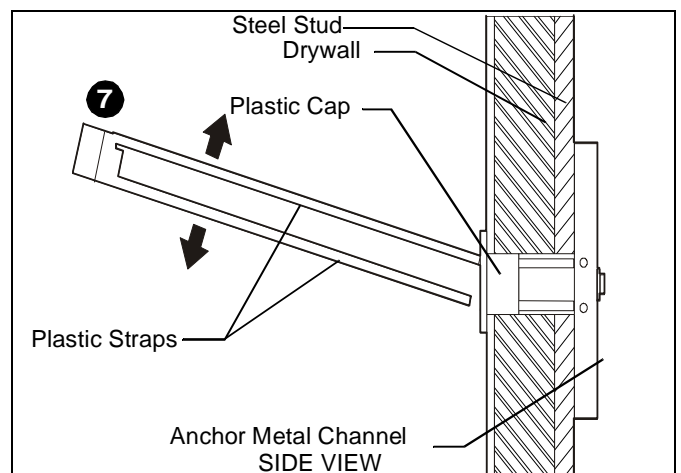


Figure 5

9. Place adapter plate (A) over anchors and align mounting holes on mount with holes in anchors. (See Figure 6) or (See Figure 7)
10. Use two 1/4-20 x 1 3/4" Phillips pan machine screws (B), two screw caps (F) and two 1/4" washers (C) to secure adapter plate (A) to anchors (D) using top and bottom mounting holes. (See Figure 6) or (See Figure 7)

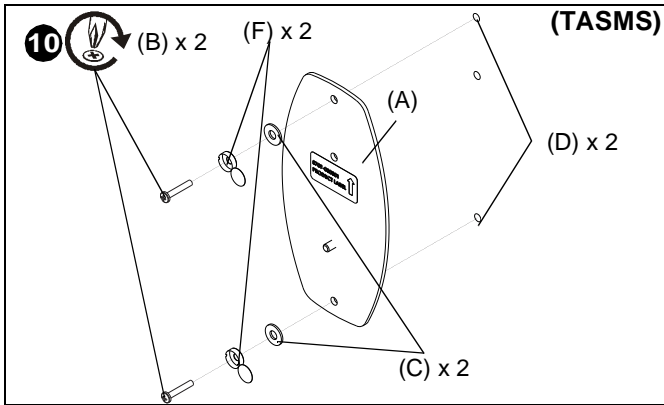


Figure 6

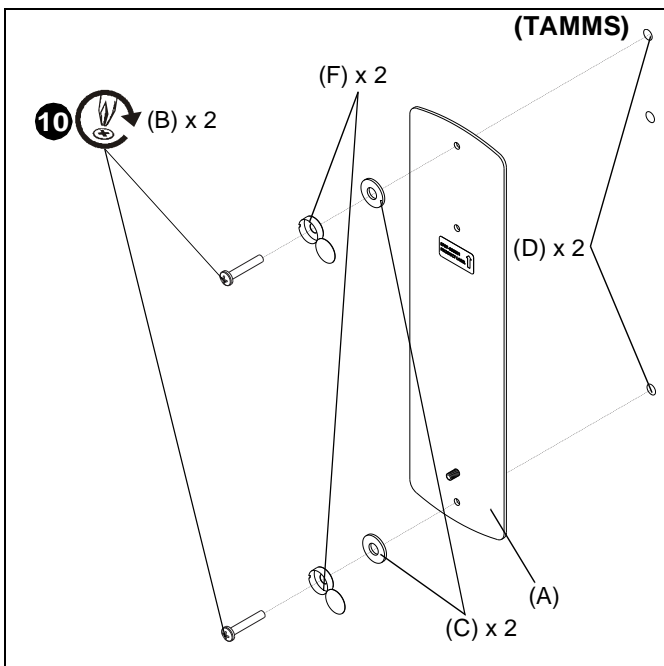


Figure 7

11. Use 1/4-20 hex nut (E) to secure Thinstall mounting system to adapter plate (A). (See Figure 8) or (See Figure 9)
12. Use 1/4-20 x 1 3/4" Phillips pan machine screw (B) and 1/4" washer (C) to secure Thinstall™ mounting system to adapter plate (A). (See Figure 8) or (See Figure 9)

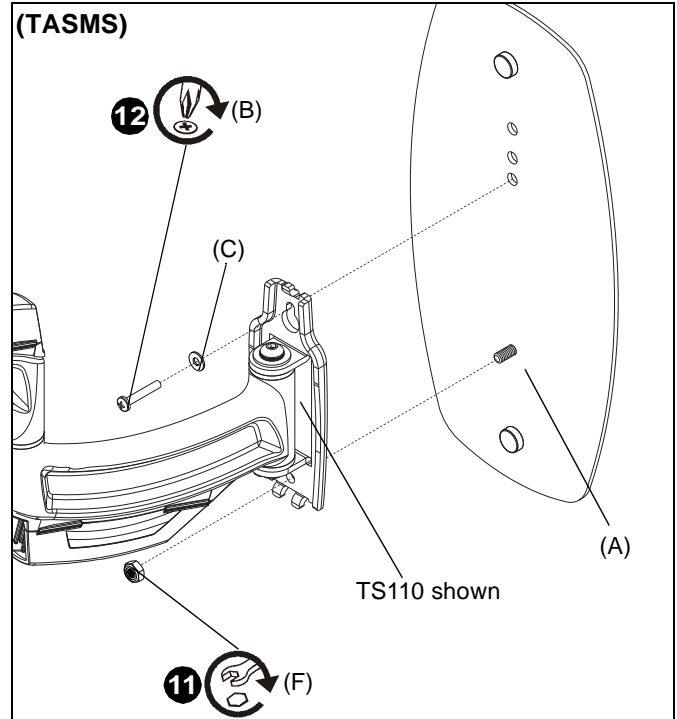


Figure 8

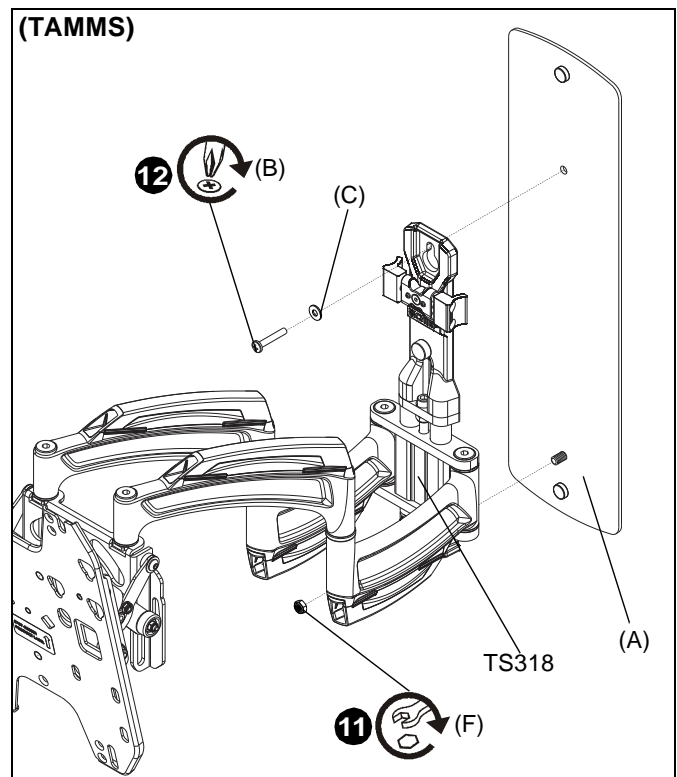


Figure 9

13. Install Thinstall™ mount to wall plate following Thinstall™ installation instructions.











Our Mounts. **Your Vision.**

Chief, a products division of  
Milestone AV Technologies

8800-002956 Rev01  
©2017 Milestone AV Technologies  
[www.milestone.com](http://www.milestone.com)  
05/17

<b>USA/International</b>	<b>A</b> 6436 City West Parkway, Eden Prairie, MN 55344 <b>P</b> 800.582.6480 / 952.225.6000 <b>F</b> 877.894.6918 / 952.894.6918
<b>Europe</b>	<b>A</b> Franklinstraat 14, 6003 DK Weert, Netherlands <b>P</b> +31 (0) 495 580 852 <b>F</b> +31 (0) 495 580 845
<b>Asia Pacific</b>	<b>A</b> Office No. 918 on 9/F, Shatin Galleria 18-24 Shan Mei Street Fotan, Shatin, Hong Kong <b>P</b> 852 2145 4099 <b>F</b> 852 2145 4477

