
INSTALLATION INSTRUCTIONS

TRUSS MOUNT

TPA-112

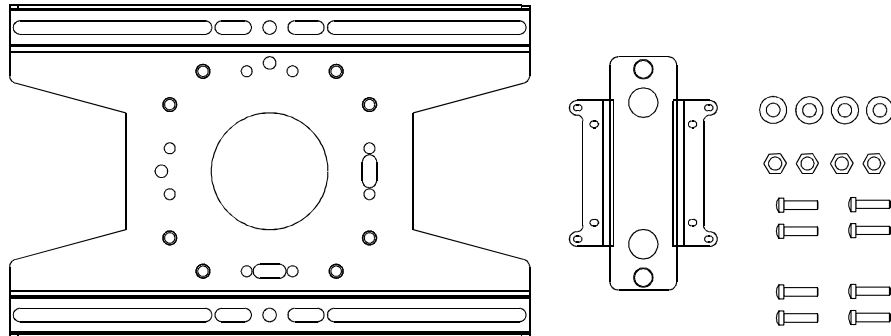


Figure 1. Parts

- | | |
|--|--|
| (1) PLATE, back | (4) SCREW, Pan Head, M4-.7X10mm |
| (1) ADAPTER, VESA Flat Panel Interface | (4) SCREW, Pan Head, M4-.7X20mm |
| (4) NUT, Nylock, 5/16-18 | (4) Nylon, Spacer, .5 X .194 ID X .0375" |

BEFORE PROCEEDING: Unpack the carton, verify contents shown in Figure 1 and read installation instructions completely. If you are missing any of the listed components, please contact Customer Service at 1-800/582-6480.

CAUTION! PLASMA DISPLAYS ARE EXTREMELY FRAGILE.

WARNING! ALL COMPONENTS MUST BE SECURELY FASTENED TO A STRUCTURAL MEMBER CAPABLE OF SUPPORTING 4 TIMES THE COMBINED WEIGHT OF ALL COMPONENTS PLUS THE EQUIPMENT BEING MOUNTED. IF IT CANNOT SUPPORT THIS WEIGHT, THE STRUCTURE MUST BE REINFORCED. THE MAXIMUM WEIGHT TO BE INSTALLED ON THE MOUNT IS 150 POUNDS (68.04 KG).

Mount 75mm or 100mm VESA Pattern Display:

1. For displays with a flat mounting surface, place adapter bracket over four mounting holes and secure using four M4 X 10 PHCS screws (75mm see Figure 2, Figure 3 and Figure 4) (100 mm see Figure 2 and Figure 5).
2. For displays with a recessed mounting surface, place four 5 X .194 ID X .0375" Nylon spacers over four mounting holes (see Figure 6).
3. For displays with a recesses mounting surface, place adapter bracket over four spacers and secure using four M4 X 20 PHCS screws (see Figure 7).



CHIEF MANUFACTURING INC.
1-800-582-6480 952-894-6280 FAX 952-894-6918
12800 HIGHWAY 13 SOUTH, SUITE 500
SAVAGE, MINNESOTA 55378 USA

8832-000020 Rev A
2003 Chief Manufacturing
www.chiefmfg.com
02/06

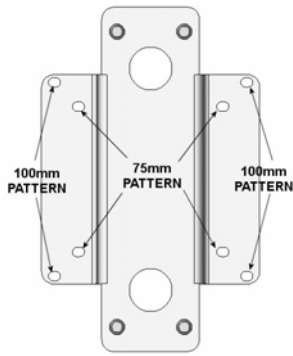


Figure 2

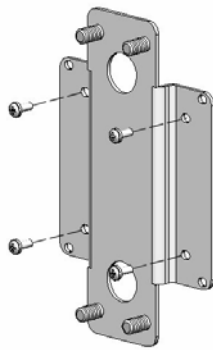


Figure 3

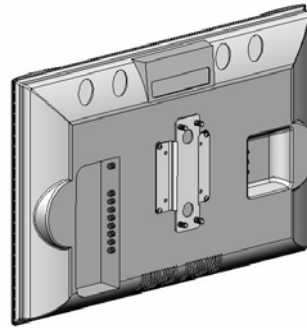


Figure 4

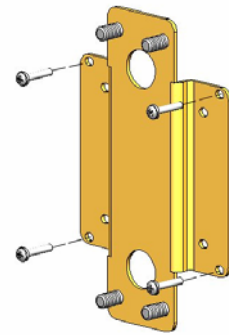


Figure 5

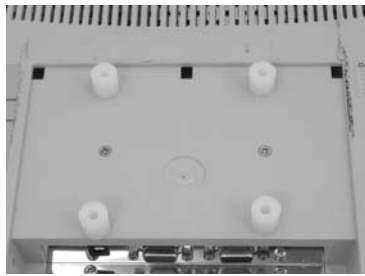


Figure 6

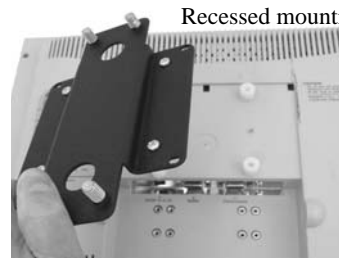


Figure 7

Install VESA Flat Panel Interface Adapter To Back Plate:

1. Install VESA flat panel interface adapter to back plate using four 5/16-18 Nylock nuts (see Figure 8).
2. Securely anchor the back plate to framework using Chief TPK accessory clamps or equivalent rated for the required load (see WARNING).

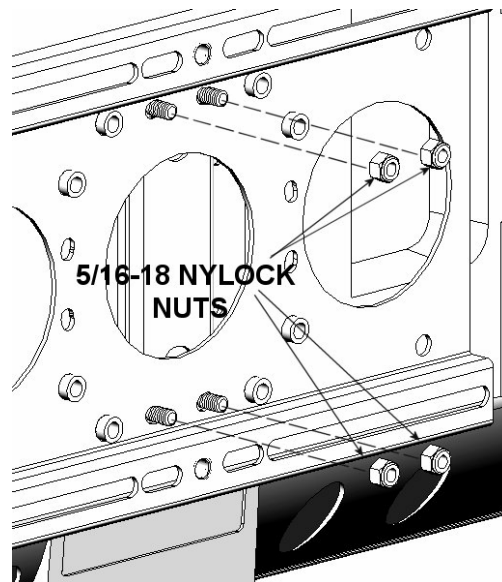


Figure 8