

Instruction Sheet

Raxxess UCR Under Counter Rack

Contained in this package are the parts necessary to convert a (Large) Config-u-raxx Center Desk to a center desk with an "Under Counter Rack".

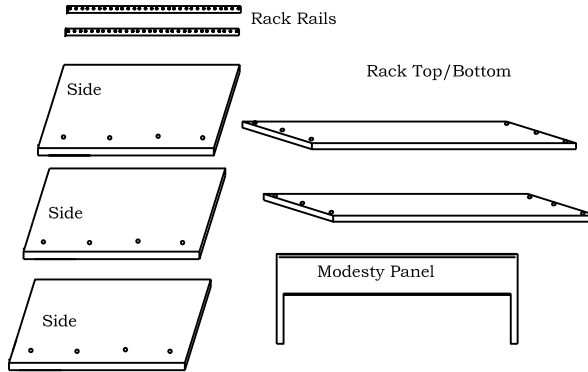
Open the packaging, and place the components on a table, or on the floor.

You should have:

- 3 Sides (20" x 18" melamine panels)
- 2 Top/bottom pieces (36" x 20" panels)
- 1 Pr. rack rails 17-1/2" long black steel rails
- 1 Hardware package
- 1 Set of 4 casters
- 1 Steel Modesty panel (wide steel thingie)



Casters



Step One: ASSEMBLE THE CPU RACK

Screw the rack rails to two of the sides, using the black #10 x 5/8" wood screws.

Illustration I

They go into the 1/4" holes in the rails, and into the 1/16" pilot holes in the sides.

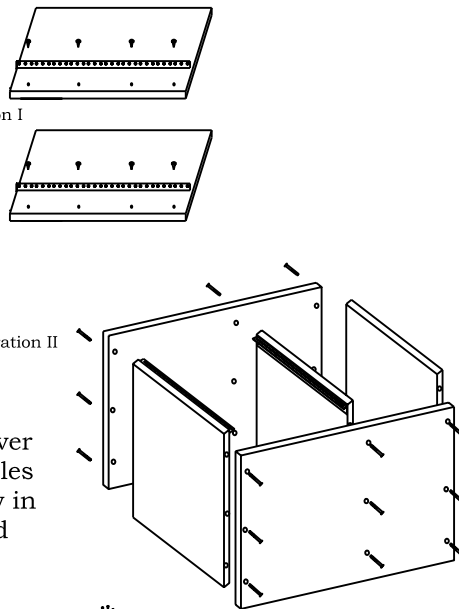
Threaded holes facing front.

Next, lay one of the sides next to a top/bottom piece, Being sure to locate all holes in the top/ bottom panels to the **outside** of the assembly.

Then run in the confirmat screws (2" long black wood screws), using the supplied hex key. Then, install the other two sides, being sure to place the rails facing each other as in Illustration II.

Illustration I

Illustration II



The last part of the CPU rack assembly is to flip it over and install the casters. There are (16) 1/16" pilot holes on the underside of the CPU rack. The casters screw in place with the same 5/8" wood screws that you used to attach your rack rails, using four screws for each caster, as shown in Illustration III.

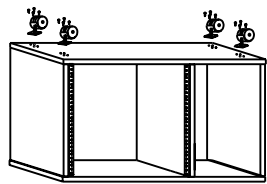
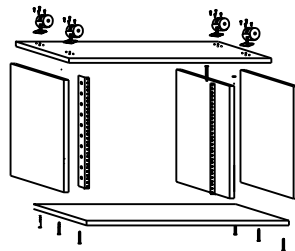
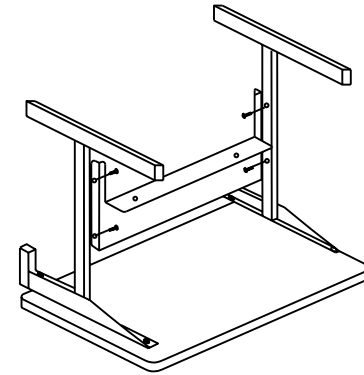


Illustration III



Step Two: Now that the rack is complete, we need to give it a home. If you previously purchased the center desk, and are now adding the CPU Rack, you need to turn the desk over, and remove the modesty panel. This is done by removing the four screws that hold it in place. If you are building the Center Desk now, place the tabletop on a clean rug or pad, then assemble the legs to the top, as in the instructions that came with it.

Place the Modesty Panel between the legs of the desk as shown, and screw it in place using four 1/4-20 screws, securing it to both legs.



Step Three: Turn the desk over, place it in position, and roll the rack under the desk. There are two "captive" screws that you can use to attach the rack to the underside of the desk, and these can be replaced with standard screws for permanent attachment, if you prefer.

