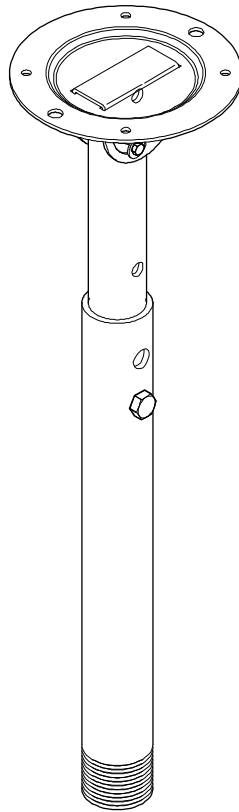


---

# INSTALLATION INSTRUCTIONS

---



---

**Projector Mount Accessory**

---

**DISCLAIMER**

CSAV, Inc., and its affiliated corporations and subsidiaries (collectively, "CSAV"), intend to make this manual accurate and complete. However, CSAV makes no claim that the information contained herein covers all details, conditions or variations, nor does it provide for every possible contingency in connection with the installation or use of this product. The information contained in this document is subject to change without notice or obligation of any kind. CSAV makes no representation of warranty, expressed or implied, regarding the information contained herein. CSAV assumes no responsibility for accuracy, completeness or sufficiency of the information contained in this document.



**WARNING:** Failure to read, thoroughly understand, and follow all instructions can result in serious personal injury, damage to equipment, or voiding of factory warranty! It is the installer's responsibility to make sure all components are properly assembled and installed using the instructions provided.



**WARNING:** Failure to provide adequate structural strength for this component can result in serious personal injury or damage to equipment! It is the installer's responsibility to make sure the structure to which this component is attached can support five times the combined weight of all equipment. Reinforce the structure as required before installing the component.



**WARNING:** Exceeding the weight capacity can result in serious personal injury or damage to equipment! It is the installer's responsibility to make sure the combined weight of all components located between the projector up to (and including) the display/projector does not exceed 50 lbs (23 kg).

**! IMPORTANT WARNINGS AND CAUTIONS!**



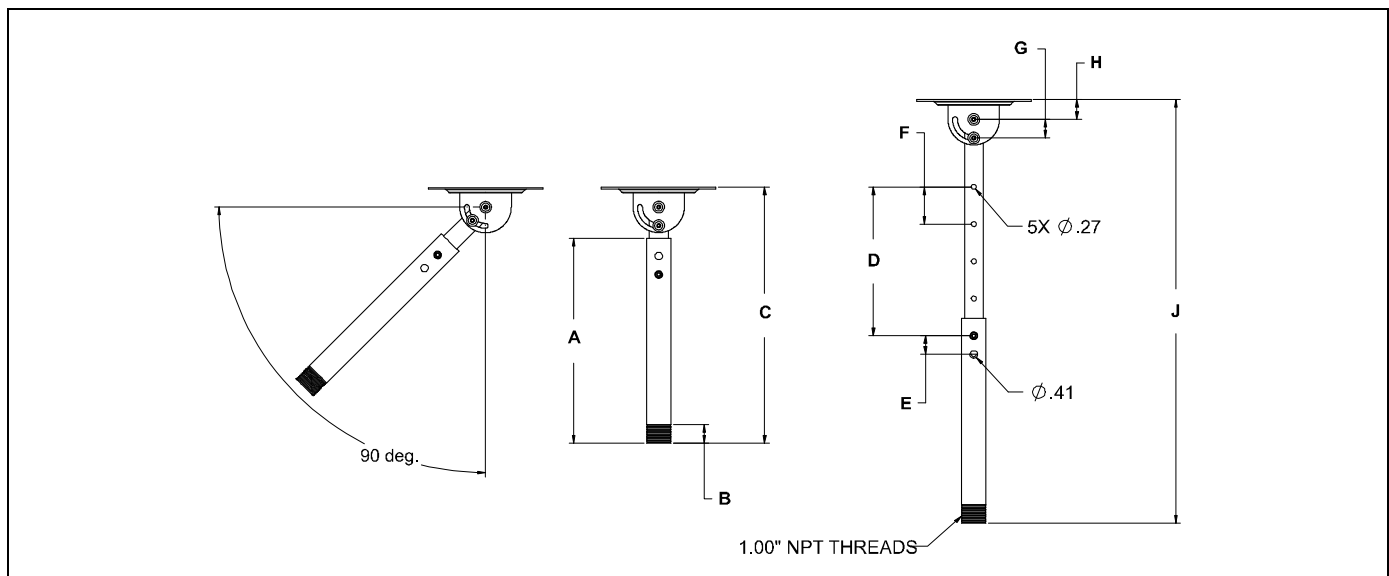
**WARNING:** A WARNING alerts you to the possibility of serious injury or death if you do not follow the instructions.



**CAUTION:** A CAUTION alerts you to the possibility of damage or destruction of equipment if you do not follow the corresponding instructions.

**DIMENSIONS**

		A	B	C	D	E	F	G	H	J
UMA1002	mm	279.40	25.40	349.25	203.20	25.40	50.80	25.40	26.98	577.85
	in	11.00	1.00	13.75	8.00	1.0	4x 2.00	1.0	1.06	22.75
		A	B	C	D	E	F	G	H	J
UMA1003	mm	533.40	25.40	603.25	203.20	25.40	50.80	25.40	26.98	1085.85
	in	21.00	1.00	23.75	8.00	1.00	4x 2.00	1.00	1.06	42.75



**LEGEND**

	<b>Tighten Fastener</b>
	Apretar elemento de fijación
	Befestigungsteil festziehen
	Apertar fixador
	Serrare il fissaggio
	Bevestiging vastdraaien
Serrez les fixations	

	<b>Loosen Fastener</b>
	Aflojar elemento de fijación
	Befestigungsteil lösen
	Desapertar fixador
	Allentare il fissaggio
	Bevestiging losdraaien
Desserrez les fixations	

	<b>Phillips Screwdriver</b>
	Destornillador Phillips
	Kreuzschlitzschraubendreher
	Chave de fendas Phillips
	Cacciavite a stella
	Kruiskopschroevendraaier
Tournevis à pointe cruciforme	

	<b>Open-Ended Wrench</b>
	Llave de boca
	Gabelschlüssel
	Chave de bocas
	Chiave a punte aperte
	Steeksleutel
Clé à fourche	

	<b>By Hand</b>
	A mano
	Von Hand
	Com a mão
	A mano
	Met de hand
À la main	

	<b>Hex-Head Wrench</b>
	Llave de cabeza hexagonal
	Sechskantschlüssel
	Chave de cabeça sextavada
	Chiave esagonale
	Zeskantsleutel
Clé à tête hexagonale	

	<b>Pencil Mark</b>
	Marcar con lápiz
	Stiftmarkierung
	Marcar com lápis
	Segno a matita
	Potloodmerkteken
Marquage au crayon	

	<b>Drill Hole</b>
	Perforar
	Bohrloch
	Fazer furo
	Praticare un foro
	Gat boren
Percez un trou	

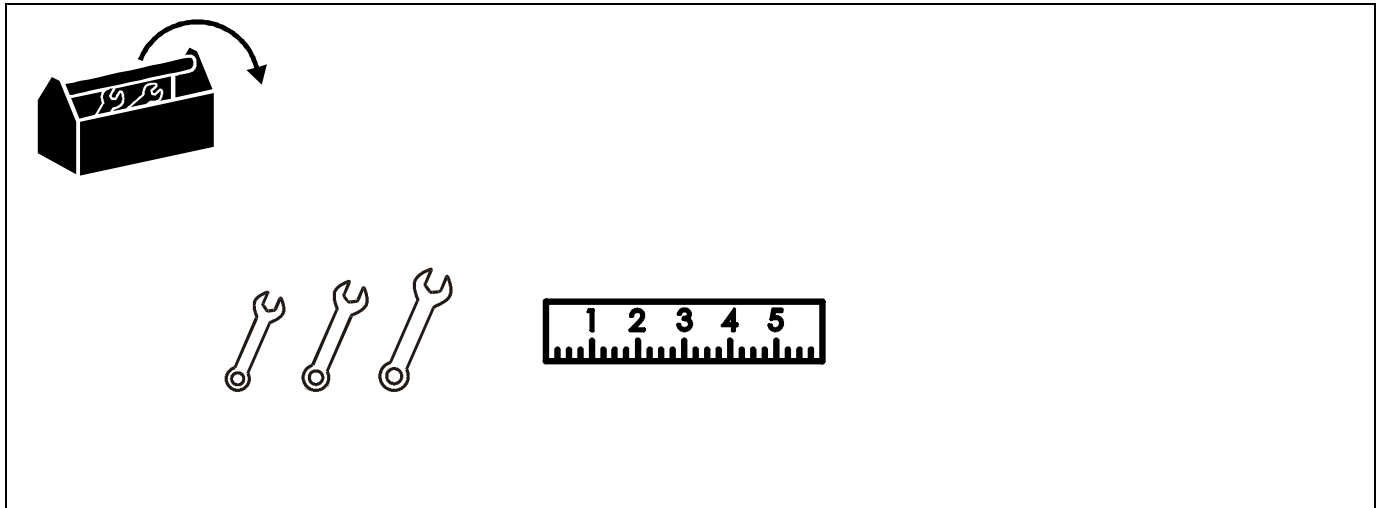
	<b>Adjust</b>
	Ajustar
	Einstellen
	Ajustar
	Regolare
	Afstellen
Ajuster	

	<b>Remove</b>
	Quitar
	Entfernen
	Remover
	Rimuovere
	Verwijderen
Retirez	

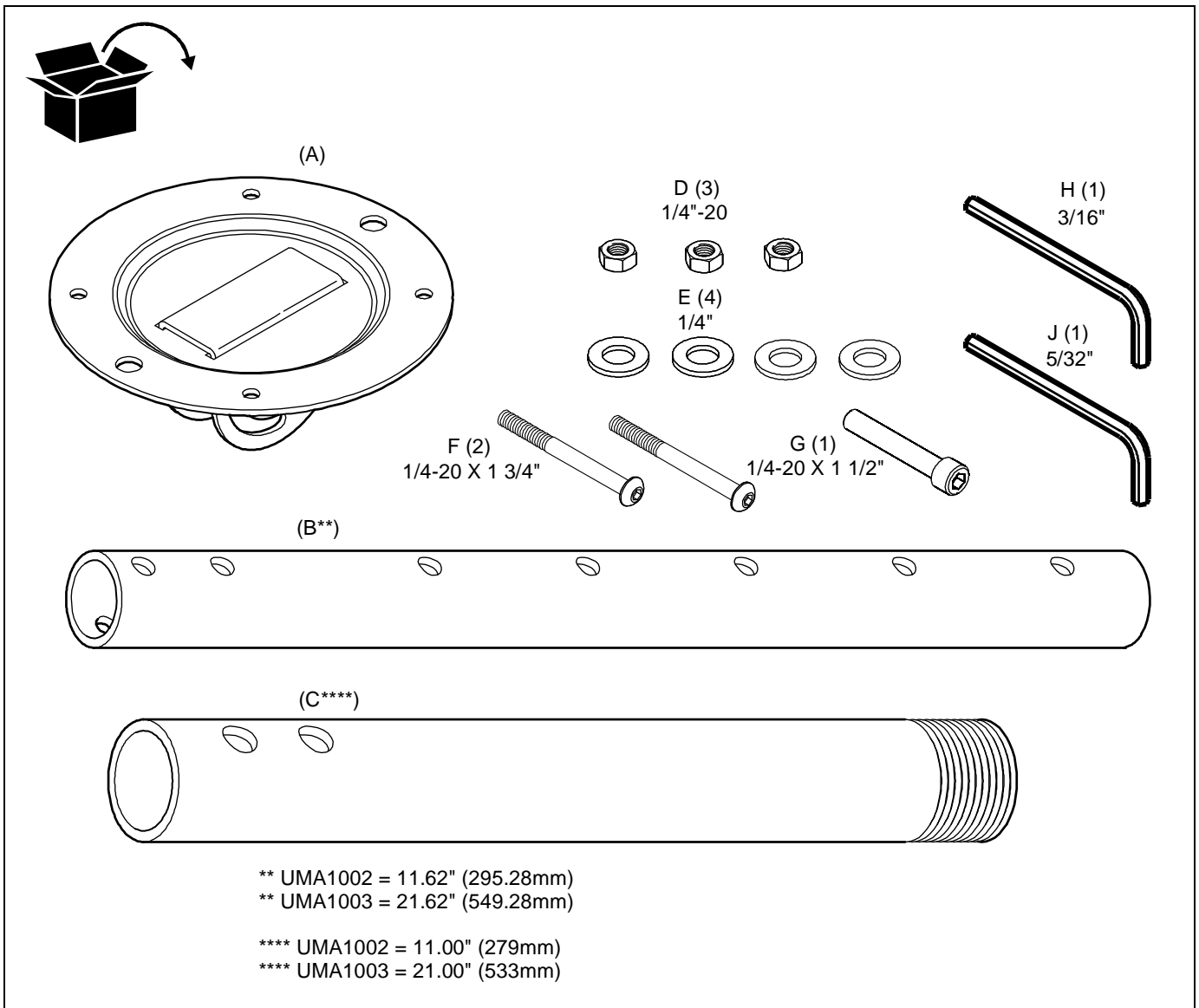
	<b>Optional</b>
	Opcional
	Optional
	Opcional
	Opzionale
	Optie
En option	

	<b>Security Wrench</b>
	Llave de seguridad
	Sicherheitsschlüssel
	Chave de segurança
	Chiave di sicurezza
	Veiligheidssleutel
Clé de sécurité	

**TOOLS REQUIRED FOR INSTALLATION**



**PARTS**



## INSTALLATION

The UMA can be mounted by driving lag bolts directly into wooden support stud in ceiling or, if area above ceiling is accessible, by using through holes and securing with hex head cap screws, washers and nuts. Both installations are described below.



**WARNING:** IMPROPER INSTALLATION CAN LEAD TO MOUNT FALLING LEADING TO SERIOUS PERSONAL INJURY OR DAMAGE TO EQUIPMENT. It is the installers responsibility to make sure the structure to which the mount is being installed is capable of supporting 4 times the stated capacity of the mount.

### Installation into Ceiling Frame Member

1. Identify desired installation location.
2. Using a stud finder or similar method locate framing member.
3. Place ceiling plate (A) against ceiling and align two large holes in ceiling plate (A) with studs. (See Figure 1)
4. Secure ceiling plate to ceiling using two 3/8" lag bolts. (3/8" Lag bolts required but not included) (See Figure 1)

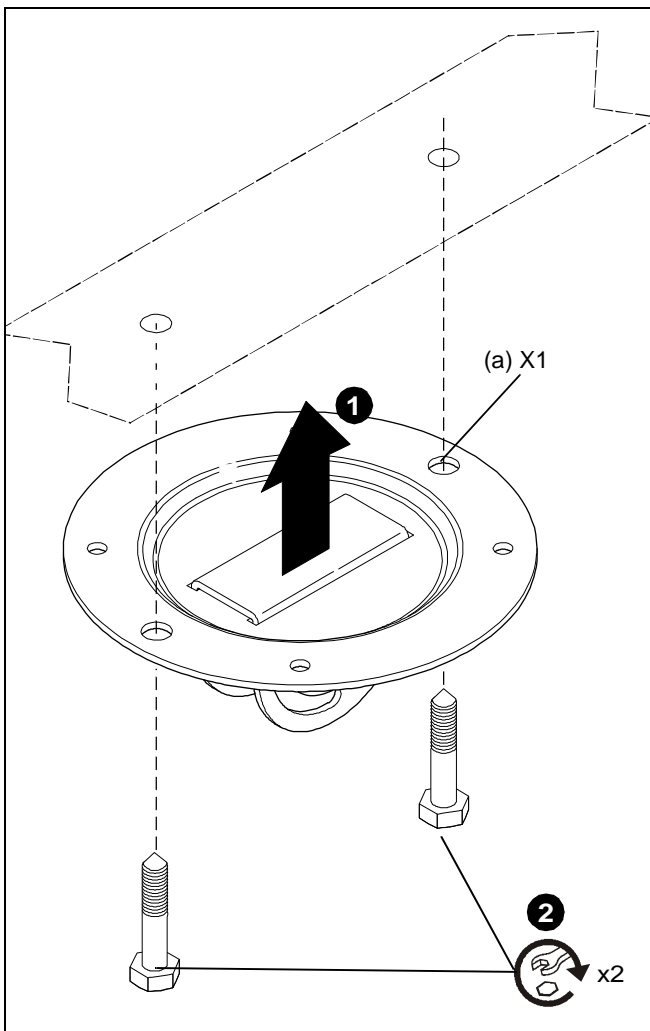


Figure 1

### Installation with Above Ceiling Access

1. Identify desired installation location.
2. Place ceiling plate (A) against ceiling and mark four mounting hole locations. (See Figure 2)
3. Drill four 1/4" pilot holes through ceiling.
4. Secure ceiling plate to ceiling using four 1/4" hex head cap screws, four 1/4" flat washers, and four 1/4" hex nuts. (1/4" hardware required but not provided) (See Figure 2)

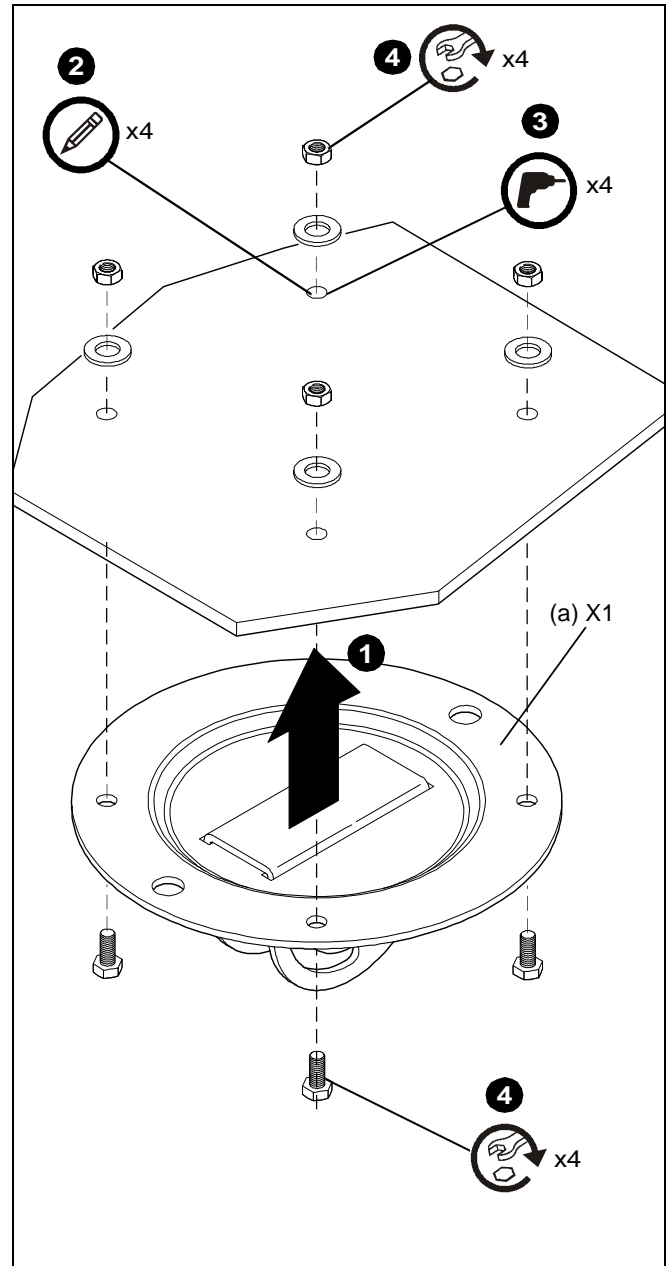
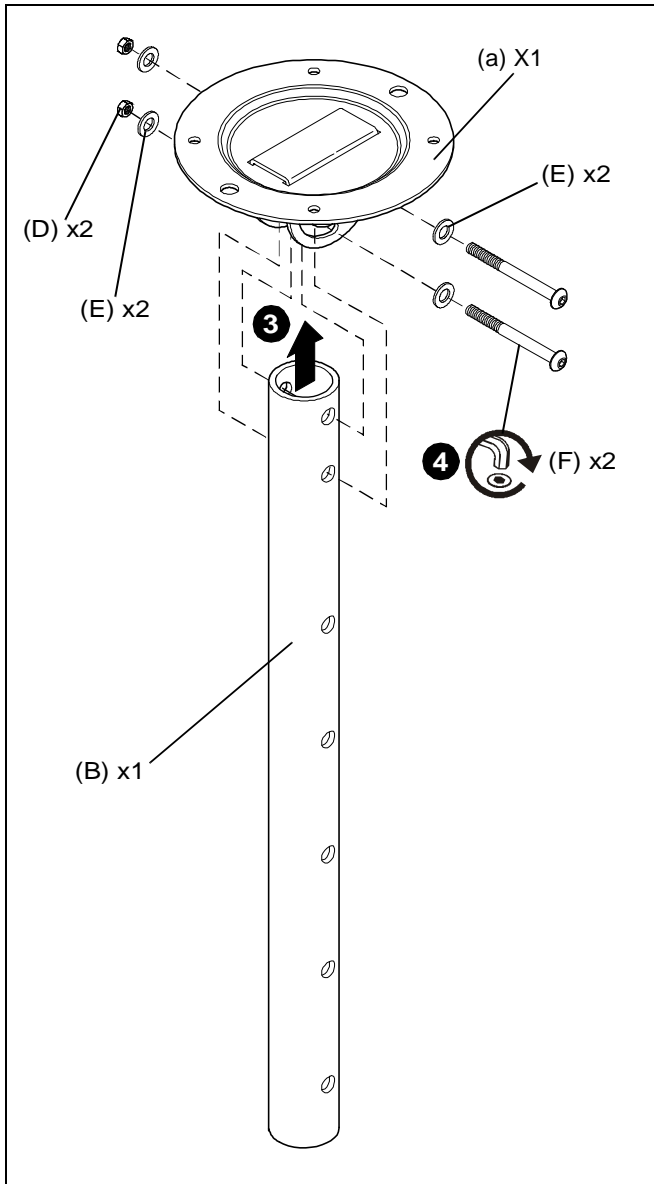


Figure 2

**Install Adjustable Columns to Ceiling Plate**

1. Orient inner column (B) as shown below. (See Figure 3)
2. Slide inner column (B) upward and between mounting tabs in ceiling plate (A). (See Figure 3)
3. Secure inner column (B) to ceiling plate (A) using two button head cap screws (F), four flat washers (E) and two lock nuts (D). (See Figure 3)

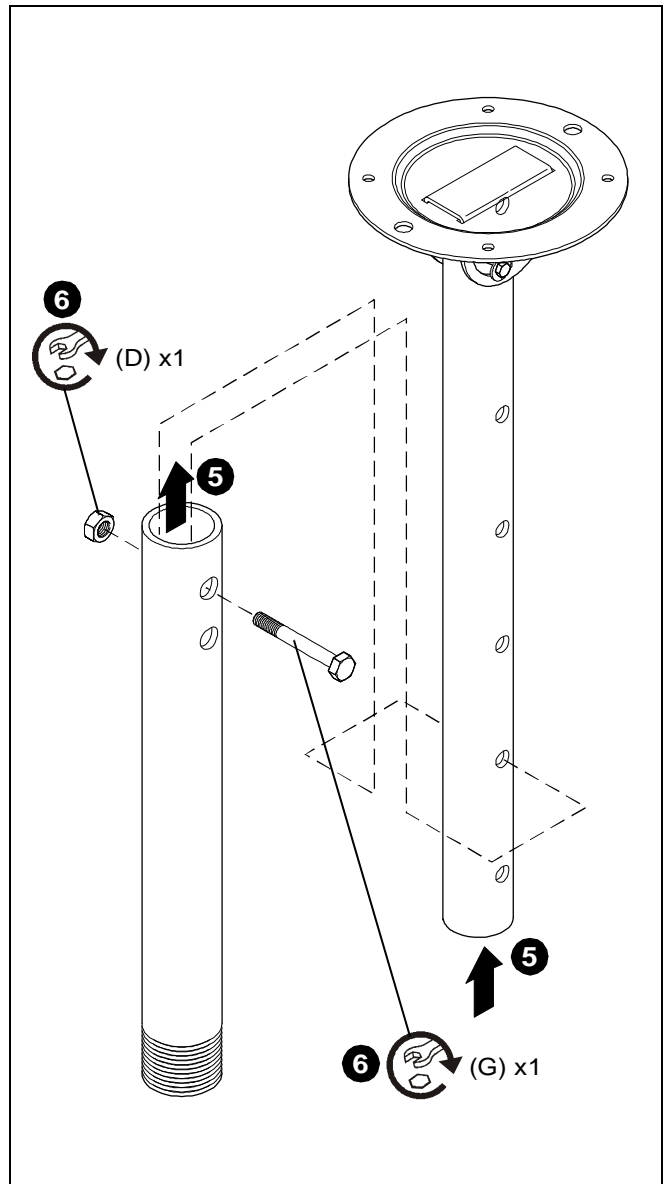


**Figure 3**

4. Determine desired projector mounting height.
5. Slide outer column (C) upward and over inner column (B) until approximate desired height is reached. (See Figure 4)

**NOTE:** The Mounting holes in the outer column are spaced 1" apart. The mounting holes in the inner column are spaced 2" apart. adjust outer column height and choose appropriate mounting hole in outer column until desired projector height is obtained.

6. Secure outer column to inner column using one hex head cap screw (G) and one lock nut (D). (See Figure 4)
7. Tighten all hardware.



**Figure 4**

**ADJUSTMENT**

The UMA is designed to be adjustable so that the projector can remain level even when installed onto an angled ceiling or similar non-level surface.

To adjust the UMA:

1. Loosen lower nut securing inner column to ceiling plate. (See Figure 5)
2. Reposition adjustable columns to desired position.
3. Tighten lower nut securing inner column to ceiling plate. (See Figure 5)

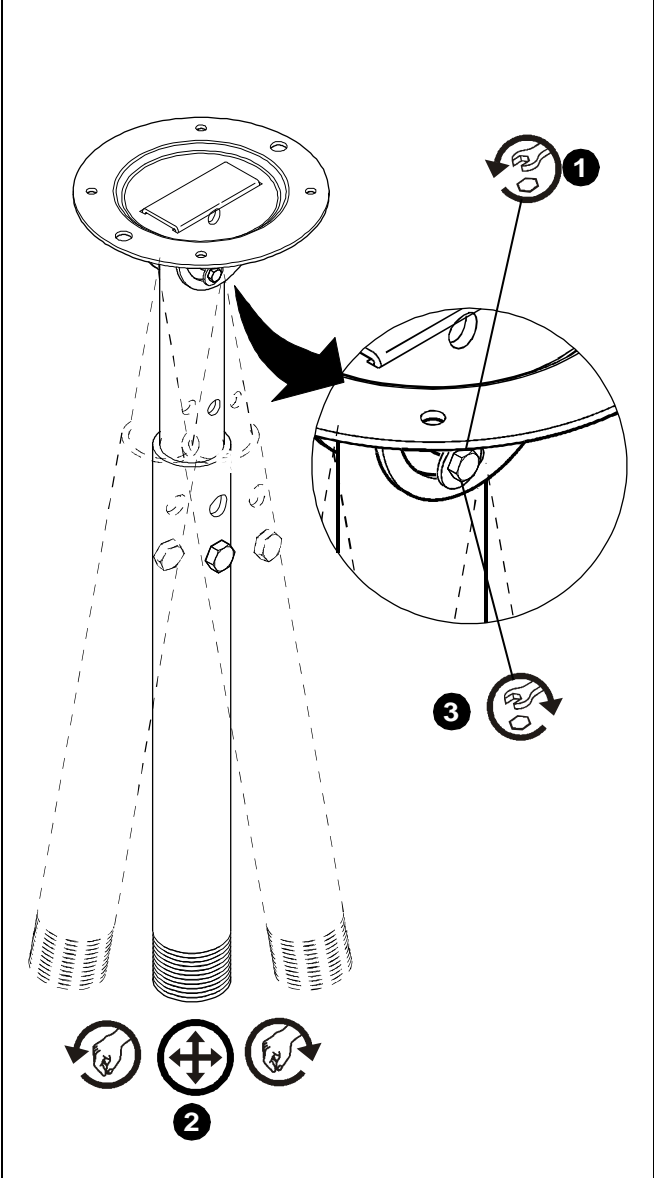


Figure 5



8802-000198 Rev A  
©2007 Chief Manufacturing  
[www.chiefmfg.com](http://www.chiefmfg.com)  
01/07

<b>USA/International</b>	<b>A</b> 8401 Eagle Creek Parkway, Savage, MN 55378 <b>P</b> 800.582.6480 / 952.894.6280 <b>F</b> 877.894.6918 / 952.894.6918
<b>Europe</b>	<b>A</b> Fellenoord 130 5611 ZB EINDHOVEN, The Netherlands <b>P</b> +31 (0)40 2668620 <b>F</b> +31 (0)40 2668615
<b>Asia Pacific</b>	<b>A</b> Room 30I, Block D, Lily YinDu International Building LuoGang, BuJi Town, Shenzhen, CHINA. Post Code: 518112 深圳市布吉罗岗百合银都国际大厦D栋30I <b>P</b> +86-755-8996 9226 ; 8996 9236 ; 8996 9220 <b>F</b> +86-755-8996 9217