

INSTALLATION INSTRUCTIONS

CEILING PLATE (UMA-1030)

The UMA-1030 Ceiling Plate is designed for ease of installation with any UPA mount.

1. Unpack and check contents:

QTY	DESCRIPTION
1	Flat Ceiling Plate (UMA-1030)
2	5/16" x 1/2" Button Head Cap Screw
2	5/16" x 1/2" Security Button Head Cap Screw
1	3/16" Security Hex Key

WARNING: IMPROPER INSTALLATION MAY RESULT IN SERIOUS PERSONAL INJURY! When mounting Chief Manufacturing accessories, the structural system and mounting method **MUST** be capable of supporting 5 times the combined weight of the total installation.
The maximum weight to be installed on the ceiling plate is 50 pounds (22.7 Kg).

2. Install ceiling plate to ceiling joists, using the mounting holes (see Figure 1).
(SEE WARNING ABOVE.)

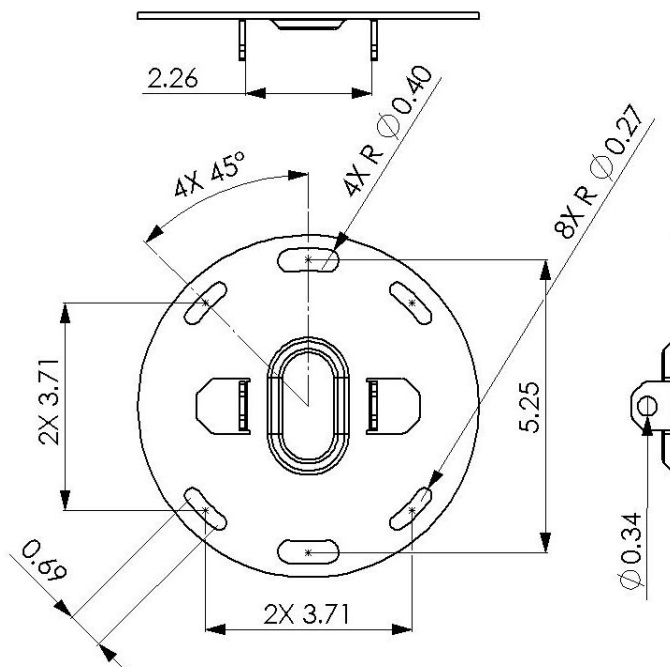
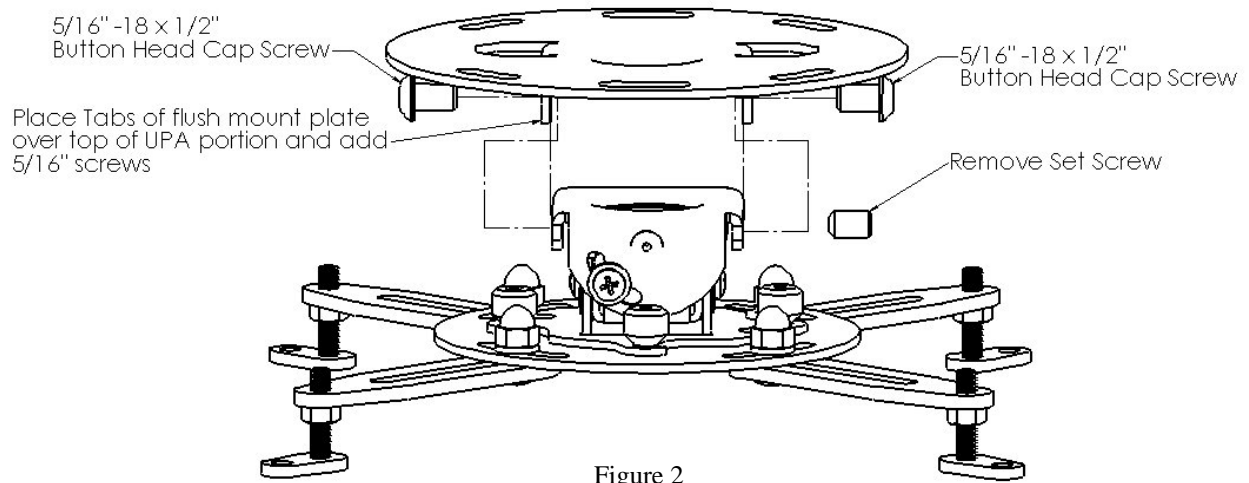


Figure 1

3. Remove the set screw from the UPA (see Figure 2).



4. Place tabs of UMA over top of UPA (see Figure 2).
5. Secure UMA to UPA using 5/16" x 1/2" Button Head Cap Screws or 5/16" x 1/2" Security Button Head Cap Screw.