



# NON-INVERTED PROJECTOR BRACKET UPC-14

Unpack carton and check contents:

- (1) RPA-000
- (1) Hanging Bracket
- (1) Cradle Bracket
- (4) 10-24 Thumb Nuts
- (4) 10-24 Nylock Nuts
- (4) #10 Flatwashers
- (5) Rubber Bumpers

### Installation Instructions:

1. Insert two of five of the rubber bumpers supplied into the inner .28 diameter holes in the hanging bracket, the other three get inserted into the .28 diameter holes in the cradle bracket.

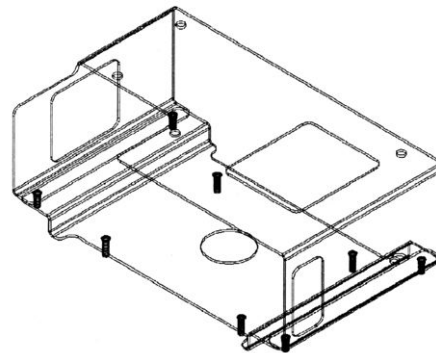
2. Install bracket cradle by carefully sliding it from the front of the projector and along its' edges forward until vertical edges of side cutouts in bracket line up with projector venting. Note! Cut out of cradle has to be matching clearance around sides, venting holes should match with projector.

3. Place hanging bracket on cradle studs, so it looks like the picture below.

4. Align four (4) outer, .25 diameter holes of hanging bracket with four (4) 10-24 by .5 inch long studs in the cradle. Install four (4) 10-24 nylock nuts with washers onto studs and tighten moderately. Rubber bumpers push against the projector holding bracket in place.

5. Review RPA instructions for final mounting. Caution! The Nylock nuts must be secured so the rubber bumpers are lightly squeezing against the projector so the projector can not fall out of the cradle bracket.

The UPC-14 will fit the SONY VPL-CS1.



**CAUTION: IMPROPER INSTALLATION MAY RESULT IN SERIOUS PERSONAL INJURY!**

The overhead support **must** be capable of supporting **five times** the weight of the mount **and** equipment combined. If it cannot support this weight, the ceiling **must** be reinforced.

