

INSTALLATION INSTRUCTIONS

UNIVERSAL STATIC MOUNT for FLAT PANEL DISPLAYS

USM-1400 Series



Figure 1

- (1) Universal Static Mount
- (1) Latching Flag
- (1) Latching Lock Hasp

- (1) 10-24 x .5 Button Head Hex Screw
- (1) 10-24 x .5 FH Undercut Screw
- (2) Nylon Washer
- (2) 10-24 Nylock Nut

BEFORE PROCEEDING: Unpack the carton, verify contents shown in Figure 1 and read installation instructions completely. If you are missing any of the listed components, please contact Customer Service at 1-800-582-6480 or 952-582-6480.

CAUTION! Flat Panel Displays are Extremely Fragile.

LATCHING FLAG INSTALLATION

1. Attach latching flag to mount using 10-24 x .5 FH Undercut Screw, Nylon washer, and Nylock nut (see Figure 2 and Figure 4). Tighten until friction holds flag in place.
2. Attach latching locking hasp to mount using 10-24 x .5 Button Head Hex Screw, Nylon washer, and Nylock nut (see Figure 3 and Figure 4). Tighten until friction holds flag in place.

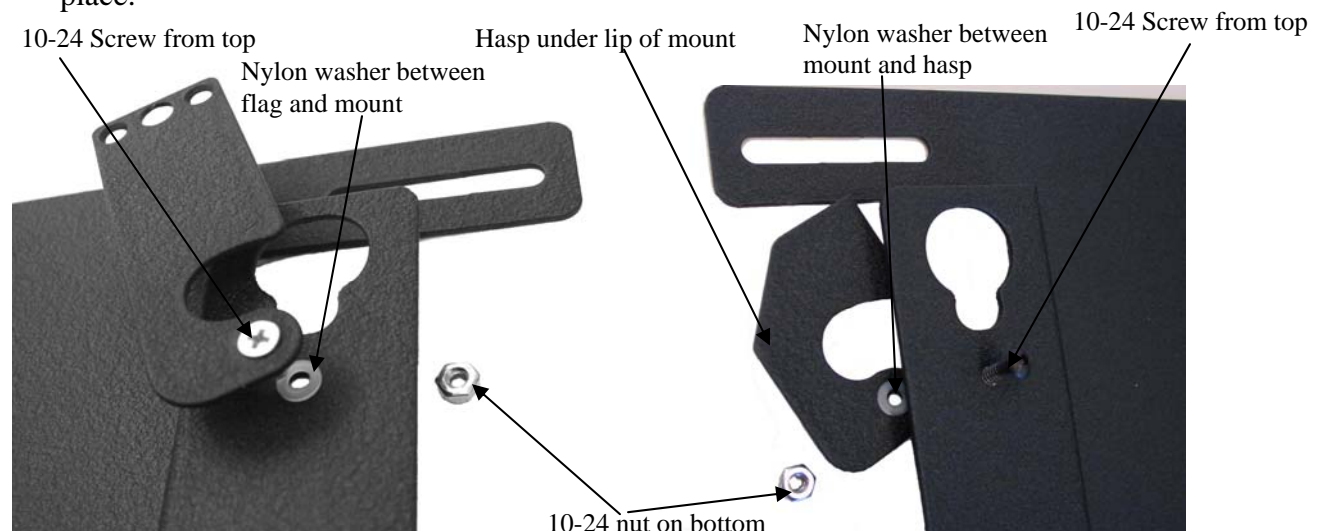


Figure 2

Figure 3



CHIEF MANUFACTURING INC.
1-800-582-6480 952-894-6280 FAX 952-894-6918
8401 EAGLE CREEK PKWY, STE 700
SAVAGE, MINNESOTA 55378 USA

8805-000030
2004 Chief Manufacturing
www.chiefmfg.com
01/04

BRACKET INSTALLATION

Using the instructions packaged with your wall mount brackets, install the wall mount brackets on your flat panel display.

MOUNT INSTALLATION

WARNING! ALL COMPONENTS MUST BE SECURELY FASTENED TO A STRUCTURAL MEMBER CAPABLE OF SUPPORTING 4 TIMES THE COMBINED WEIGHT OF ALL COMPONENTS PLUS THE EQUIPMENT BEING MOUNTED. IF IT CANNOT SUPPORT THIS WEIGHT, THE STRUCTURE MUST BE REINFORCED. THE MAXIMUM WEIGHT TO BE INSTALLED ON THE MOUNT IS 150 POUNDS (68.04 KG).

1. Securely anchor the static mount to wall studs or supporting framework (see WARNING).
2. Make sure the latching flag is lowered to the side and the locking hasp is lowered to the side before attempting to place the flat panel display on the mount.
3. With the aid of another person, lift the plasma display up to the mount, align the mounting buttons on the flat panel display with the teardrop slots in the mount, and set the plasma into place (see Figure 4).
4. Position (raise) the flag to secure the flat panel display.
5. Position (raise) the locking hasp and, if desired, install a lock to secure the flat panel display.

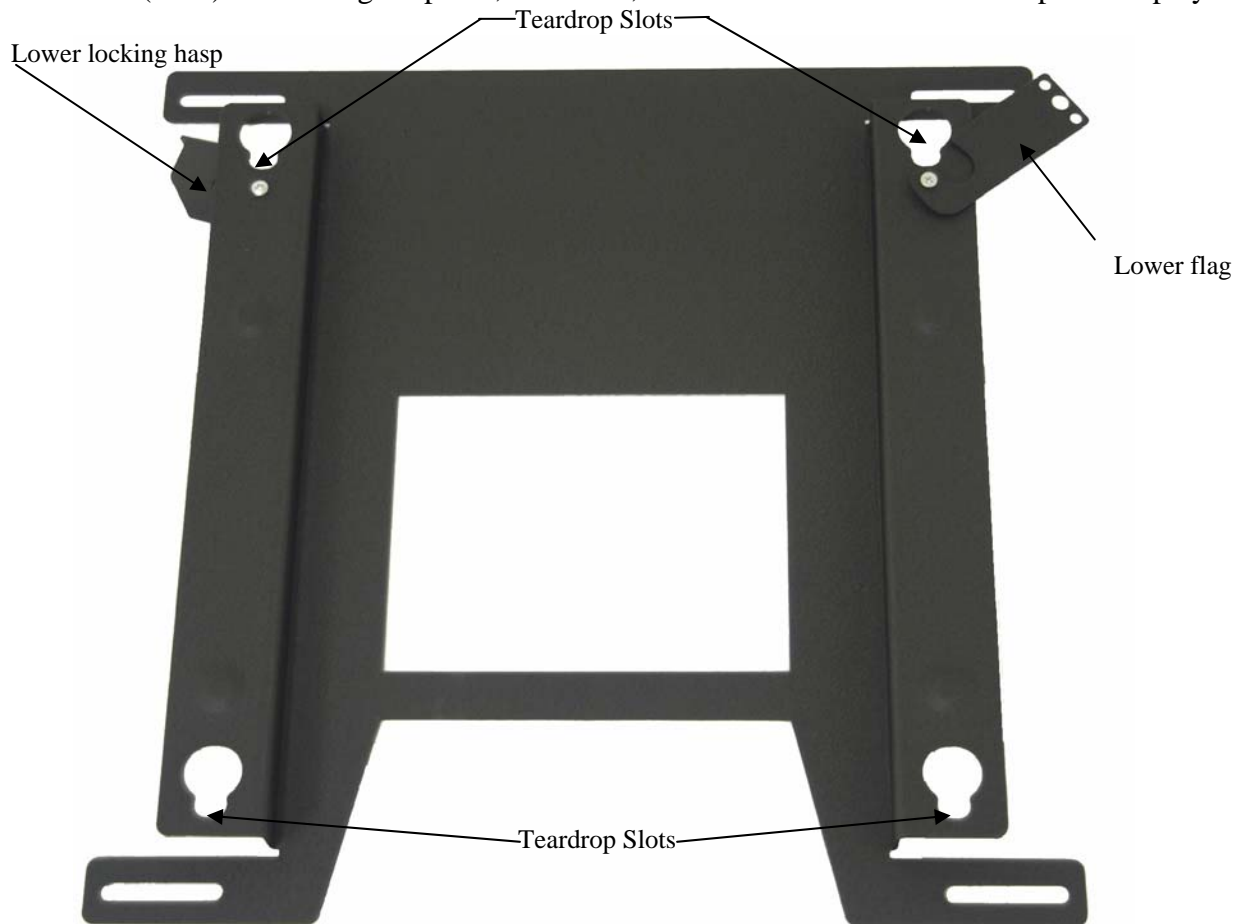


Figure 4