

SANUS SYSTEMS

THE UNION OF FORM AND FUNCTION Assembly Instructions for Model: VMCA4b-01

Thank you for choosing a Sanus Systems VisionMount™ accessory. The VMCA4b-01 is designed to adapt to 16" on center ceiling joists.

Safety Warning: If you do not understand these directions, or have any doubts about the safety of the installation, please call a qualified contractor or contact Sanus at 800.359.5520 or www.sanus.com. Check carefully to make sure that there are no missing or defective parts. Our customer service representatives can quickly assist you with installation questions and missing or damaged parts. Replacement parts for products purchased through authorized dealers will be shipped directly to you. Never use defective parts. Improper installation may cause damage or serious injury. Do not use this product for any purpose that is not explicitly specified by Sanus Systems. Sanus Systems can not be liable for damage or injury caused by incorrect mounting, incorrect assembly, or incorrect use. Please call Sanus Systems before returning products to the point of purchase.

WARNING: IMPROPER INSTALLATION MAY RESULT IN SERIOUS PERSONAL INJURY!
When mounting Chief Manufacturing accessories, the structural system and mounting method **MUST** be capable of supporting 5 times the combined weight of the total installation.

INSTALLATION INSTRUCTIONS

NOTE: The threaded center mounting hole accepts an optional standard threaded pipe (not included).

1. Using the mounting adapter plate as a template, locate and, mark two 16" on center ceiling joists.
2. Drill four 1/8" diameter pilot holes 3 1/2" deep.
3. Secure the mounting plate to the ceiling joist using four washers and lag screws provided (see Figure 1). Tighten securely.
4. Slip on both end covers and secure using two 6-32X5/16" Phillips head screws (see Figure 2).

Figure 1

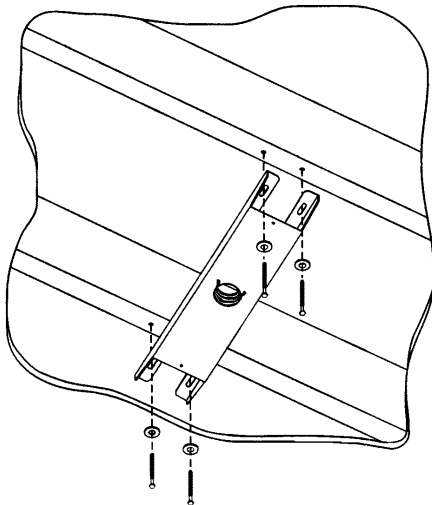


Figure 2

