

---

# INSTRUCTION MANUAL

---



The Christie Vivid Blue/Road Runner L6 ceiling mount is designed to provide fast, simple and secure ceiling installation of your Christie projector. Special roll, pitch and horizontal adjustments simplify projection positioning for image alignment. The ceiling mount also has positive registration lock, allowing projector removal without losing projector mount registration. This mount can be attached using a standard NPT 1 1/2" pipe column or an adjustable column.



# Road Runner L6

## BEFORE YOU BEGIN

---

- **CAUTION:** To prevent damage to the mount, which could affect or void the Factory warranty, thoroughly study all instructions and illustrations before you begin to install the mount. Pay particular attention to the "Important Precautions" on Page 1.
- If you have any questions about this installation, see the back page of this manual for contact information.

---

# CHRISTIE

D I G I T A L   S Y S T E M S

PART NO. 38-804711-01 (Rev. A)  
©2000 Christie Digital Systems  
[www.christiedigital.com](http://www.christiedigital.com)  
Printed in USA 12-01



## IMPORTANT WARNINGS AND CAUTIONS!

- WARNING:** A **WARNING** alerts you to the possibility of serious injury or death if you do not follow the instructions.
- CAUTION:** A **CAUTION** alerts you to the possibility of damage or destruction of equipment if you do not follow the corresponding instructions.
- **WARNING: Improper installation can result in serious personal injury! Make sure that the ceiling structural members can support a redundant weight factor *five times the total weight of the equipment*. If the ceiling can not support 700 lbs (318 Kg), reinforce the ceiling before installing the mount.**
  - **WARNING: Be aware also of the potential for personal injury or damage to the unit if it is not adequately mounted.**
  - **WARNING: The installer is responsible for verifying that the ceiling to which the mount is anchored will safely support the combined load of all attached components or other equipment.**
  - **WARNING: The weight of the projector must not exceed 250 lbs (113 kg), the maximum load capacity of the mount.**
  - **CAUTION:** To avoid personal injury or damage to the mount, be sure that it is installed square and parallel in all dimensions.
  - **CAUTION:** Check the unit for shipping damage before you begin the installation.

## CONTENTS

|   |   |
|---|---|
| TOOLS REQUIRED FOR INSTALLATION ....                          | 1 |
| INSTALL BRACKET ON PROJECTOR.....                             | 2 |
| INSTALL MOUNT .....   | 3 |
| ADJUST YAW, PITCH AND ROLL .....                              | 4 |
| HORIZONTAL ADJUSTMENT AND POSITIVE<br>REGISTRATION LOCK ..... | 5 |
| PARTS .....   | 6 |
| DEALER INFORMATION .....                                      | 8 |
| DIMENSIONAL DRAWING .....                                     | 9 |

## TOOLS REQUIRED FOR INSTALLATION

- Phillips screwdrivers, No. 1 and No. 2 TIP
- Drill and bit set
- 3/8” Wrench

**NOTE:** Other tools may be required depending on the method of installation.

## INSTALL BRACKET ON PROJECTOR

Install the bracket on your projector as follows:

1. Turn the projector upside down.
2. Place one mounting bracket section on each side of the projector, (mounting flanges toward the outside of the projector, and line-up the six mounting holes).
3. Insert, by hand, the six hex head bolts and washers provided (see Figure 1).
4. Being careful not to overtighten the screws, use the Allen wrench provided to tighten the hex screws.

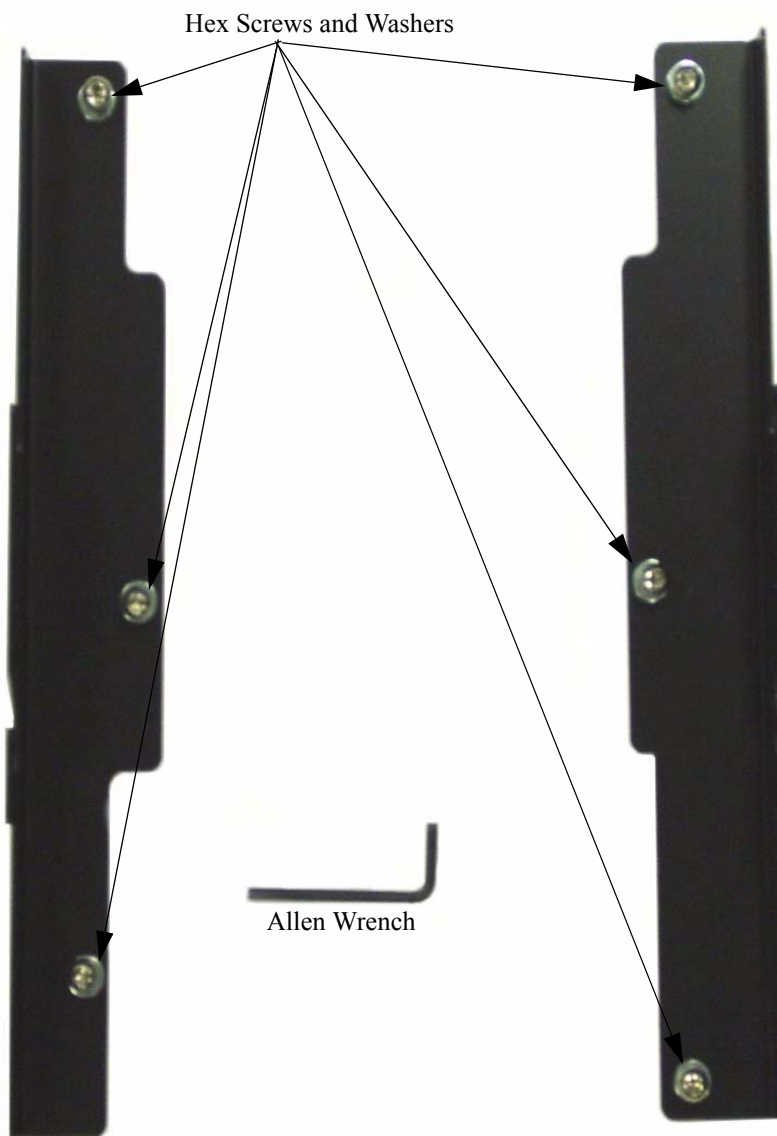


Figure 1. Bracket Installation

## INSTALL MOUNT

Install the mount as follows:

1. Attach the mount to your method of support and tighten firmly so the mount is parallel to the screen (see Figure 2).
2. Install and tighten the #5/16-18 set screw using the Allen wrench provided.

**WARNING: Installing the mount requires the presence of at least two individuals familiar with mechanical installations.**

3. Using two people, lift the projector and install it on the studs extending from the mounting plate, making sure the bracket is seated in the slots.
4. Secure the bracket to the mounting plate using the #5/16-18 flange nuts provided.

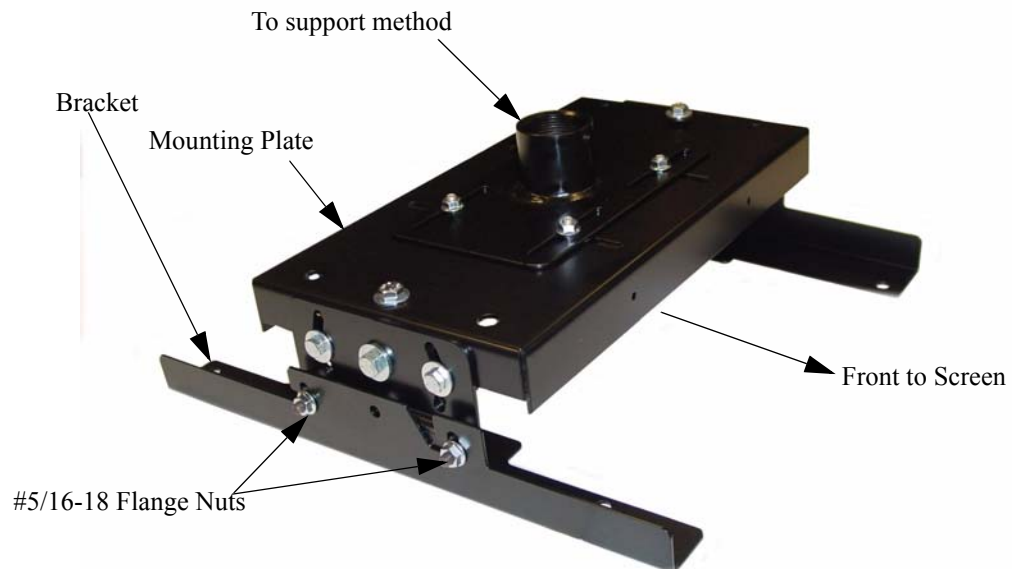


Figure 2. Install Mount

## ADJUST YAW, PITCH, AND ROLL

**WARNING: For projector alignment, mounting hardware is to be loosened only to allow for necessary movement. Excessive loosening or removal of mounting hardware may result in equipment damage, injury, or death.**

### Adjust Pitch (Vertical Elevation)

Adjust pitch using the three pitch adjustment bolts located on each side of the mounting plate. Adjust pitch as follows:

1. Loosen (slightly) three pitch adjustment bolts located on each side of the mounting plate (see Figure 3).
2. Adjust projector angle to desired pitch.
3. Tighten three pitch adjustment bolts located on each side of the mounting plate.

### Adjust Tilt (Roll)

The three mounting plate bolts must be loosened before making the tilt (roll) adjustment. Adjust tilt (roll) using the adjustment bolt on the top of the mount. Adjust roll as follows:

1. Loosen (slightly) six pitch adjustment bolts.
2. Turn tilt adjustment bolt clockwise to raise and counterclockwise to lower to desired roll position.
3. Tighten six pitch adjustment bolts.

### Adjust Yaw

Adjust Yaw as follows:

1. Loosen the #5/16-18 set screw.
2. Turn the assembly clockwise (raise) or counterclockwise (lower) to the desired yaw position.
3. Tighten the #5/16-18 set screw.

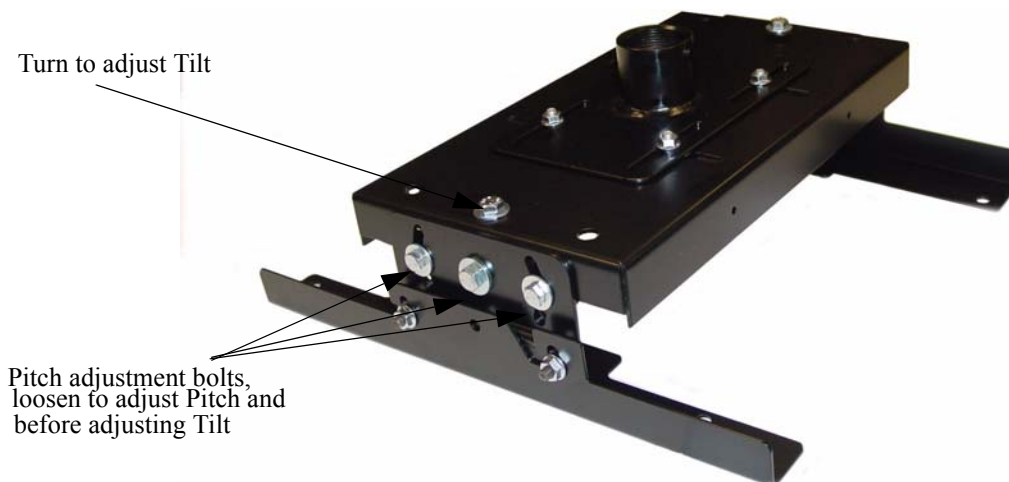


Figure 3. Adjust Yaw, Pitch, and Roll

## HORIZONTAL ADJUSTMENT AND POSITIVE REGISTRATION LOCK

**WARNING: For projector alignment, mounting hardware is to be loosened only to allow for necessary movement. Excessive loosening or removal of mounting hardware may result in equipment damage, injury, or death.**

### Horizontal Adjustment

Adjust horizontal position as follows:

1. Loosen (slightly) four horizontal adjustment bolts holding the top slide bracket on top of the mounting plate.
2. Adjust unit up to 1 1/2" in any direction.
3. Tighten four horizontal adjustment bolts holding the top slide bracket on top of the mounting plate.

### Positive Registration Lock

Remove projector without losing registration as follows:

1. Loosen, but do not remove, the four flange nuts securing the bracket to the mount.
2. Lift the projector and slide the brackets free from the mount.

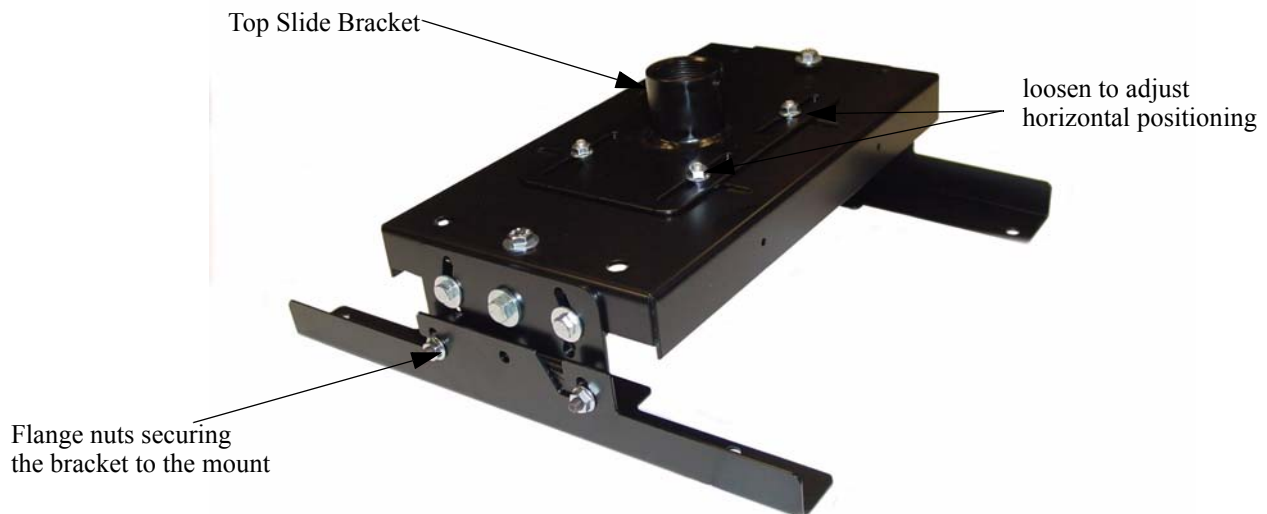
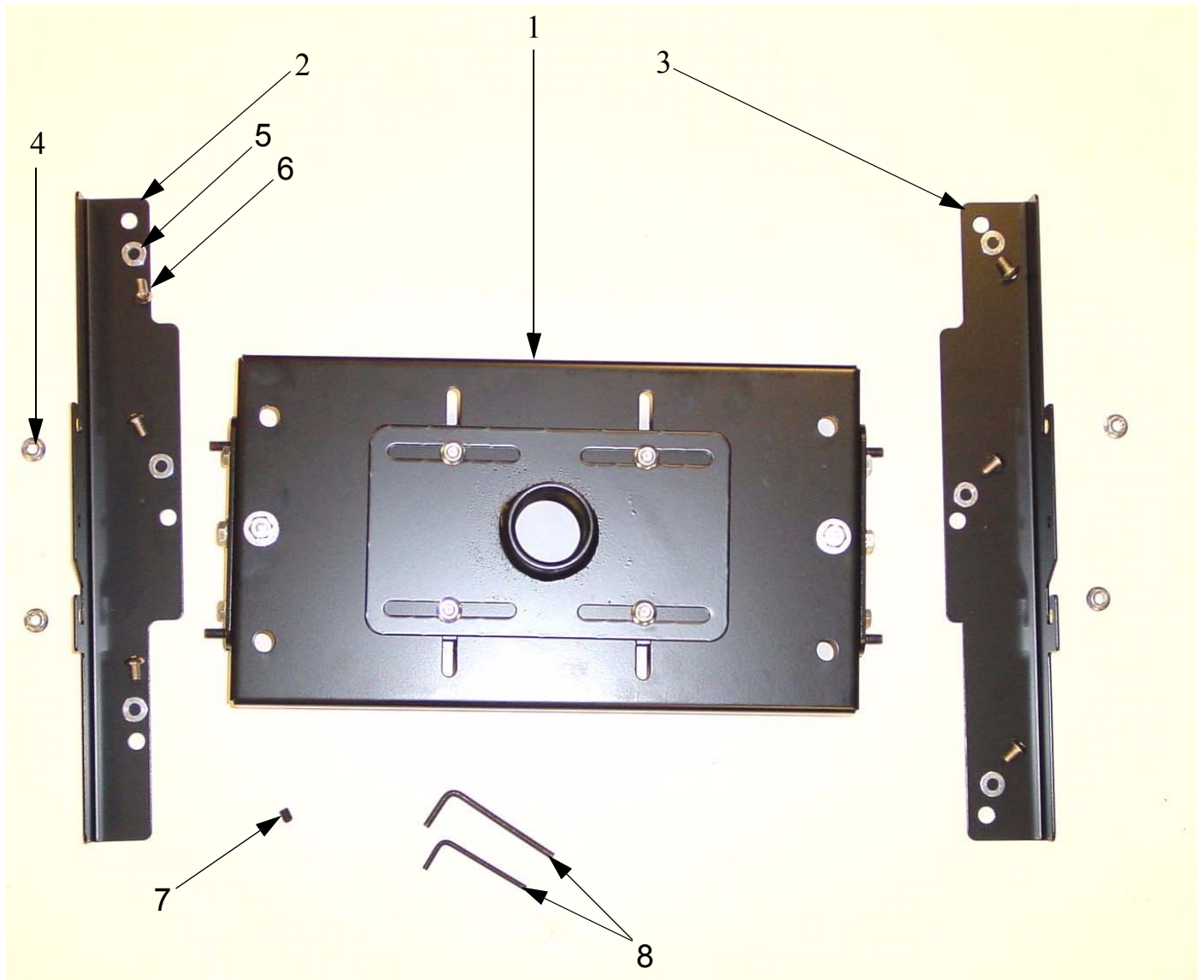


Figure 4. Horizontal Adjustment and Positive Registration Lock

## PARTS

**Table 1: Parts**

| No. | Nomenclature                    | Qty. |  | No. | Nomenclature                       | Qty. |
|-----|---------------------------------|------|--|-----|------------------------------------|------|
| 1   | MOUNT, ceiling housing assembly | 1    |  | 5   | WASHER, flat, M8                   | 6    |
| 2   | BRACKET, mounting, left         | 1    |  | 6   | SCREW, button head, M8-1.25mmX12mm | 6    |
| 3   | BRACKET, mounting, right        | 1    |  | 7   | SCREW, set, 5/16-18 X 3/8          | 1    |
| 4   | NUT, flange, 5/16"              | 4    |  | 8   | WRENCH, Allen                      | 2    |





## CHRISTIE Technical Support

### NORTH AMERICA

**CHRISTIE Digital Systems, Inc.**

809 Wellington St. North  
Kitchener, Ontario, Canada N2G 4Y7  
Tel. 519-744-8005 (*General*)  
Toll Free 1-800-221-8025  
(*Technical Support*)  
Fax 519-749-3302 (*Service*)

**CHRISTIE Digital Systems, Inc.**

10550 Camden Drive  
Cypress, CA 90630USA  
Tel. 714-236-8610 (*General*)  
Toll Free 1-800-221-8025  
(*Technical Support*)  
Fax 519-749-3302 (*Service*)

### EUROPE

**CHRISTIE Digital Systems, Inc.**

Image Point  
58 Suttons Park Ave.  
Reading, Berkshire RG6 1AZ  
United Kingdom  
Tel. +44-118-926-6300  
Fax +44-118-926-6322

**CHRISTIE Digital Systems, Inc.**

Hohenzollernstraße 124-126  
41061 Mönchengladbach  
Germany  
Tel. +49-2161-664540  
Fax +49-2161-664546

### ASIA-PACIFIC

**CHRISTIE Digital Systems, Inc.**

37 Tannery Lane  
# 03-05 Tannery House  
Singapore 347790  
Tel. 65-749-5525  
Fax 65-744-2900

**CHRISTIE Sales (Canada)**

Tel. 1-800-265-2171  
Fax 519-749-3136

**CHRISTIE Sales (U.S.)**

Tel. 1-800-407-7727 or 1-800-333-3816  
Fax 714-503-3375

# DIMENSIONAL DRAWING

