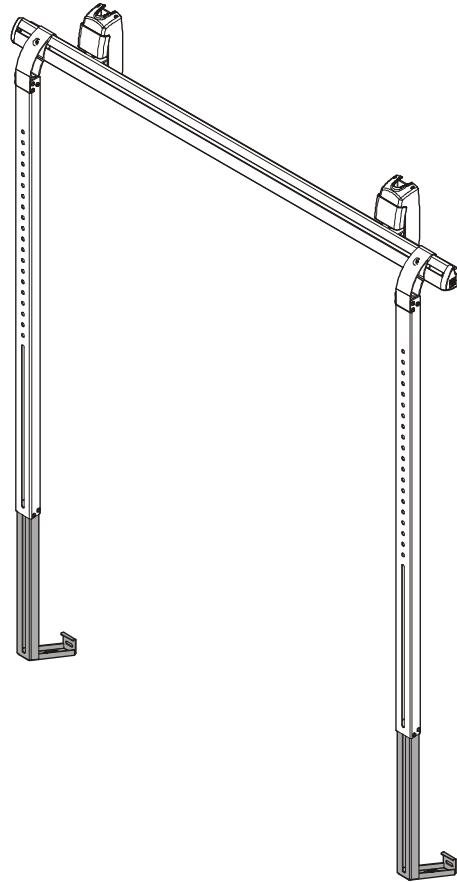

INSTALLATION INSTRUCTIONS



Interactive Board Extension Kit

DISCLAIMER

Milestone AV Technologies and its affiliated corporations and subsidiaries (collectively "Milestone"), intend to make this manual accurate and complete. However, Milestone makes no claim that the information contained herein covers all details, conditions or variations, nor does it provide for every possible contingency in connection with the installation or use of this product. The information contained in this document is subject to change without notice or obligation of any kind. Milestone makes no representation of warranty, expressed or implied, regarding the information contained herein. Milestone assumes no responsibility for accuracy, completeness or sufficiency of the information contained in this document.

Chief® is a registered trademark of Milestone AV Technologies. All rights reserved.

! IMPORTANT SAFETY INSTRUCTIONS

! WARNING: A WARNING alerts you to the possibility of serious injury or death if you do not follow the instructions.

! CAUTION: A CAUTION alerts you to the possibility of damage or destruction of equipment if you do not follow the corresponding instructions.

! WARNING: Failure to read, thoroughly understand, and follow all instructions can result in serious personal injury, damage to equipment, or voiding of factory warranty! It is the installer's responsibility to make sure all components are properly assembled and installed using the instructions provided.

! WARNING: Failure to provide adequate structural strength for this component can result in serious personal injury or damage to equipment! It is the installer's responsibility to make sure the structure to which this component is attached can support five times the combined weight of all equipment.

Reinforce the structure as required before installing the component.

! WARNING: Exceeding the weight capacity can result in serious personal injury or damage to equipment! It is the installer's responsibility to make sure the combined weight of all components attached to the WBAE does not exceed 125 lbs (56.7 kg).

! WARNING: Use this mounting system only for its intended use as described in these instructions. Do not use attachments not recommended by the manufacturer.

! WARNING: Never operate this mounting system if it is damaged. Return the mounting system to a service center for examination and repair.

! WARNING: Do not use this product outdoors.

NOTE: The WBAE is intended for used with UL Listed WBM2.

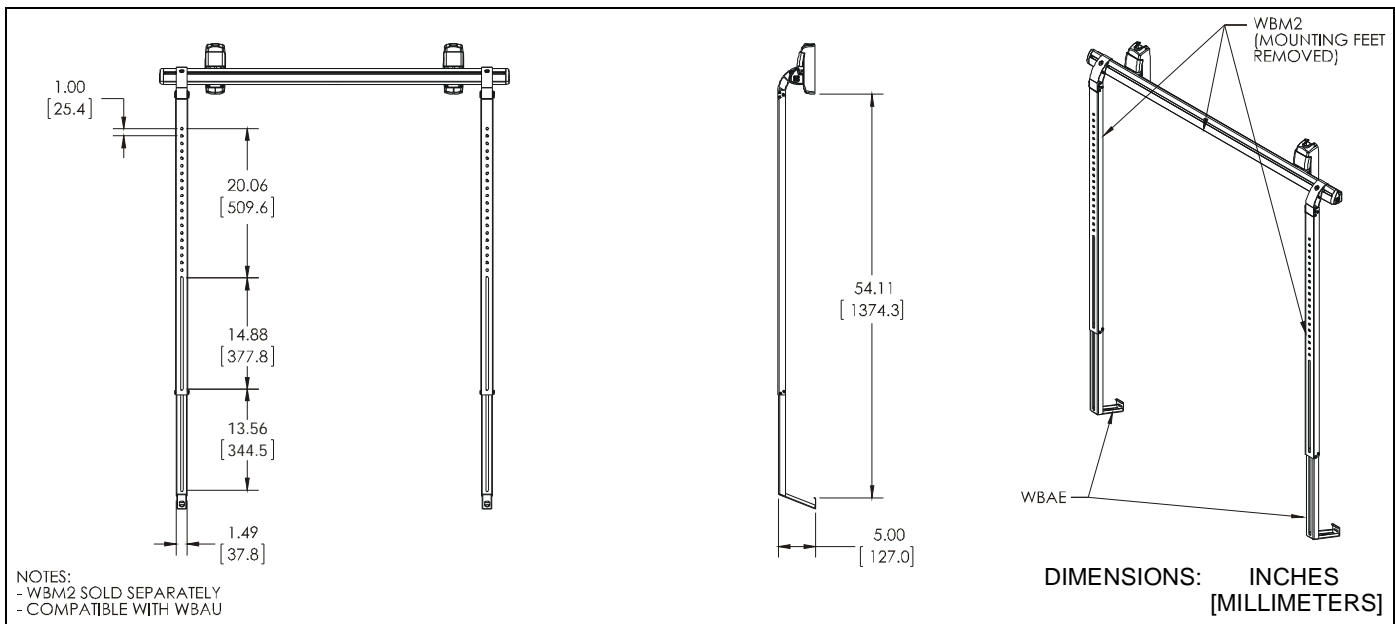
IMPORTANT ! : The WBAE is designed to be mounted to:

- a 2" x 4" wood stud wall, or
- an 8" concrete wall, or
- an 8"x8"x16" concrete block or clay brick wall, or
- drywall.



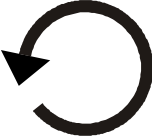



IMPORTANT ! : The WBAE extender accessory adds 13" of vertical shift to the UL Listed WBM2.

--SAVE THESE INSTRUCTIONS--

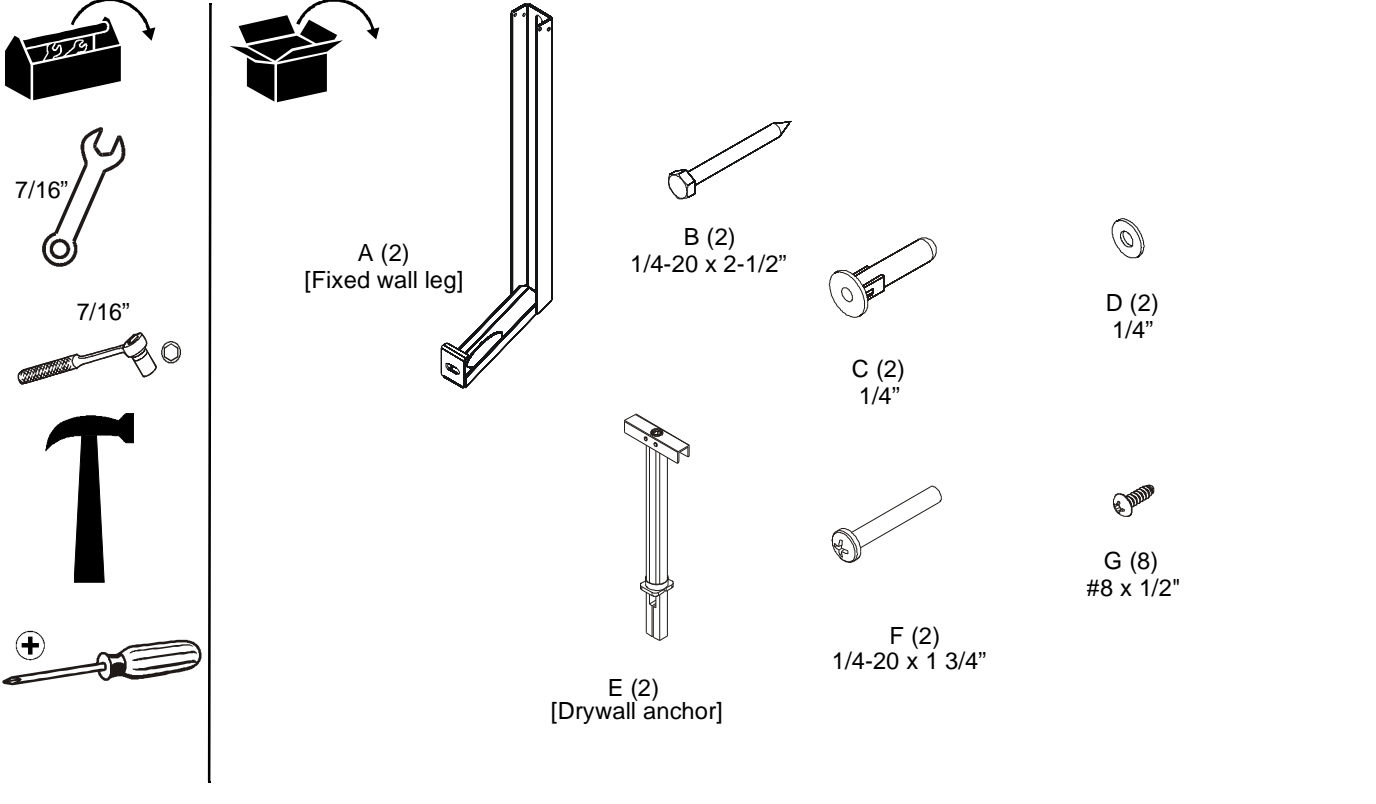
DIMENSIONS

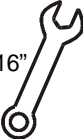



LEGEND


	Tighten Fastener		Open-Ended Wrench
	Apretar elemento de fijación		Llave de boca
	Befestigungsteil festziehen		Gabelschlüssel
	Apertar fixador		Chave de bocas
	Serrare il fissaggio		Chiave a punte aperte
	Bevestiging vastdraaien		Steeksleutel
Serrez les fixations	Clé à fourche		
	Loosen Fastener		Socket Wrench
	Aflojar elemento de fijación		Llave de cubo
	Befestigungsteil lösen		Steckschlüssel
	Desapertar fixador		Chave de caixa
	Allentare il fissaggio		Chiave a brugola
	Bevestiging losdraaien		Dopsleutel
Desserrez les fixations	Clé à douilles		
	Hammer		Phillips Screwdriver
	Martillo		Destornillador Phillips
	Hammer		Kreuzschlitzschraubendreher
	Martelo		Chave de fendas Phillips
	Martello		Cacciavite a stella
	Hamer		Kruiskopschroevendraaier
Marteau	Tournevis à pointe cruciforme		


TOOLS REQUIRED FOR INSTALLATION / PARTS

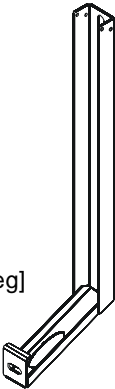


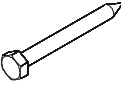
7/16" 

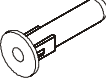
7/16" 




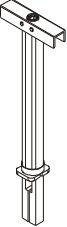


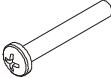
A (2)
[Fixed wall leg] 


B (2)
1/4-20 x 2-1/2" 

C (2)
1/4" 

D (2)
1/4" 

E (2)
[Drywall anchor] 

F (2)
1/4-20 x 1 3/4" 

G (8)
#8 x 1/2" 

INSTALLATION

IMPORTANT ! : These installation instructions assume that a UL Listed WBM2 interactive whiteboard mount has been properly installed and is in place.

1. Remove and **discard** four Phillips screws from bottom of WBM2 upright. (See Figure 1)
2. Remove lower foot of WBM2. (See Figure 1)
3. Repeat Steps 1 and 2 on the other WBM2 upright.

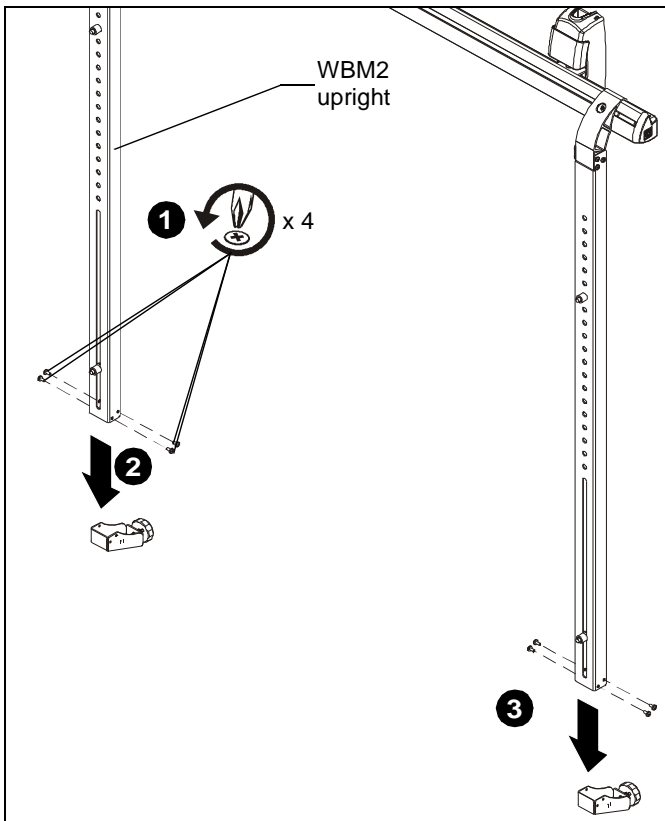


Figure 1

4. Attach fixed wall leg (A) to bottom of WBM2 upright using the four #8 x 1/2" Phillips self-tapping screws (G). (See Figure 2)
5. Repeat Step 4 on other WBM2 upright.

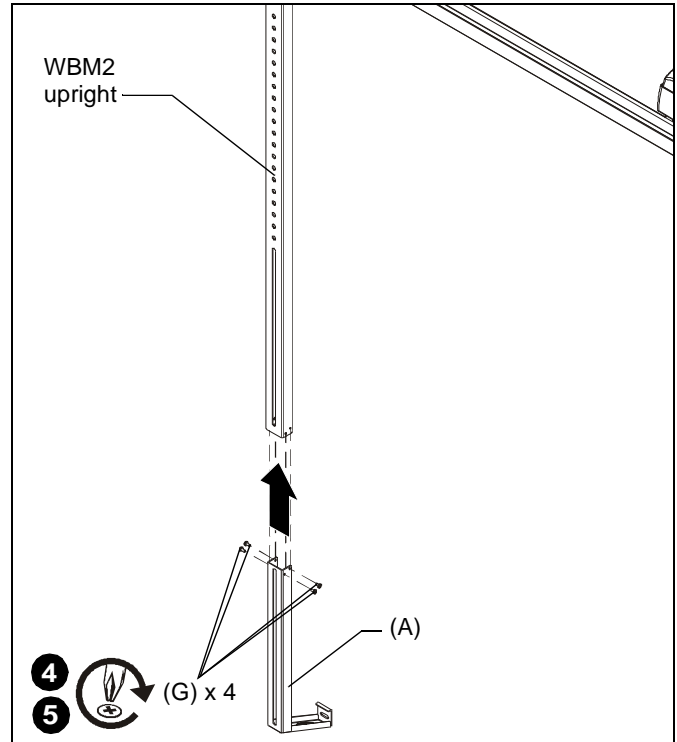


Figure 2

Attaching To Wall

NOTE: The WBAE must be attached to the wall using the correct hardware for the wall type. It may be attached to a wood stud, concrete, concrete block or clay brick wall. Proceed to appropriate section for instruction.

Wood Stud Wall

1. Mark the wall over stud through the fixed wall leg (A) on each WBM2 upright. (See Figure 3)
2. Drill one 1/8" pilot hole in each stud. (See Figure 3)
3. Use two 1/4-20 x 2-1/2" lag bolts (B) and two 1/4" flat washers (D) to attach both fixed wall legs (A) to wall. (See Figure 3)

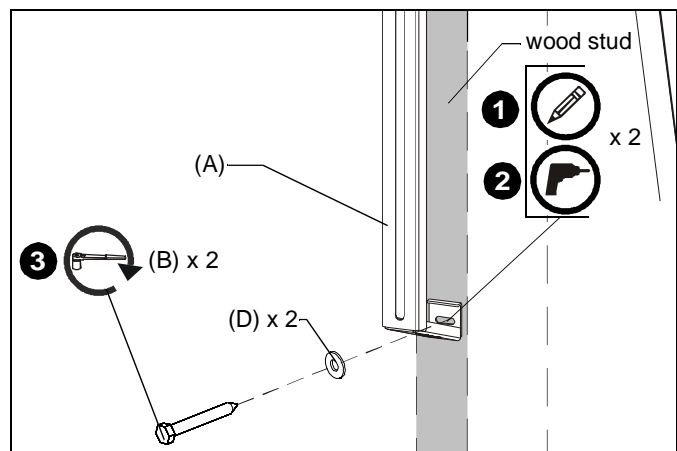


Figure 3

Concrete, Concrete Block or Clay Brick Wall

1. Mark the wall through the fixed wall leg (A) on each WBM2 upright. (See Figure 4)

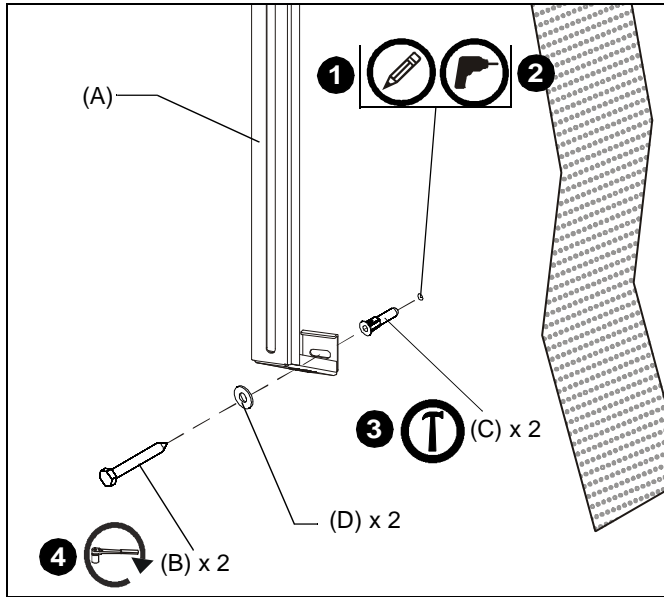


Figure 4

2. Drill one 1/4" x 2-3/4" pilot hole at each marking. (See Figure 4)
3. Install a Toggler (C) into both pilot holes using a hammer. (See Figure 4)
4. Use two 1/4-20 x 2-1/2" lag bolts (B) and two 1/4" flat washers (D) to attach both fixed wall legs (A) to anchors in wall. (See Figure 4)

Drywall

1. Mark the wall through the fixed wall leg (A) on each WBM2 upright. (See Figure 5)
2. Drill a 1/2" hole at each marked location. (See Figure 5)

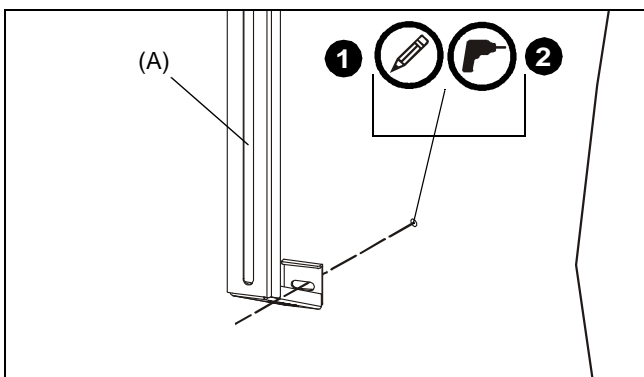


Figure 5

3. Hold metal channel on anchor (E) flat alongside plastic straps and slide channel through hole. (See Figure 6)

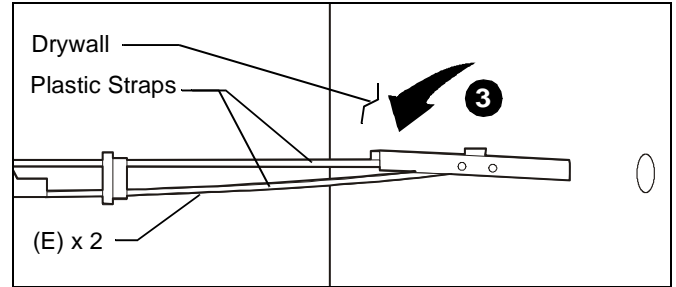


Figure 6

4. Holding plastic straps on anchor (E), pull anchor away from wall until channel rests flush behind wall. (See Figure 7)
5. Slide plastic cap on anchor (E) towards wall until flange of cap is flush with wall. (See Figure 7)

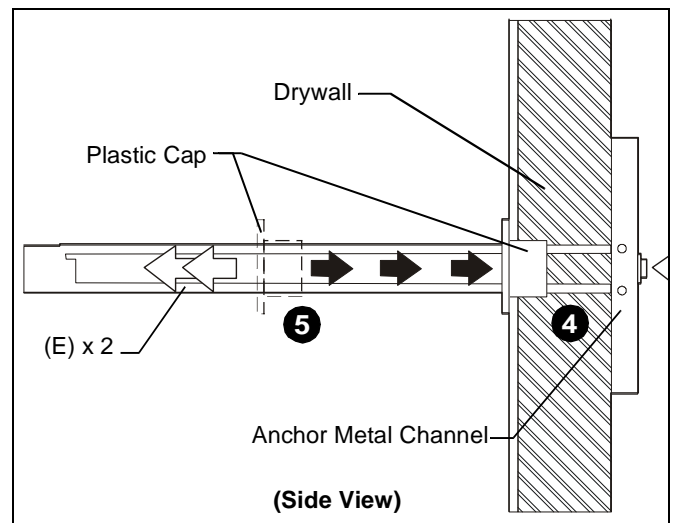


Figure 7

6. Snap off plastic straps on anchor at wall by pushing side to side, snapping off straps level with flange of plastic cap. (See Figure 8)
7. Repeat steps 3 through 6 for remaining mounting hole.

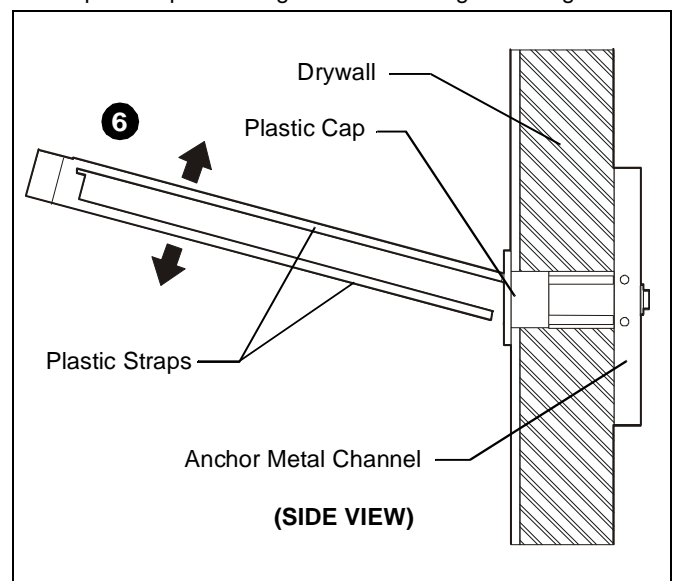


Figure 8

8. Use two 1/4-20 x 1 3/4" Phillips pan machine screws (F) and two 1/4" flat washers (D) to attach both fixed wall legs (A) to anchors in wall. (See Figure 9)

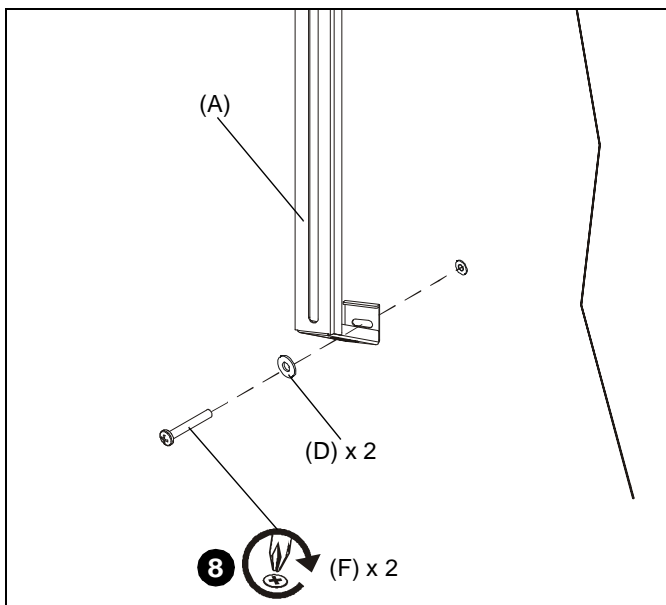


Figure 9



Our Mounts. **Your Vision.**

Chief, a products division of
Milestone AV Technologies

8800-002698 Rev00
©2015 Milestone AV Technologies
www.chiefmfg.com
01/15

USA/International	A 6436 City West Parkway, Eden Prairie, MN 55344 P 800.582.6480 / 952.225.6000 F 877.894.6918 / 952.894.6918
Europe	A Franklinstraat 14, 6003 DK Weert, Netherlands P +31 (0) 495 580 852 F +31 (0) 495 580 845
Asia Pacific	A Office No. 918 on 9/F, Shatin Galleria 18-24 Shan Mei Street Fotan, Shatin, Hong Kong P 852 2145 4099 F 852 2145 4477

