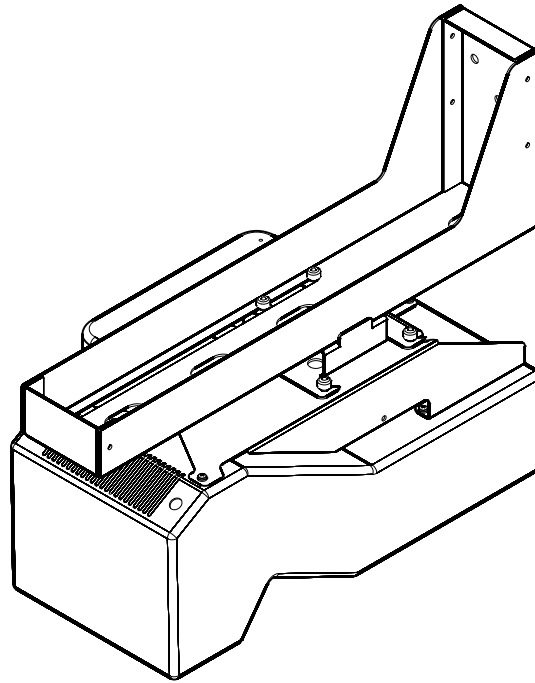

INSTALLATION INSTRUCTIONS



Adjustable Projector Wall Mount

DISCLAIMER

Milestone AV Technologies, Inc., and its affiliated corporations and subsidiaries (collectively, "Milestone"), intend to make this manual accurate and complete. However, Milestone makes no claim that the information contained herein covers all details, conditions or variations, nor does it provide for every possible contingency in connection with the installation or use of this product. The information contained in this document is subject to change without notice or obligation of any kind. Milestone makes no representation of warranty, expressed or implied, regarding the information contained herein. Milestone assumes no responsibility for accuracy, completeness or sufficiency of the information contained in this document.

Chief® is a registered trademark of Milestone AV Technologies. All rights reserved.



WARNING:

Failure to read, thoroughly understand, and follow all instructions can result in serious personal injury, damage to equipment, or voiding of factory warranty! It is the installer's responsibility to make sure all components are properly assembled and installed using the instructions provided.



WARNING: Failure to provide adequate structural strength for this component can result in serious personal injury or damage to equipment! It is the installer's responsibility to make sure the structure to which this component is attached can support five times the combined weight of all equipment. Reinforce the structure as required before installing the component.



WARNING: Exceeding the weight capacity can result in serious personal injury or damage to equipment! It is the installer's responsibility to make sure the combined weight of all components located between the WPA up to (and including) the display/projector does not exceed 50 lbs (22.68 kg).



IMPORTANT WARNINGS AND CAUTIONS!

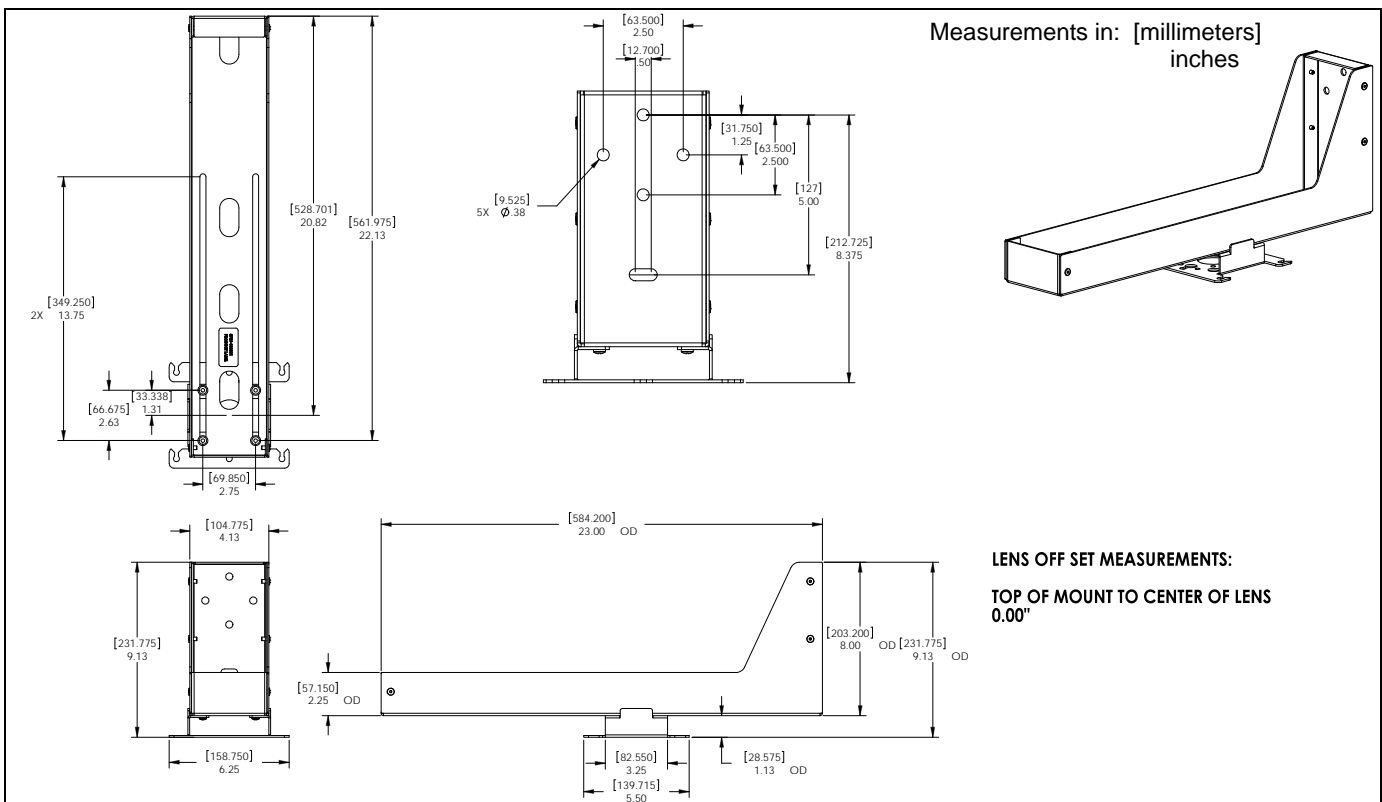


WARNING: A WARNING alerts you to the possibility of serious injury or death if you do not follow the instructions.

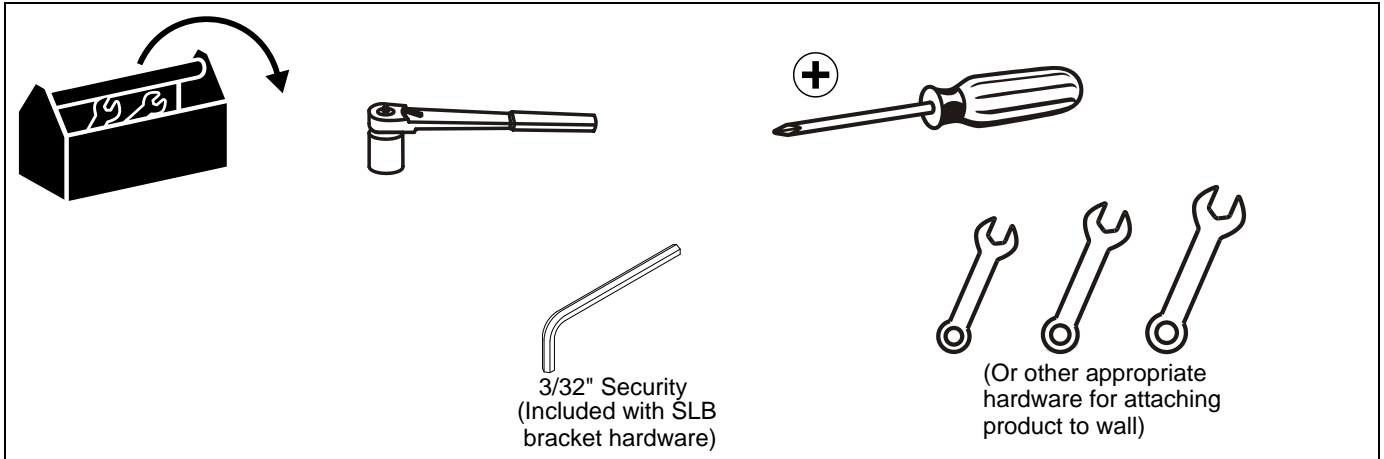


CAUTION: A CAUTION alerts you to the possibility of damage or destruction of equipment if you do not follow the corresponding instructions.

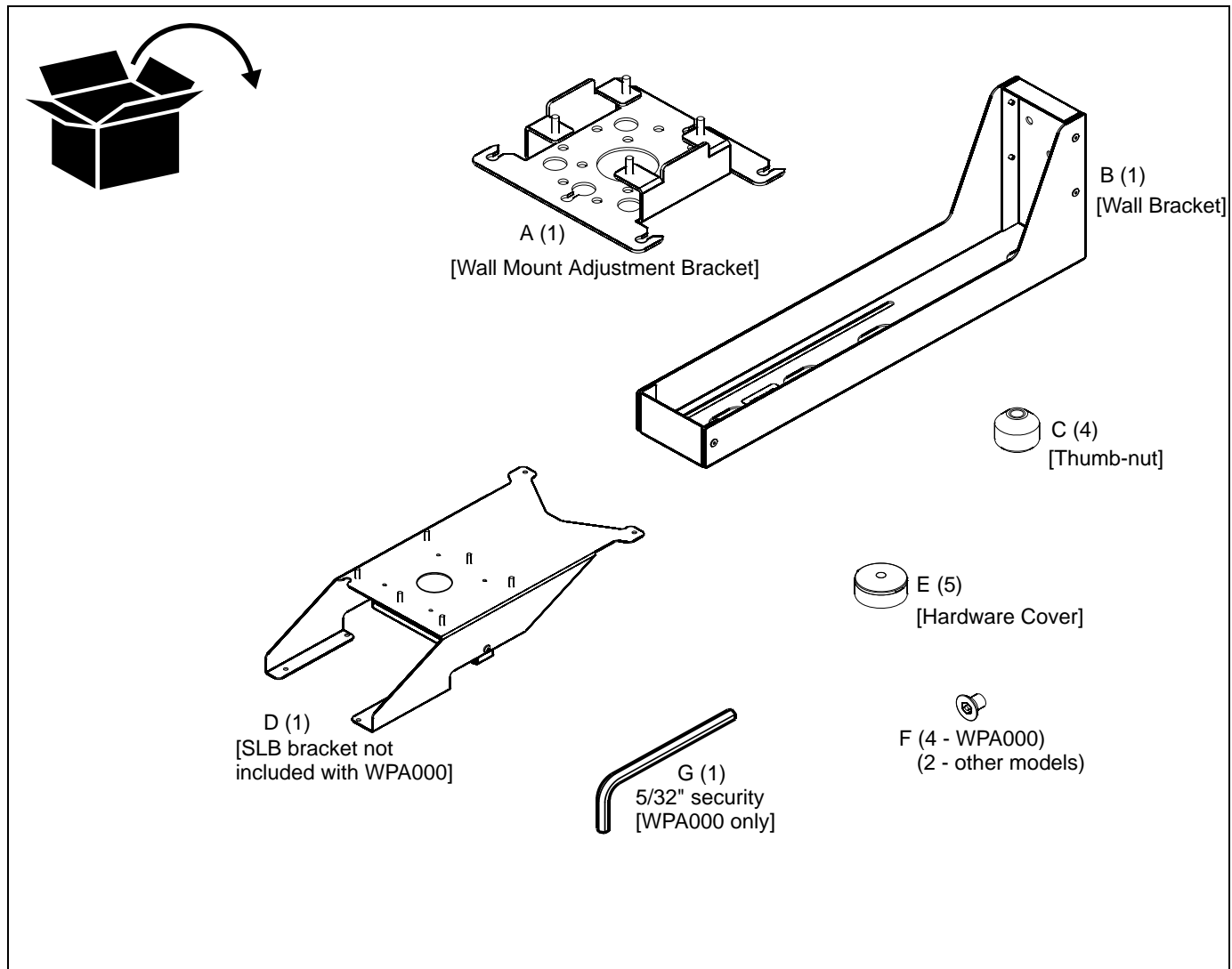
DIMENSIONS



TOOLS REQUIRED FOR INSTALLATION



PARTS



ASSEMBLY AND INSTALLATION

Attaching Wall Mount to Wall

NOTE: If attaching optional RPA or RPM interface bracket, wall mount adjustment bracket (A) must be attached to RPA or RPM bracket before being attached to the wall bracket (B). Proceed to Attaching to RPA or RPM Interface Bracket section for details.

1. Attach wall mount adjustment bracket (A) to the wall bracket (B) using four thumb-nuts (C). (See Figure 1)

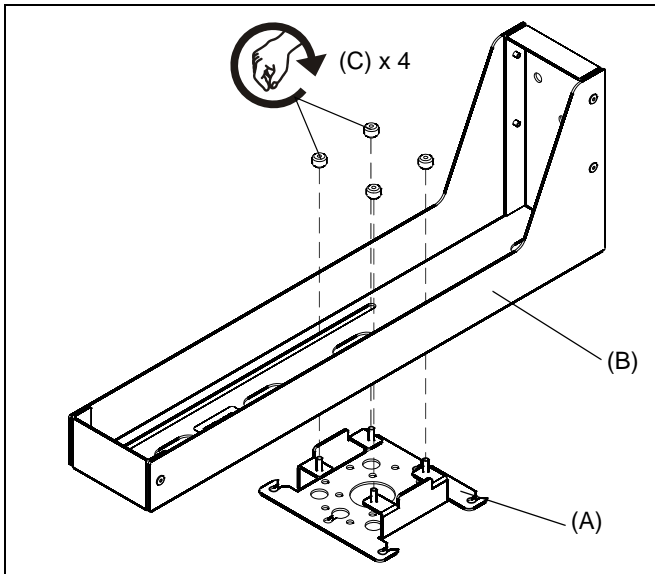


Figure 1



WARNING: FAILURE TO PROVIDE ADEQUATE STRUCTURAL STRENGTH FOR THIS COMPONENT CAN RESULT IN SERIOUS PERSONAL INJURY OR DAMAGE TO EQUIPMENT! It is the installer's responsibility to make sure the structure to which this component is attached can support five times the combined weight of all equipment. Reinforce the structure as required before installing the component.

2. Determine location for wall bracket (B) and locate wall stud to which bracket will be attached.
3. Attach wall bracket (B) to stud through upper hole in wall bracket using 5/16" x 2" long lag bolts and 5/16" flat washers (not included) through hardware covers (E). (See Figure 2)
4. Place second fastener through lower slot in wall bracket (B). (See Figure 2)
5. Adjust wall bracket (B) side to side until it is level and tighten fasteners.
6. Close hardware covers (E).

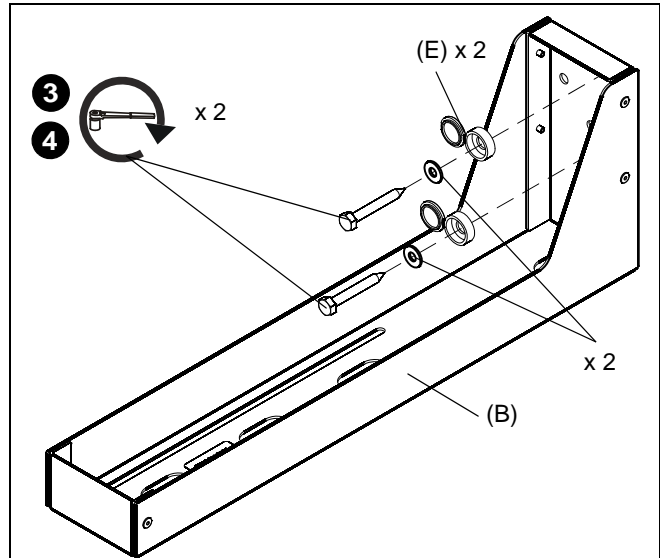


Figure 2

Attaching SLB Interface Bracket

1. Attach SLB interface bracket (D as example) to the projector following instructions included with the SLB interface bracket.
2. Attach projector with SLB interface bracket to the wall mount adjustment bracket (A).
3. Tighten thumb nuts. (See Figure 3)

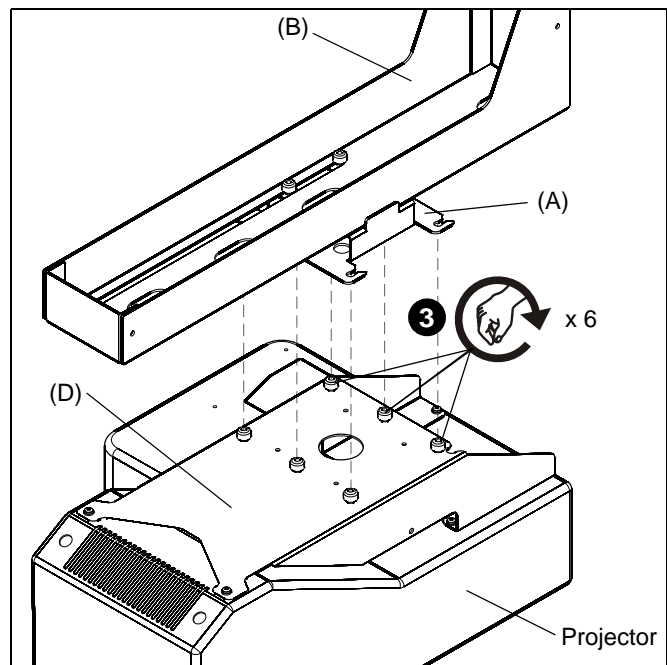


Figure 3

Adjustments

1. Loosen the four thumb-nuts on the wall bracket.
2. Move projector to get maximum or minimum extension. (See Figure 4)

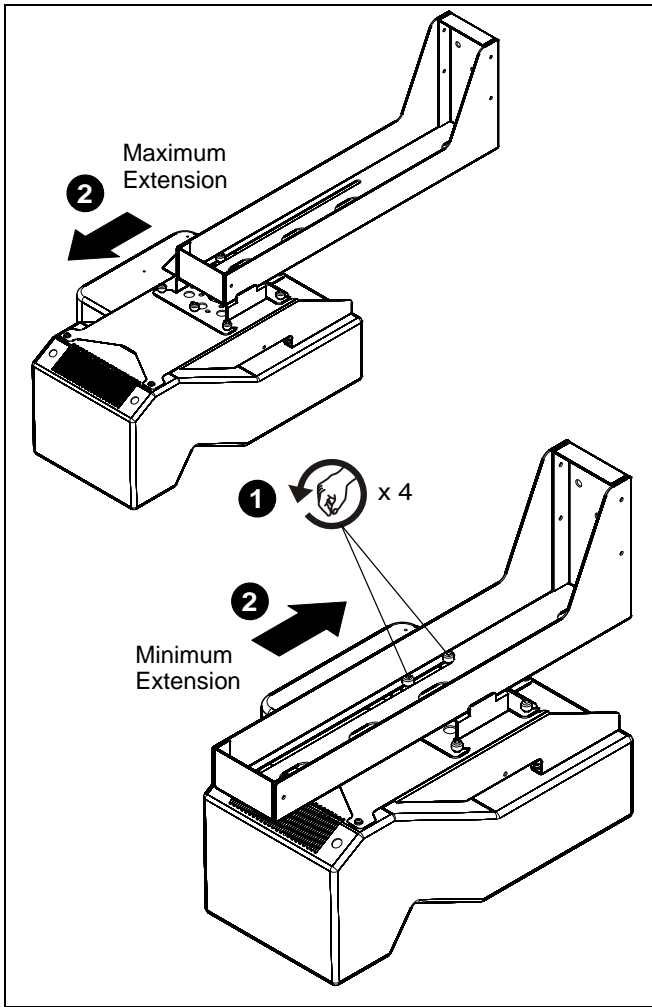


Figure 4

Attaching All-Points Security

For additional security, the All-Points Security kit may be installed.

1. Replace four screws from the interface bracket (preferably from opposite corners) with four security screws (F-and additional screws from security kit if applicable). (See Figure 5)

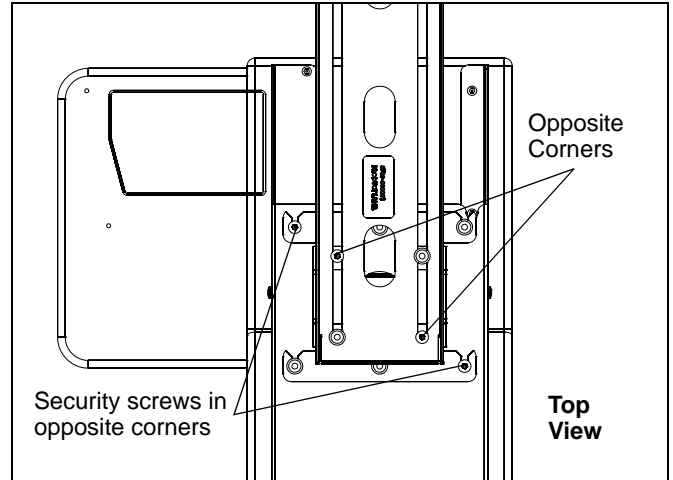


Figure 5

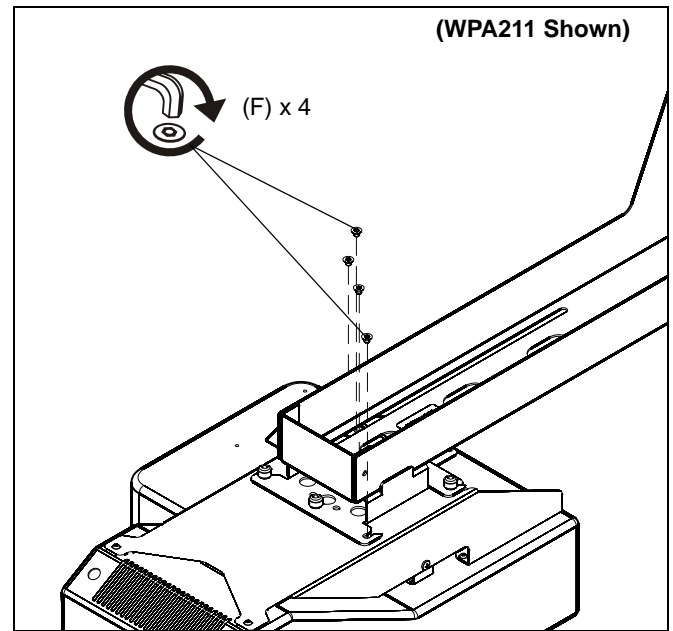


Figure 6

Attaching to RPA or RPM Bracket (Optional)

NOTE: WPA Series mounts may be attached to the RPA or RPM interface bracket in order to allow for more roll, pitch and yaw adjustment.

NOTE: Hardware required for RPA or RPM installation is NOT included with WPA Series mounts and must be purchased separately.

For RPA Attachment

1. Insert four 1/4-20 x 5/8" hex head cap screws into four outermost holes of wall mount adjustment bracket (A). (See Figure 7)
2. Attach RPA interface bracket by guiding four 1/4-20 x 5/8" hex head cap screws through four long holes in RPA, four 1/4-20 flat washers and into four 1/4-20 Nylock nuts. (See Figure 7)

Figure 7)

3. Tighten Nylock nuts until connection is secure. (See Figure 7)

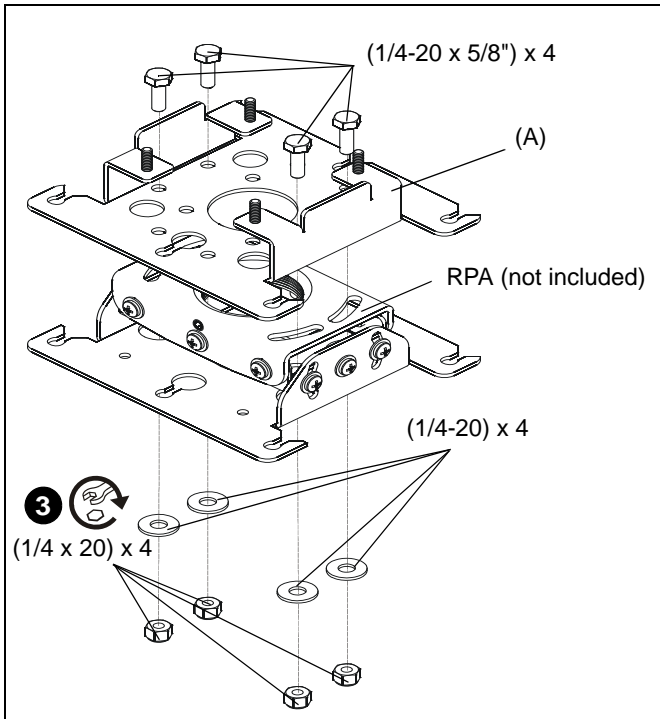


Figure 7

For RPM Attachment

1. Insert four 1/4-20 x 2" hex head cap screws into four inner holes of wall mount adjustment bracket (A). (See Figure 8)
2. Attach RPM interface bracket by guiding four 1/4-20 x 2" hex head cap screws through four elevated holes in RPM, four 1/4-20 flat washers and into four 1/4-20 Nylock nuts. (See Figure 8)
3. Tighten Nylock nuts until connection is secure. (See Figure 8)

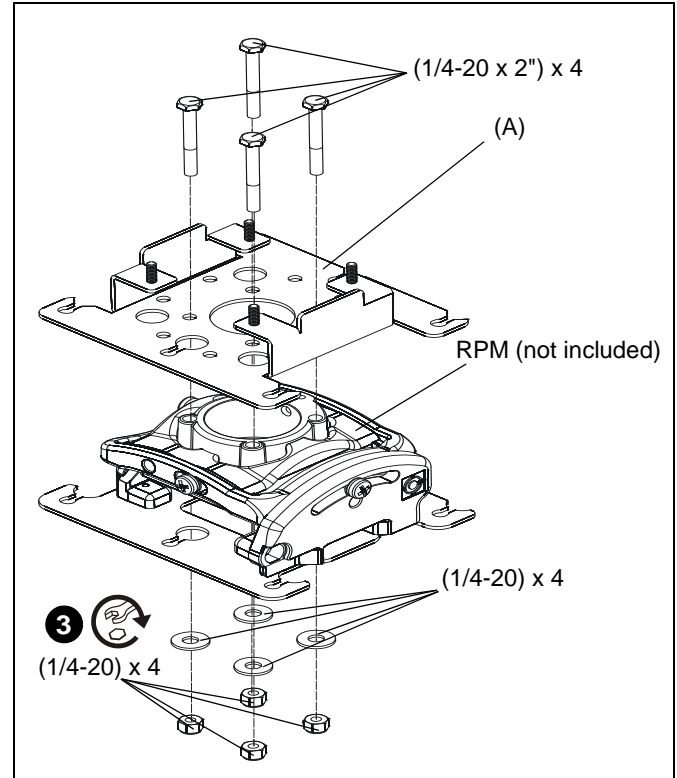


Figure 8

NOTE: Wall mount must be installed to wall before projector can be attached to RPA or RPM interface bracket. Refer back to Attaching Wall Mount to Wall section for details.

Refer to RPA/RPM installation manual to attach projector to RPA or RPM interface bracket.

NOTE: Refer to RPA/RPM installation manual for roll, pitch and yaw adjustment details.



Our Mounts. **Your Vision.**

Chief Manufacturing, a products division
of Milestone AV Technologies

8803-000105 Rev.B
©2009 Milestone AV Technologies,
a Duchossois Group Company
www.chiefmfg.com
01/09

USA/International	A 8401 Eagle Creek Parkway, Savage, MN 55378 P 800.582.6480 / 952.894.6280 F 877.894.6918 / 952.894.6918
Europe	A Fellenoord 130 5611 ZB EINDHOVEN, The Netherlands P +31 (0)40 2668620 F +31 (0)40 2668615
Asia Pacific	A Room 24F, Block D, Lily YinDu International Building LuoGang, BuJi Town, Shenzhen, CHINA. 深圳市布吉罗岗村百合银都国际大厦D栋24F P +86-755-8996 9226 F +86-755-8996 9217

