

INSTALLATION INSTRUCTIONS

XY-1 Heavy-duty Lateral Shift Bracket

The XY-1 lateral shift bracket allows for 4" of right, left, fore and aft adjustment when final projector registration is made.

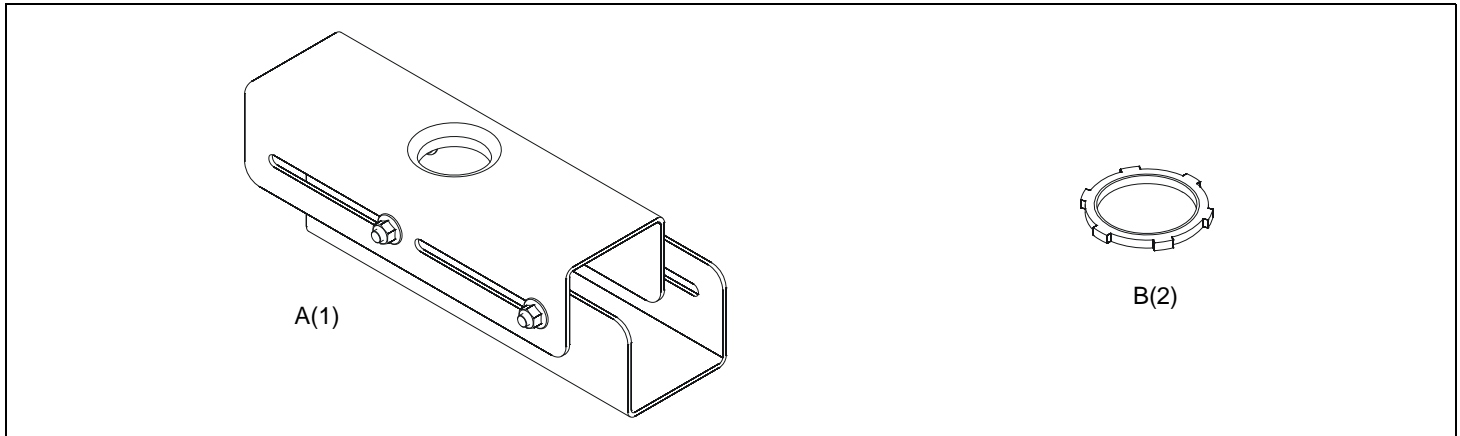


WARNING: Failure to provide adequate structural strength for this component can result in **serious personal injury or damage to equipment!** It is the installer's responsibility to make sure the structure to which this component is attached can support four times the combined weight of all equipment. Reinforce the structure as required before installing the component.

Parts

(A) XY-1 Lateral Shift Bracket

(B) 1 1/2" NPT Locknut



Installation:



WARNING: Exceeding the weight capacity can result in serious personal injury or damage to equipment! It is the installer's responsibility to make sure the combined weight of all components attached to the XY-1 lateral shift bracket does not exceed 250 lbs (113.4 kg).

1. Thread one of the 1 1/2" locknuts (B) onto the column coming down from the ceiling. Attach the XY-1 bracket (A) to column and securely tighten against locknut.
2. Thread the other 1 1/2" locknut (B) into the lower column and then thread this into the bottom side of the XY-1 bracket based on the specific height of the installation.
3. To adjust the XY-1 bracket, loosen the four 5/16-18" flange nuts slightly on each stud to allow 2" of adjustment in either direction horizontally and retighten.



CAUTION: Make sure the bracket threads are fully engaged onto the 1 1/2" NPT pipe and the jam nut is tightened. If the projector is rotated about the overhead pipe, make sure both upper and lower jam nuts are retightened.



Milestone AV Technologies, and its affiliated corporations and subsidiaries (collectively, "Milestone"), intend to make this manual accurate and complete. However, Milestone makes no claim that the information contained herein covers all details, conditions or variations, nor does it provide for every possible contingency in connection with the installation or use of this product. The information contained in this document is subject to change without notice or obligation of any kind. Milestone makes no representation of warranty, expressed or implied, regarding the information contained herein. Milestone assumes no responsibility for accuracy, completeness or sufficiency of the information contained in this document.