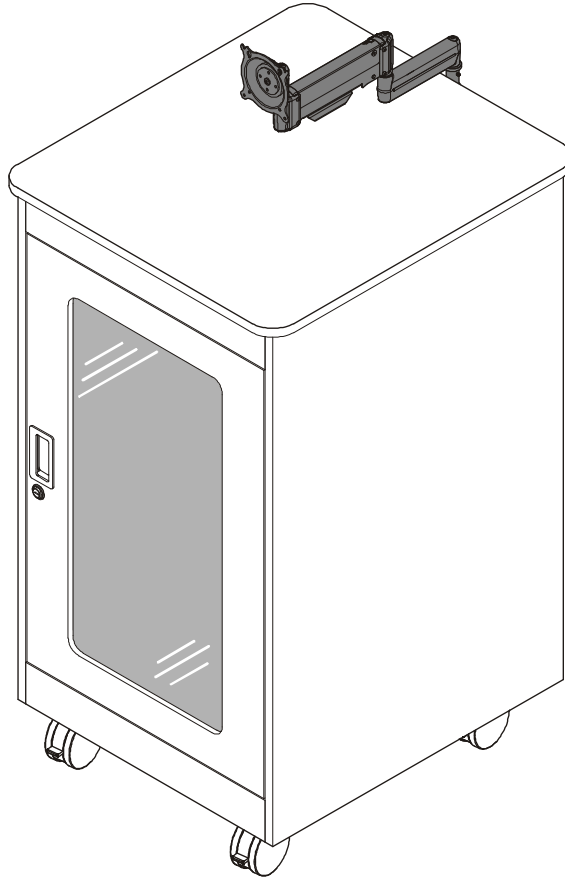

INSTALLATION INSTRUCTIONS



Furniture Racks Monitor Mount

DISCLAIMER

Milestone AV Technologies and its affiliated corporations and subsidiaries (collectively "Milestone"), intend to make this manual accurate and complete. However, Milestone makes no claim that the information contained herein covers all details, conditions or variations, nor does it provide for every possible contingency in connection with the installation or use of this product. The information contained in this document is subject to change without notice or obligation of any kind. Milestone makes no representation of warranty, expressed or implied, regarding the information contained herein. Milestone assumes no responsibility for accuracy, completeness or sufficiency of the information contained in this document.

Chief® is a registered trademark of Milestone AV Technologies. All rights reserved.



WARNING: Failure to read, thoroughly understand, and follow all instructions can result in serious personal injury, damage to equipment, or voiding of factory warranty! It is the installer's responsibility to make sure all components are properly assembled and installed using the instructions provided.



WARNING: Exceeding the weight capacity can result in serious personal injury or damage to equipment! It is the installer's responsibility to make sure the combined weight of all components attached to the YAMF1 does not exceed 25 lbs (11.3 kg). Use with products heavier than the maximum weight indicated may result in instability or collapse of the mount causing possible injury.



IMPORTANT WARNINGS AND CAUTIONS!

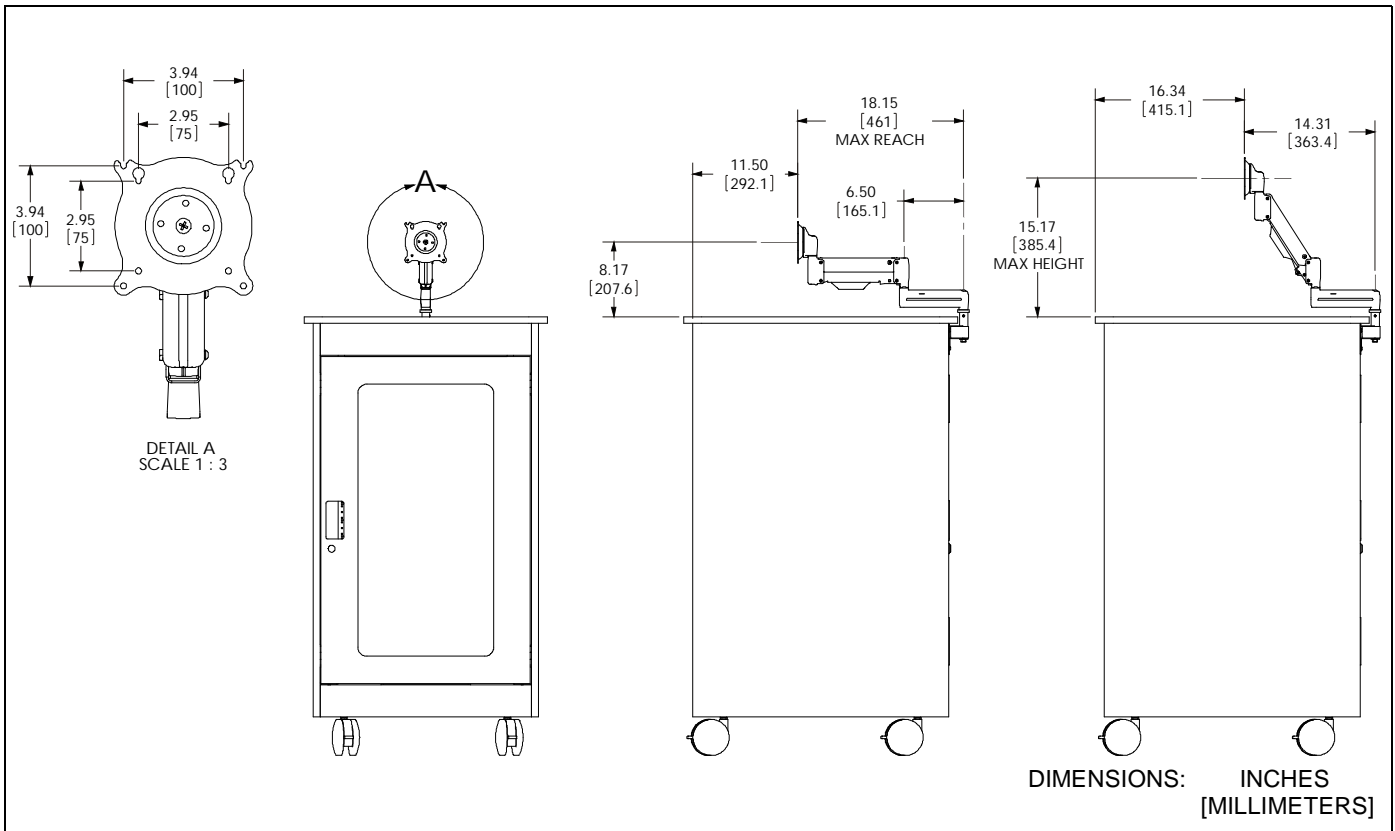


WARNING: A WARNING alerts you to the possibility of serious injury or death if you do not follow the instructions.



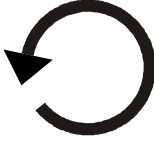



CAUTION: A CAUTION alerts you to the possibility of damage or destruction of equipment if you do not follow the corresponding instructions.

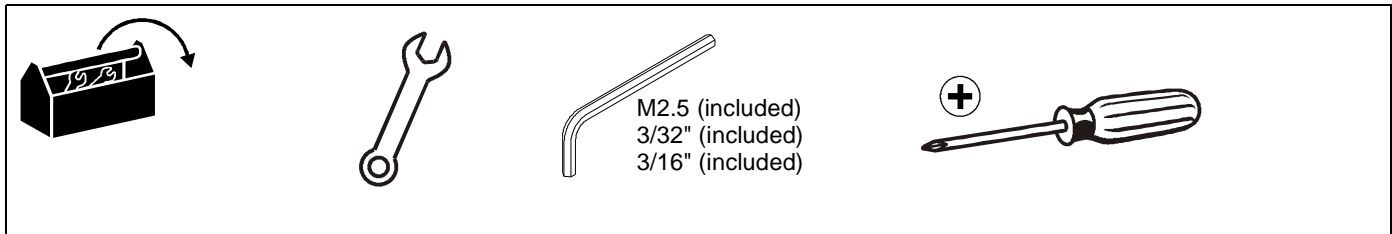
DIMENSIONS



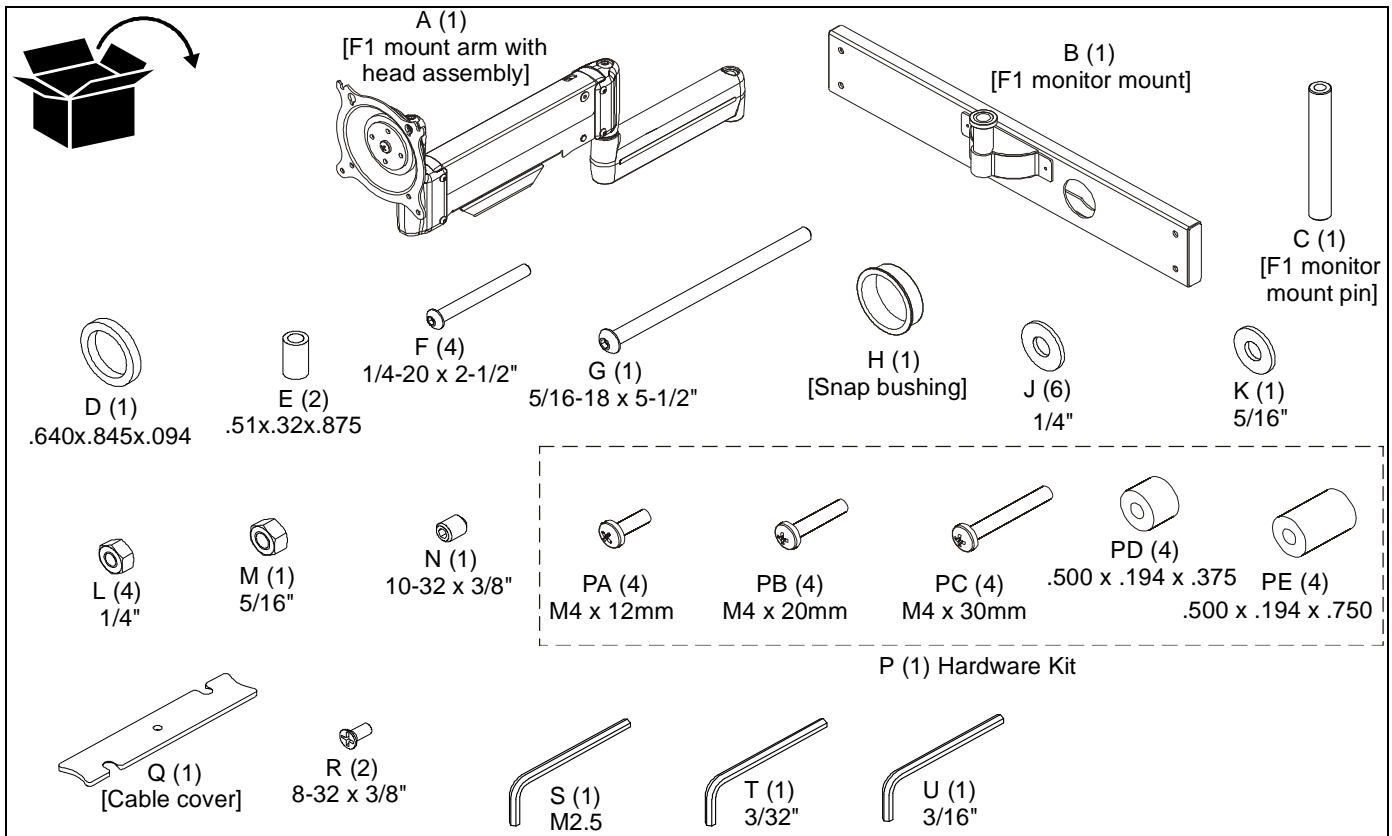
LEGEND

	Tighten Fastener		Open-Ended Wrench
	Apretar elemento de fijación		Llave de boca
	Befestigungsteil festziehen		Gabelschlüssel
	Apertar fixador		Chave de bocas
	Serrare il fissaggio		Chiave a punte aperte
	Bevestiging vastdraaien		Steeksleutel
Serrez les fixations	Clé à fourche		
	Loosen Fastener		Phillips Screwdriver
	Aflojar elemento de fijación		Destornillador Phillips
	Befestigungsteil lösen		Kreuzschlitzschraubendreher
	Desapertar fixador		Chave de fendas Phillips
	Allentare il fissaggio		Cacciavite a stella
	Bevestiging losdraaien		Kruiskopschroevendraaier
Desserrez les fixations	Tournevis à pointe cruciforme		

TOOLS REQUIRED FOR INSTALLATION



PARTS



ASSEMBLING MOUNT

1. Insert snap bushing (H) into F1 monitor mount (B). (See Figure 1)

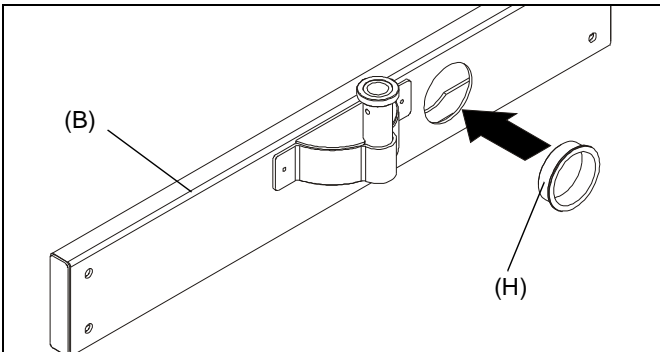


Figure 1

2. Attach F1 monitor mount (B) to back of F1 rack using four 1/4-20 x 2-1/2" button head cap screws (F). (See Figure 1)
 - In each top hole, also use a 1/4" washer (J) and a 1/4" nut (L).
 - In each lower hole, also use two 1/4" washers (J), one spacer (E) and a 1/4" nut (L). (See Figure 3)

IMPORTANT ! : If installing a display with RECESSED mounting holes, proceed to **Installing Display** section *before continuing* with this mount installation procedure.

3. Attach F1 mount arm with head assembly (A) to F1 monitor mount (B) using one 5/16-18 x 5-1/2" button head cap screw (G), the monitor mount pin (C), one nylon spacer (D), one 5/16" washer (K) and one 5/16" nut (M). (See Figure 2)
4. Insert and tighten one 10-32 x 3/8" set screw (N) into monitor mount (B). (See Figure 2)

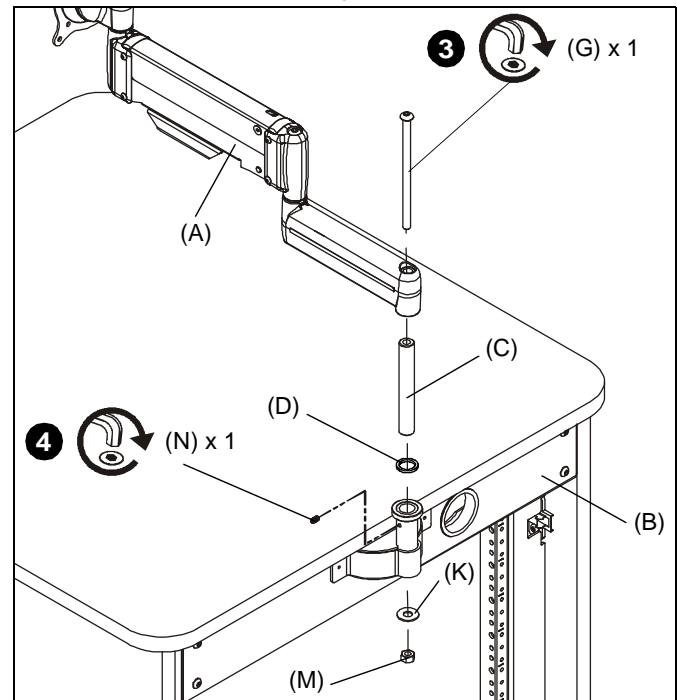


Figure 2

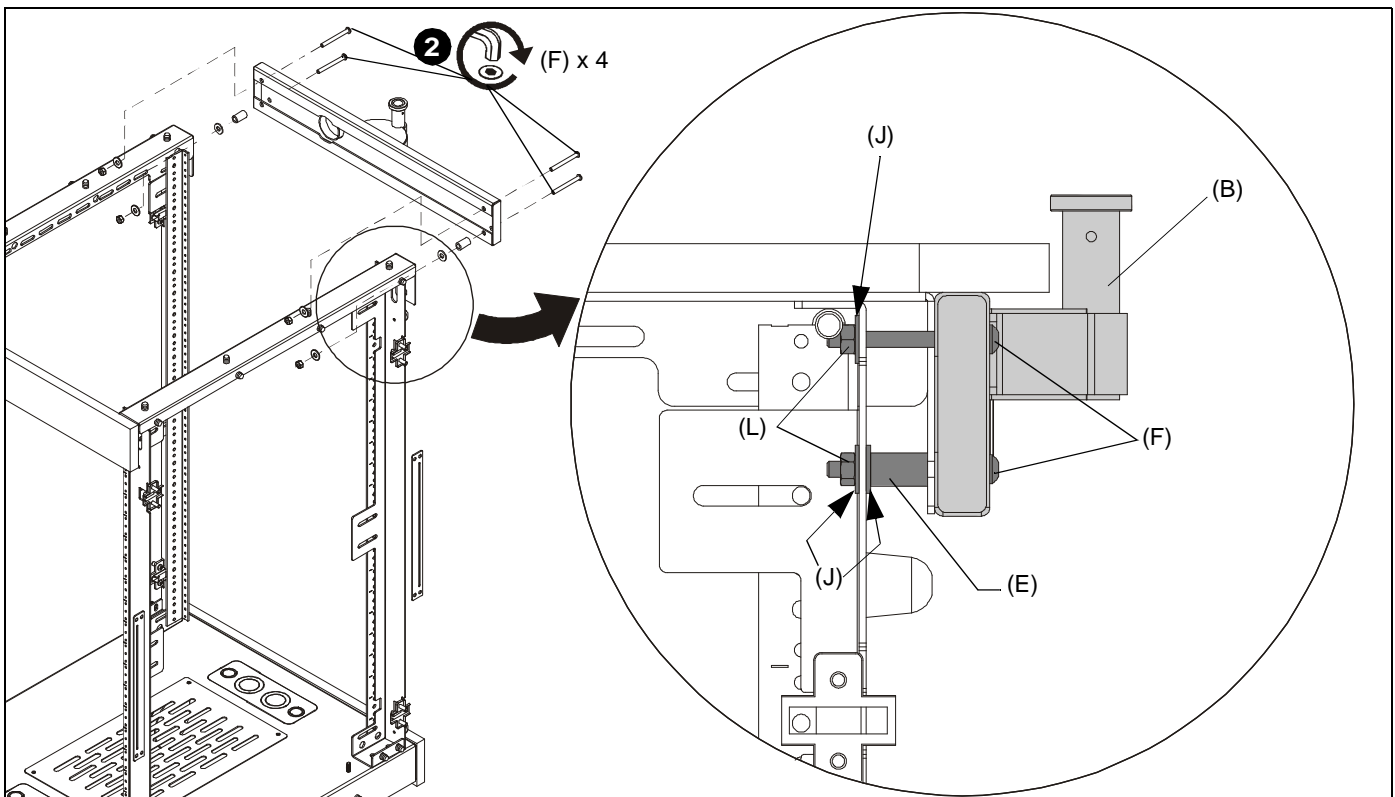


Figure 3

Installing Display

The mounting holes on the back of your display will either be *flush with the back surface*, or *recessed into the back surface*. Refer to the following applicable installation procedure.

Flush Mounting Holes



CAUTION: Using screws of improper size may damage your display! Proper screws will easily and completely thread into display mounting holes. If spacers are required, be sure to use longer screws of the same diameter.



CAUTION: Inadequate thread engagement in display may cause display to fall! Back out screws **ONLY** as necessary to allow installation of Centris bracket!

1. Ensure Centris bracket is able to swivel and tilt easily, yet still be tight enough to hold display in desired position. Adjust as required before proceeding. See **Adjustment** section.
2. Carefully install two M4 x 12mm Phillips head screws (PA) into the *upper* mounting holes on the display. Thread screws completely into display, then back out 3 complete turns. (See Figure 4)

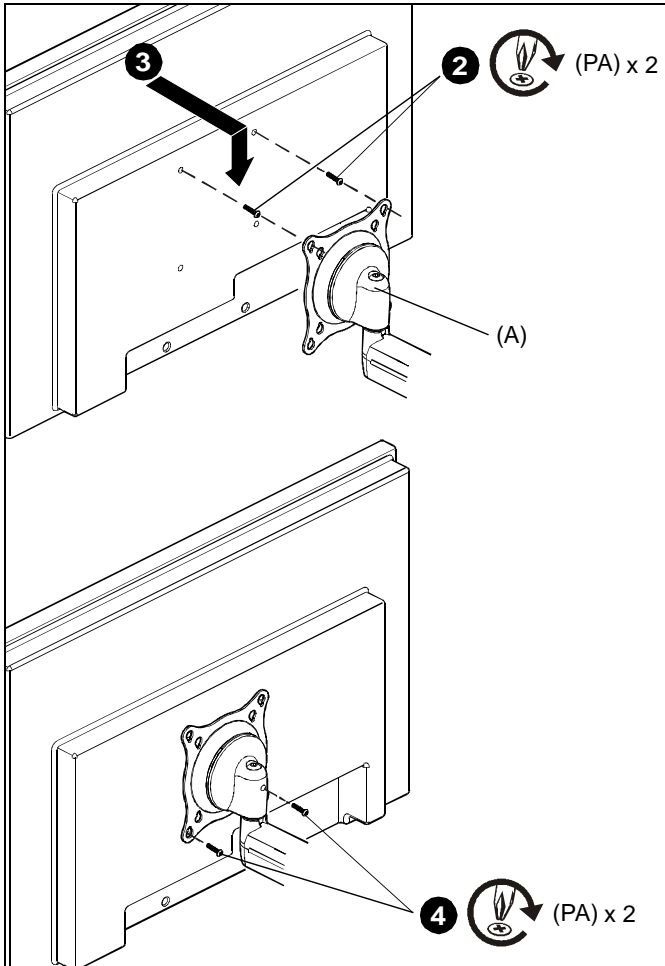


Figure 4

3. Pick up and align display so that screws installed on the back of the display in Step 2 fit into the upper mounting holes on the Centris bracket. Lower the display firmly into place.
4. Using Phillips screwdriver, install two remaining M4 x 12mm Phillips head screws (PA) through the *lower* mounting holes in Centris bracket and into the display. (See Figure 4)
5. Tighten all four screws. Do not over tighten!

Recessed Mounting Holes

1. Ensure Centris bracket is able to swivel and tilt easily, yet still be tight enough to hold display in desired position. Adjust as required before proceeding. See **Adjustment** section.
2. Carefully place display face down on protective surface.
3. Determine depth of recessed mounting holes relative to back surface of display (against which Centris head will contact).
4. Select proper length spacer and screw from table below.



CAUTION: Using screws of improper size may damage your display! Proper screws will easily and completely thread into display mounting holes. If spacers are required, be sure to use longer screws of the same diameter.

NOTE: All spacers used should be the same length. If the recess depths result in multiple spacer lengths, then select the longer spacer.

IF recess DEPTH is:	THEN use spacer:	AND screw:
3/8" or less	PD (3/8" long)	PB (M4 x 20mm)
More than 3/8" up to and including 3/4"	PE (3/4" long)	PC (M4 x 30mm)

5. Place the four selected spacers over each of the mount holes on the back of the display.
6. Pick up and orient the mount (A) so that the mounting holes in the Centris bracket are aligned with the holes in the spacers; rotate the bracket as required (See Figure 12).
7. Using Phillips screwdriver, install four selected screws through the mounting holes in Centris bracket, through the spacers, into the display. Tighten all four screws. Do not overtighten!
8. Return to Step 3 of **Assembling Mount** section to complete assembly.

Cable Management

1. Attach all cables to display.
2. Open the cable management bracket by sliding it towards the edge of the arm (See Figure 5).

NOTE: If necessary, cable management bracket attach screws may be loosened using M2.5 hex key (S).

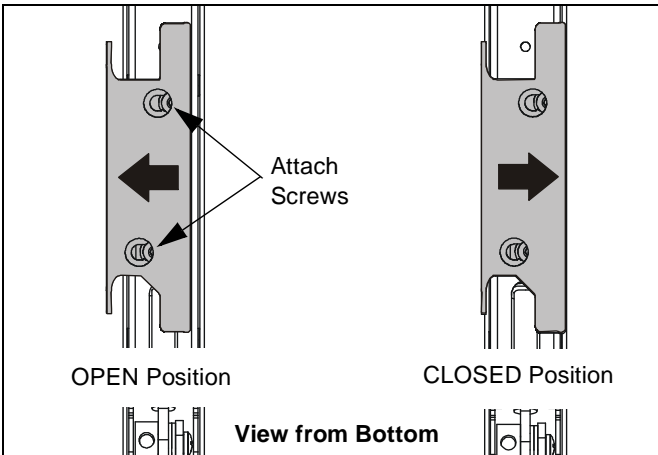


Figure 5



CAUTION: Ensure that adequate cable slack exists for movement of display, and that cables will not be pinched when bracket is closed.

3. Carefully insert cables into bracket (See Figure 6).

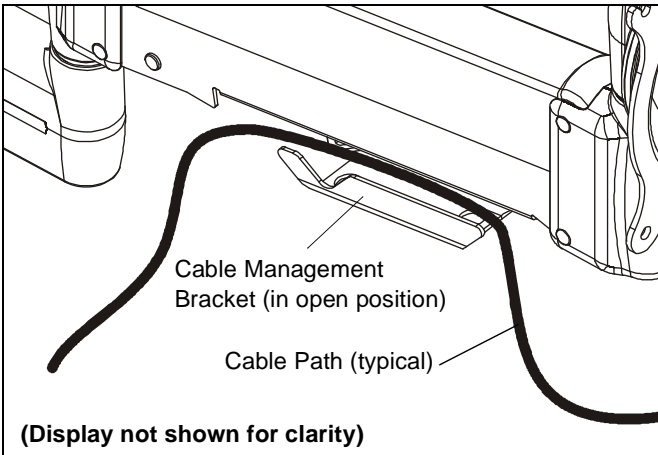


Figure 6

4. Close cable management bracket by sliding it back towards the centerline of the arm (See Figure 5).

NOTE: If necessary, cable management bracket attach screws may be tightened using M2.5 hex key (S).



CAUTION: Ensure that adequate cable slack exists for movement of display, and that cables will not be pinched by installation of cover (Q) or screws (R).

5. Carefully insert cables in cavity located in lower portion of static mount arm (See Figure 7).
6. Using Phillips screwdriver, install cover (Q) with two #8-32 x 3/8" screws (R). (See Figure 7)

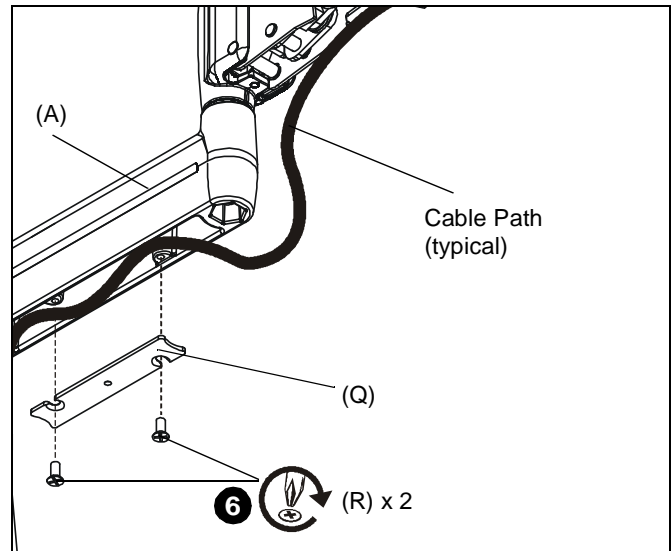


Figure 7

Adjustment of Arms and Centris Head

1. Using 3/16" hex key (U), slightly loosen or tighten the adjustment screw(s) as necessary (See Figure).

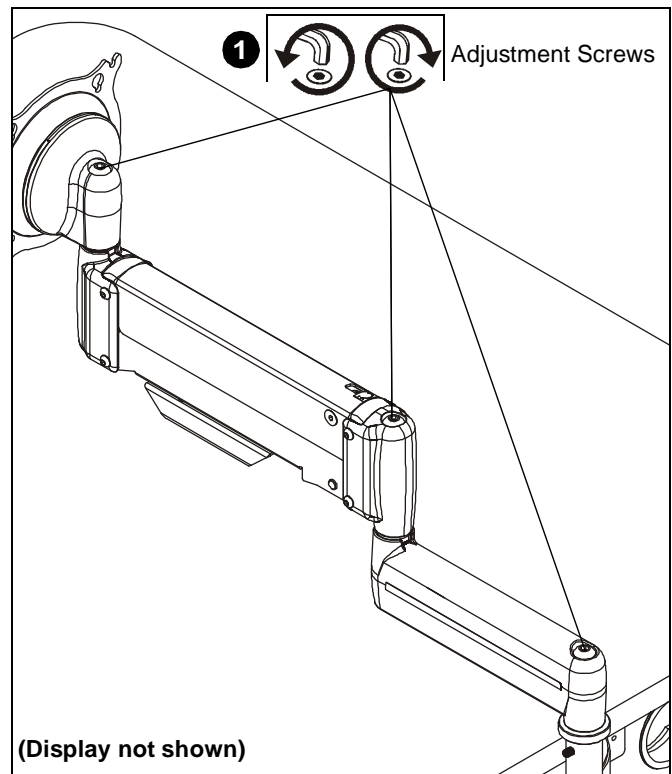


Figure 8

Height Adjustable Arm

IMPORTANT ! : It is important that the mount be attached to the mounting surface AND display be attached to the mount **BEFORE** attempting to adjust the height adjustable arm.

1. Using 3/32" hex key (T), slightly loosen or tighten the adjustment screw as necessary (See Figure 9).
 - If display settles on its own, then rotate adjustment screw counterclockwise (towards the "+" symbol).
 - If display rises on its own, then rotate adjustment screw clockwise (towards the "-" symbol).

NOTE: It may be necessary to raise or lower the height adjustable arm to expose the adjustment screw.

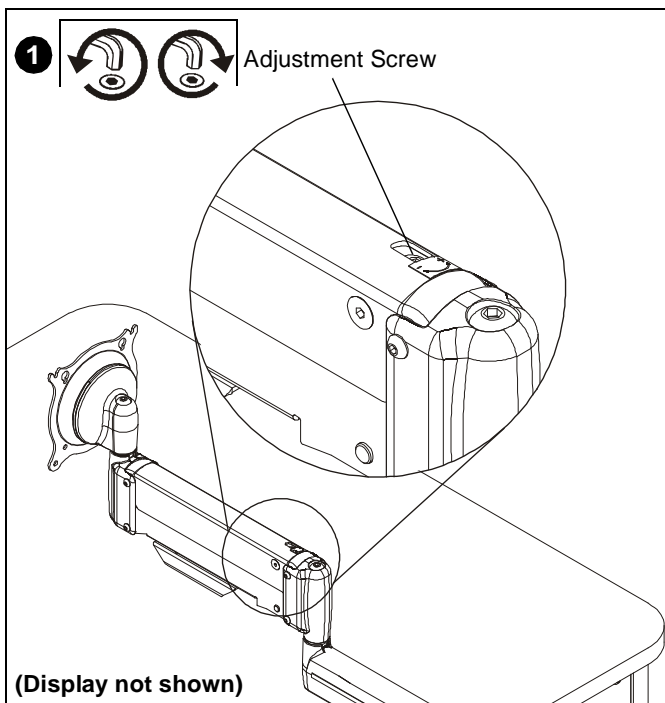


Figure 9

Centris Head

1. If previously attached, disconnect cables from display, then remove display.
2. Using Phillips screwdriver, slightly loosen or tighten the adjustment screw as necessary (See Figure 10).

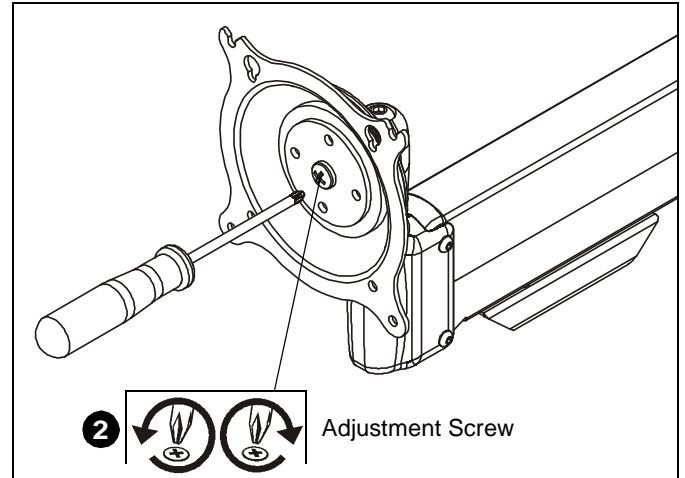


Figure 10

3. Install mount and then display cables. See **Installing Display** section.



Our Mounts. **Your Vision.**

Chief, a products division of
Milestone AV Technologies

8800-002920 Rev00
©2016 Milestone AV Technologies
www.milestone.com
12/16

USA/International	A 6436 City West Parkway, Eden Prairie, MN 55344 P 800.582.6480 / 952.225.6000 F 877.894.6918 / 952.894.6918
Europe	A Franklinstraat 14, 6003 DK Weert, Netherlands P +31 (0) 495 580 852 F +31 (0) 495 580 845
Asia Pacific	A Office No. 918 on 9/F, Shatin Galleria 18-24 Shan Mei Street Fotan, Shatin, Hong Kong P 852 2145 4099 F 852 2145 4477

