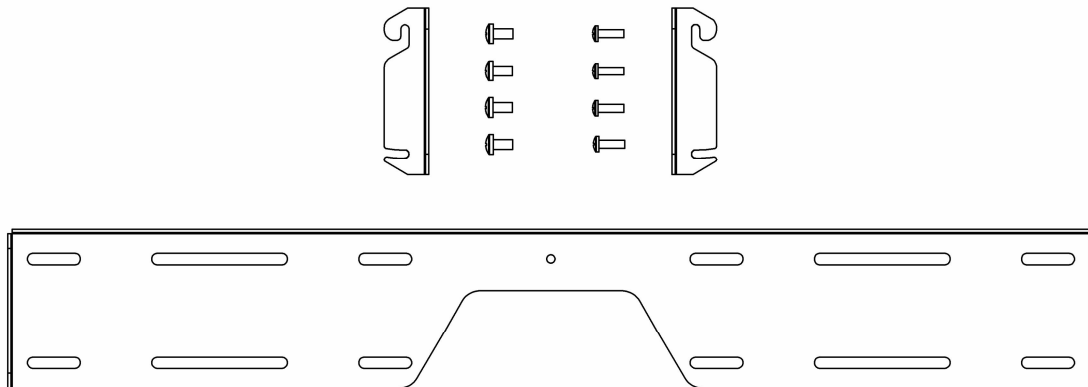

INSTALLATION INSTRUCTIONS

SPEAKER MOUNTING BRACKET (YSM-1)

The YSM-1 Speaker Mounting Bracket is primarily used with Yamaha YSP-1 speakers and other compatible products offered by Chief.



YSM-1

BEFORE YOU BEGIN

- **CAUTION:** To prevent damage to your speakers and wall bracket, which could affect or void the factory warranty, thoroughly study all instructions and illustrations before you begin to install the mount. Pay particular attention to the Warnings and Cautions in this document.
- If you have any questions about this installation, contact Chief Manufacturing at 1-800-582-6480.

IMPORTANT WARNINGS and CAUTIONS!

- WARNING** A **WARNING** alerts you to the possibility of serious injury or death if you do not follow the instructions.
- CAUTION** A **CAUTION** alerts you to the possibility of damage or destruction of equipment if you do not follow the corresponding instructions.
- **WARNING:** **Improper installation can result in serious personal injury! Make sure that the mounting surface structural members can support a redundant weight factor *five times* the total weight of the equipment. If not, reinforce the mounting surface structural members before installing the mount.**
 - **WARNING:** **You must use proper attaching hardware and installation procedures. Failure to use proper attaching hardware and installation procedures may result in equipment damage or serious personal injury.**
 - **WARNING:** **Be aware of the potential for personal injury or damage to the unit if it is not adequately mounted.**
 - **WARNING:** **The installer is responsible for verifying that the mounting surface structural members to which the mount is anchored will safely support the combined load of all attached components or other equipment.**
 - **CAUTION** Inspect the unit for shipping damage before you begin the installation.

DIMENSIONS

Figure 1 shows the dimensions of the speaker wall bracket.

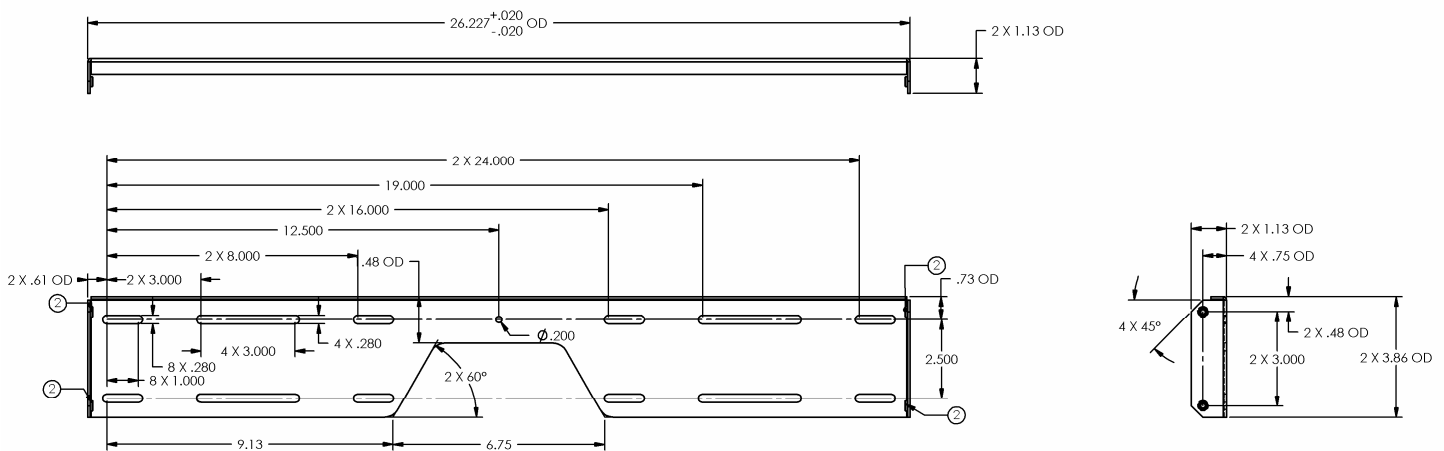


Figure 1. Wall Bracket Dimensions

CONTENTS

DIMENSIONS..... 2
 TOOLS REQUIRED FOR INSTALLATION..... 3
 PARTS LIST 3
 INSTALL WALL BRACKET..... 4
 Wood Stud Installation 4
 Steel Stud / Drywall Installation..... 6
 Concrete Wall Installation 7
 ATTACH SPEAKER BRACKETS TO SPEAKER..... 8
 CONNECT SPEAKER TO WALL BRACKET..... 9

TOOLS REQUIRED FOR INSTALLATION

- Drill and drill bit set
- 5/16” socket wrench
- Phillips screwdriver
- Line laser and stud sensor

NOTE: Other tools may be required depending on your method of installation.

PARTS LIST

Unpack the shipping carton and check for the contents listed in Table 1 and shown in Figure 2.

Table 1. Parts List

REF	DESCRIPTION	QTY
10	WALL BRACKET	1
20	SCREW, Phillips head, 10-24 x 5/8”	4
30	SCREW, Phillips head, M6 x 12mm	4
40	SPEAKER BRACKET, Left	1
50	SPEAKER BRACKET, Right	1
60	ANCHOR, snap toggle, 1/4”-20	4
70	SCREW, Phillips, 1/4-20 x 1.75”	4
80	WASHER, Flat, 1/4”	4
90	ANCHOR, Toggler, 5/16” alligator	4
100	LAG BOLTS, 5/16” x 2-1/2”	4
110	FLAT WASHER, 5/16”	4

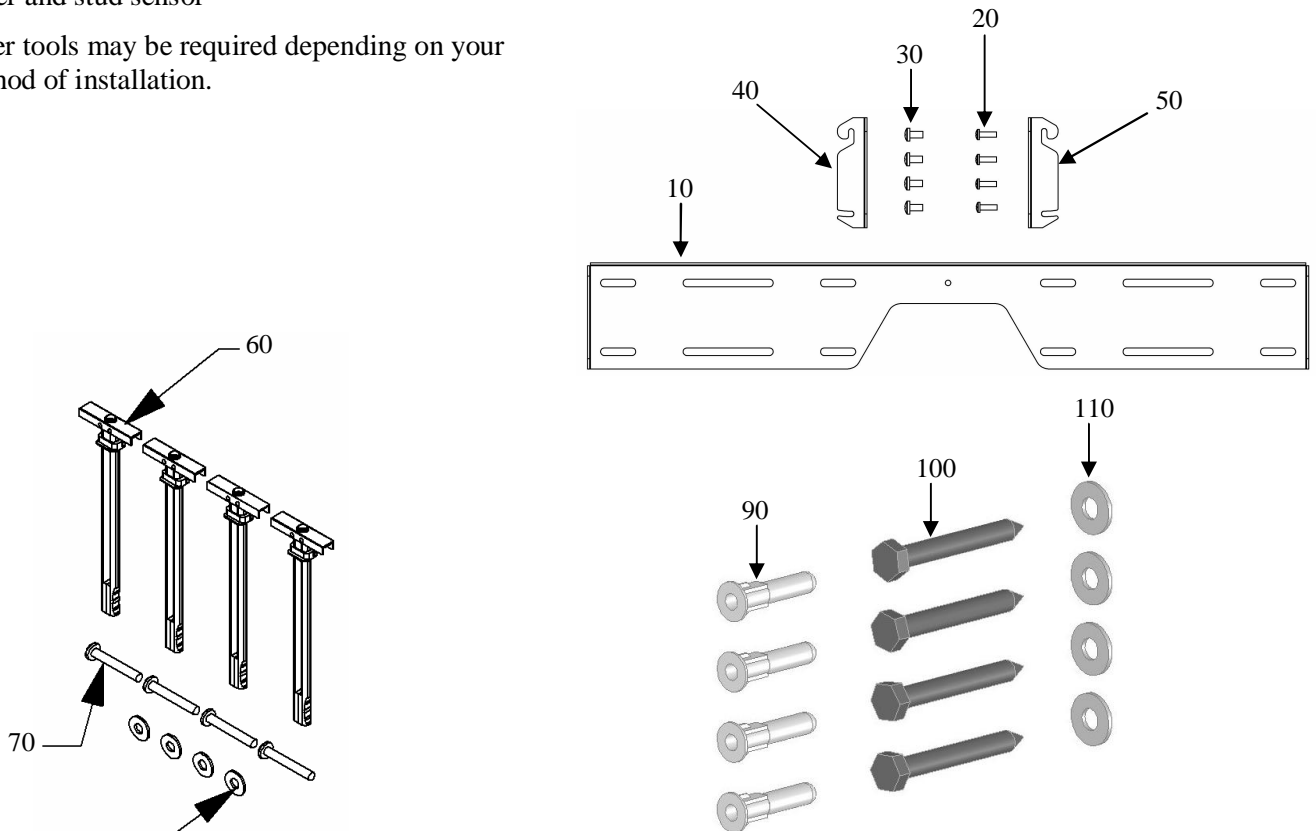


Figure 2. Parts

INSTALL WALL BRACKET

WARNING: It is the responsibility of the installer to verify that the wall to which the speaker wall bracket is anchored will safely support the combined load of all attached components and equipment.

NOTE: When selecting the mounting location, keep in mind the composition of the wall surface and the attaching hardware that you will need to mount the speaker bracket onto the wall.

Select one of the three options to install the wall bracket:

- Wood Stud Installation
- Steel Stud / Drywall Installation
- Concrete Installation

Wood Stud Installation

Install the wall bracket as follows:

1. Determine the exact mounting location to install the speaker bracket.

NOTE: Mount the wall bracket on dual wall studs or some other equivalent supporting framework.

2. Using a stud sensor, locate the two wood studs where you will mount the wall bracket, as follows:
 - Refer to Figure 3 for dual wood studs that are 16" apart on center.

OR

- Refer to Figure 4 for dual wood studs that are 24" apart on center.
3. Using a nail as a temporary hook, hang the wall bracket on the wall using the center hole (Figure 5).
 4. Select the pair of mounting holes that best suits your situation. For an illustration and more information, refer to Figure 6, Figure 7, and Figure 8 on page 5
 5. Use a pencil to mark the mounting holes where the four pilot holes will be drilled into the center of the wood stud. Make sure the mounting holes are square and straight. Remove the wall bracket from the wall, placing it on the floor or a table.
 6. Drill the pilot holes using the correct drill bit for the lag bolt size being used. For example: Use a 7/32" drill bit for 5/16" lag bolts.

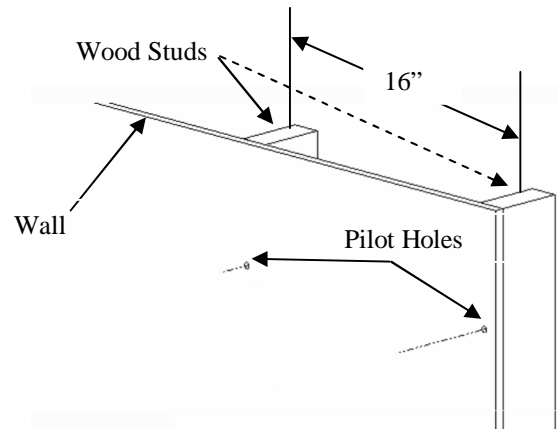


Figure 3. Wood Studs 16" Apart on Center

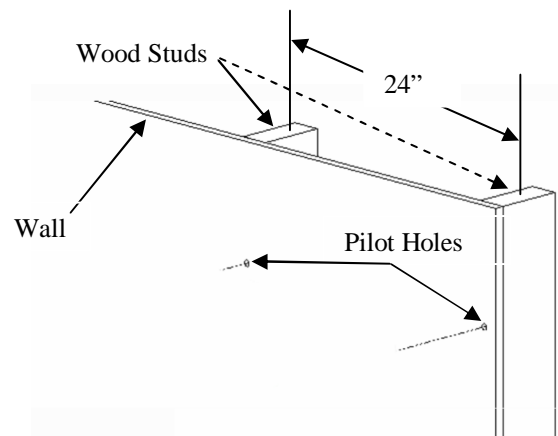
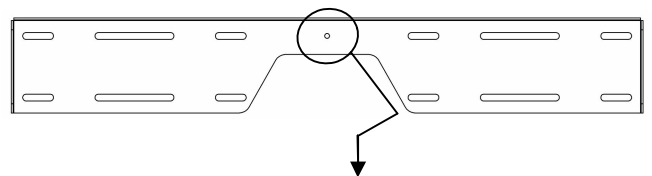


Figure 4. Wood Studs 24" Apart on Center



Hang the wall bracket on the wall temporarily using a nail in the center hole. Level the wall bracket before drilling pilot holes.

Figure 5. Use Center Hole to Hang the Wall Bracket

INSTALL WALL BRACKET (Cont'd)

Wood Stud Installation (Cont'd)

To mount the wall bracket, do the following:

7. Install the lag bolts and washers into the pilot holes previously drilled, as described below.

NOTE: The mounting holes are slotted to allow for a small degree of lateral movement. The mount can be centered, or shifted to the left of center, or right of center depending on stud location.

NOTE: The lag bolts must be driven into the support wall studs or other supporting framework.

- **Option A.** Install four 5/16" x 2-1/2" lag bolts and four washers (two top and two bottom) into the mounting holes, centering the wall bracket on dual wood studs 16" apart on center as shown in Figure 6.

OR

- **Option B.** Install four 5/16" x 2-1/2" lag bolts and four washers (two top and two bottom) into the mounting holes that are *right of center* on dual wood studs 16" apart as shown in Figure 7.

OR

- **Option C.** Install four 5/16" x 2-1/2" lag bolts and four washers (two top and two bottom) into the mounting holes that are *left of center* on dual wood studs 16" apart on center as shown in Figure 7.

OR

- **Option D.** Install four 5/16" x 2-1/2" lag bolts and four washers (two top and two bottom) into the mounting holes, centering the wall bracket on dual wood studs 24" apart on center as shown in Figure 8.

8. Tighten the lag bolts.

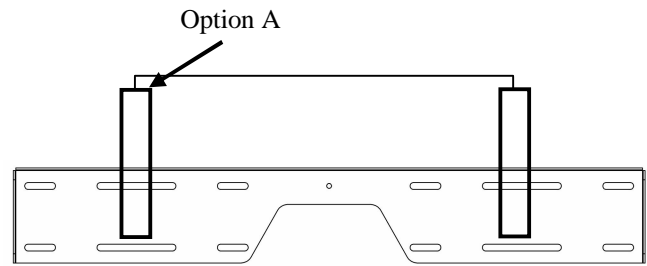


Figure 6. Mounting Holes – 16" Apart on Center (Option A)

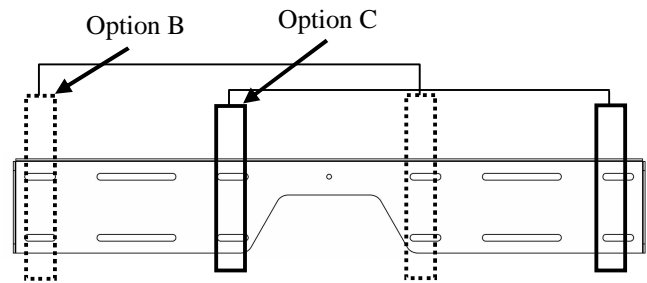


Figure 7. Mounting Holes – 16" Apart on Center (Options B and C)

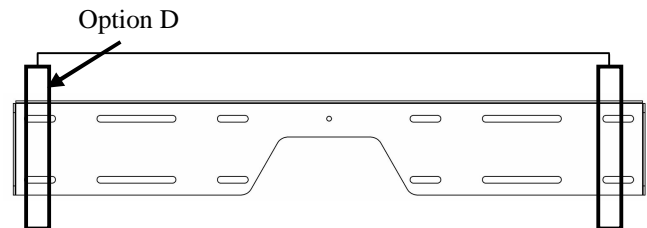


Figure 8. Mounting Holes – 24" Apart On Center (Option D)

INSTALL WALL BRACKET (Cont'd)

Steel Stud / Drywall Installation

To mount the wall bracket onto a wall having steel wall studs or a wall made of drywall, do the following:

1. Using the wall bracket (10) as a template at the desired mounting location, mark the location of the four mounting holes that you select to mount the wall bracket on the wall. Make sure the wall is at least 1/2" thick (see Figure 11).
2. Drill four 1/2" holes (see Figure 10) into the wall at the points marked (see Step 1 for reference) to mount the wall bracket (10). If the wall is made with metal studs, it is recommended to install the anchor through the drywall and the metal stud.
3. Slide finger grip of the anchor (60) together. Insert the anchor into a drilled hole (see Figure 10). Turn end of anchor perpendicular to wall as shown in Figure 11.
4. Slide plastic ring of anchor to the surface of the wall (see Figure 12).
5. Split finger grip ends apart in order to break plastic ends off flush with plastic ring of anchor (see Figure 13).
6. Repeat steps 3, 4, and 5 to install the remaining three anchors.
7. Using the 1/4-20 Phillips head screws (70) and flat washers (80), secure the wall bracket (10) to the wall. See Figure 9.

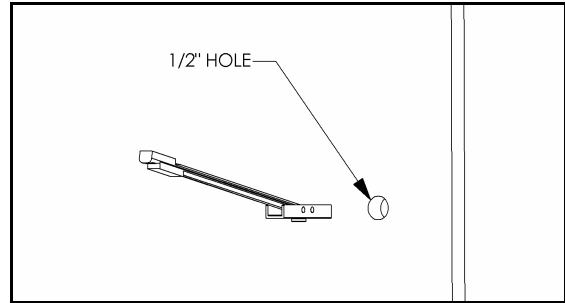


Figure 10. Drill 1/2" Hole

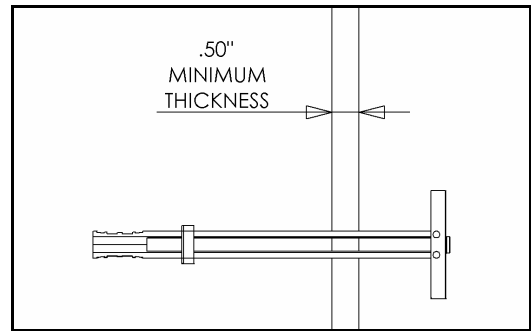


Figure 11. Insert Anchor into Hole

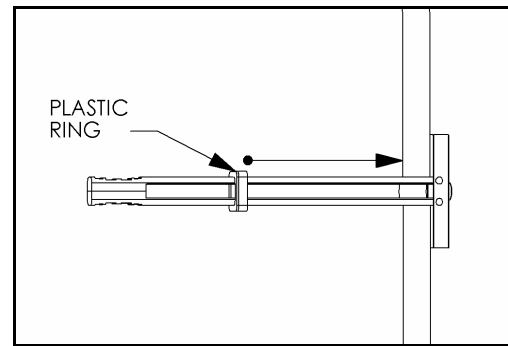


Figure 12. Slide Plastic Ring to Wall Surface

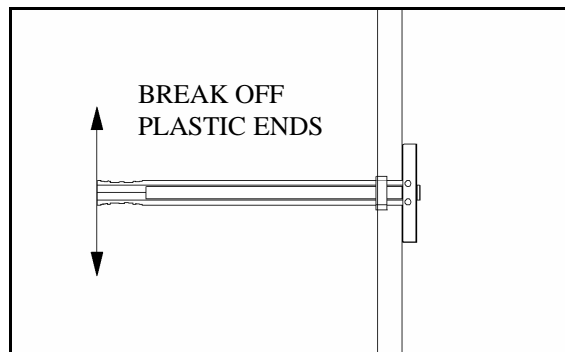


Figure 13. Break Off the Ends of Anchor

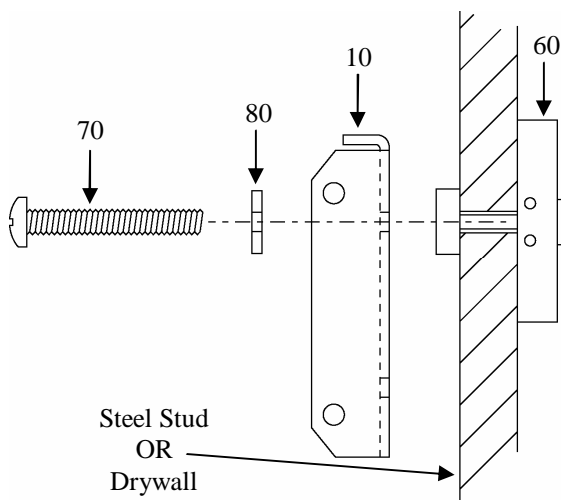


Figure 9. Mount the Speaker Wall Bracket

INSTALL WALL BRACKET (Cont'd)

Concrete Wall Installation

To mount the wall bracket onto the concrete wall, do the following:

1. Using the wall bracket (10) as a template at the desired mounting location, mark the location of the four mounting holes that you select to mount the wall bracket (see Figure 14) on the wall.
2. Draw a level plumb line at the desired height of the mount.
3. Using a 7/32" concrete drill bit, drill four holes at least 1-3/4" deep into the concrete wall surface at the marked locations (see Figure 15).
4. Install four alligator toggle anchors (90) into the pre-drilled holes.
5. Secure the wall bracket (10) to the concrete wall using the four 5/16" lag bolts (100) with four 5/16" flat washers (110).
6. Tighten the lag bolts.

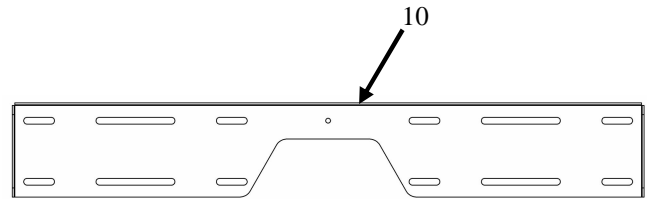


Figure 14. Select Mounting Holes for Concrete Wall Installation

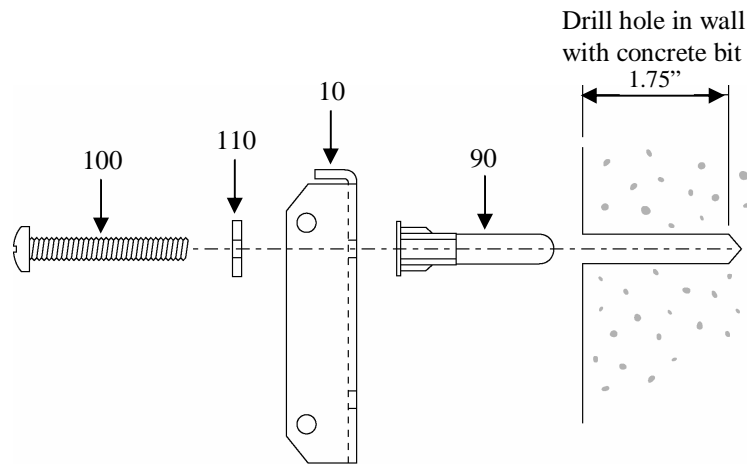


Figure 15. Mount the Speaker Wall Bracket

ATTACH SPEAKER BRACKETS TO SPEAKER

To attach speaker brackets to speaker, do the following:

NOTE: When attaching the speaker bracket, make sure that the hook point down and faces toward the inside of the speaker as shown in Figure 17.

1. Attach the speaker bracket (40) onto the left side of the speaker (not supplied) using the two M6 x 12mm screws (30) See Figure 16.
2. Attach the speaker bracket (50) onto the right side of the speaker (not supplied) using the two M6 x 12mm screws (30) See Figure 16.
3. Tighten the screws. Do not over-tighten the screws.

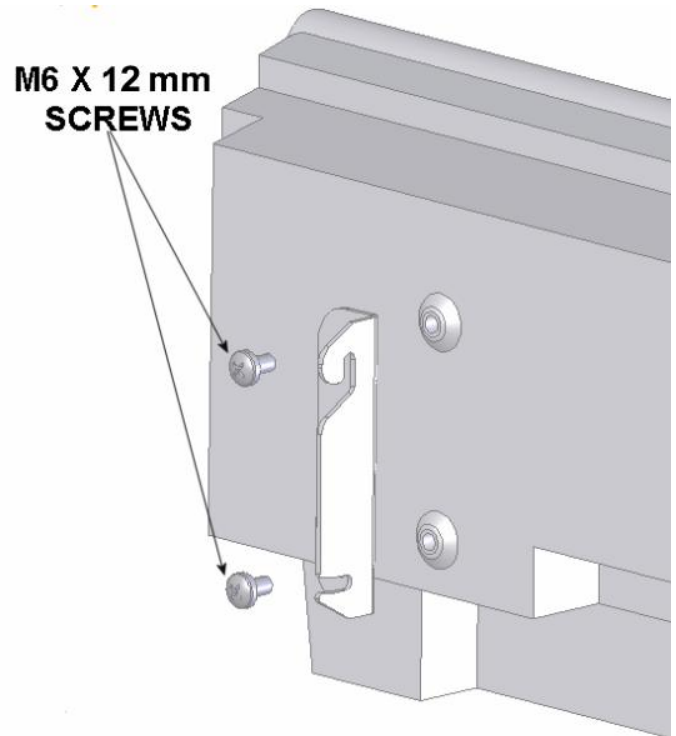


Figure 16. Attach Speaker Brackets to Speaker

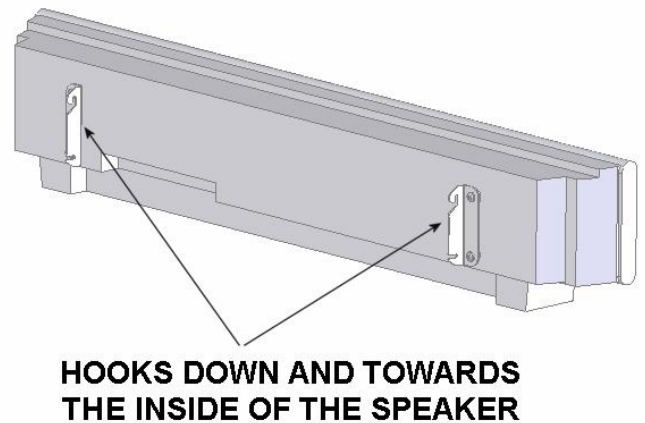


Figure 17. Speaker Bracket Placement on Speaker

CONNECT SPEAKER TO WALL BRACKET

To connect the speaker to the wall bracket, do the following:

NOTE: In Step 1, partially thread the screws into the wall bracket as shown in Figure 18. You will tighten the screws at the end of this procedure.

1. Insert four #10-24 screws (20) into the side of the wall bracket approximately 3/16" apart, two screws per side as shown in Figure 18.
2. Lift the speaker with the brackets attached up to the wall bracket.
3. Tip the top of the speaker gently towards the wall bracket to engage the slots onto the top screws (see Figure 19).
4. Swing the speaker down to engage the bottom slots onto the bottom screws (see Figure 20).
5. Tighten the two screws on each side to lock the speaker in place.

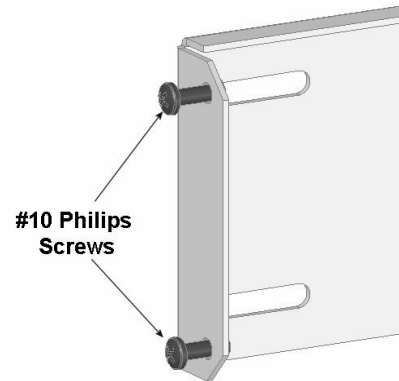


Figure 18. Install Screws into Wall Bracket

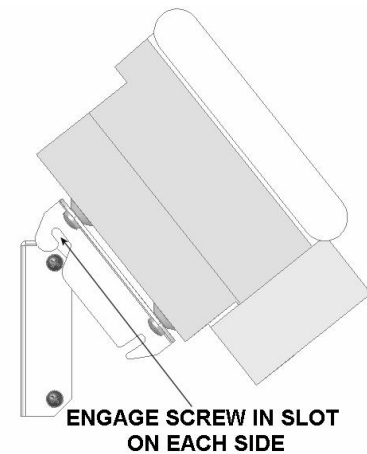


Figure 19. Engage Top of Speaker Bracket to Wall Bracket

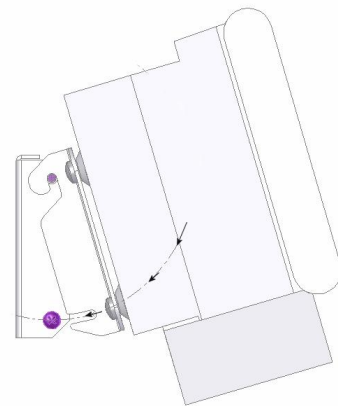


Figure 20. Connect Bottom of Speaker Bracket to Wall Bracket