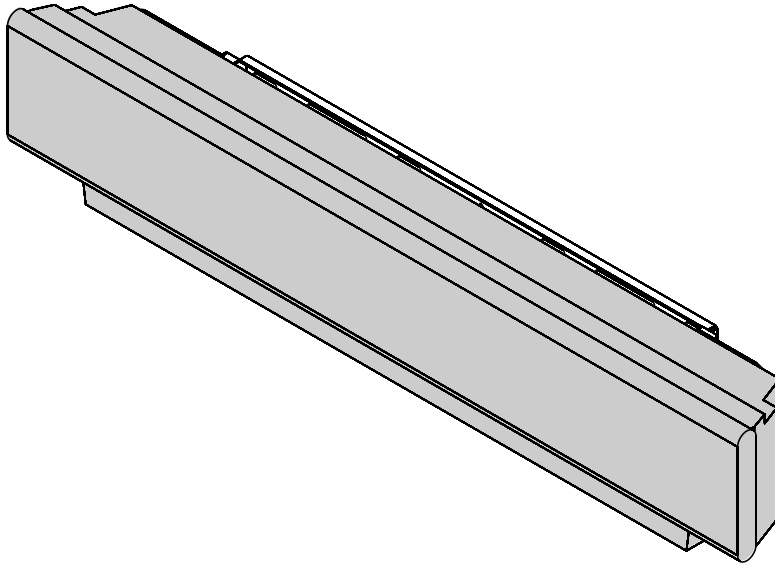

INSTALLATION INSTRUCTIONS



Wall Mount Speaker Bracket

DISCLAIMER

CSAV, Inc., and its affiliated corporations and subsidiaries (collectively, "CSAV"), intend to make this manual accurate and complete. However, CSAV makes no claim that the information contained herein covers all details, conditions or variations, nor does it provide for every possible contingency in connection with the installation or use of this product. The information contained in this document is subject to change without notice or obligation of any kind. CSAV makes no representation of warranty, expressed or implied, regarding the information contained herein. CSAV assumes no responsibility for accuracy, completeness or sufficiency of the information contained in this document.

IMPORTANT WARNINGS AND CAUTIONS!

WARNING: A WARNING alerts you to the possibility of serious injury or death if you do not follow the instructions.

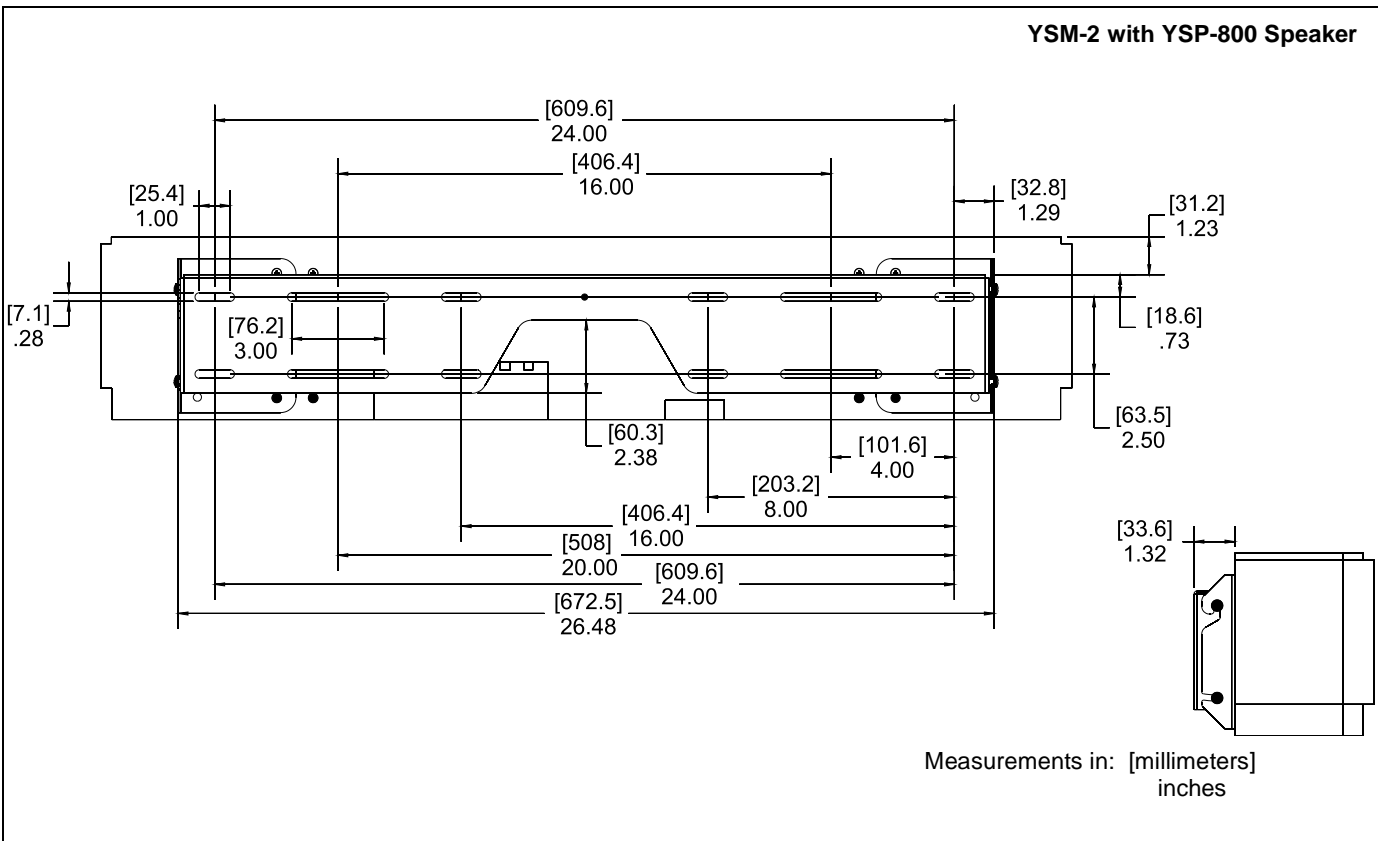
CAUTION: A CAUTION alerts you to the possibility of damage or destruction of equipment if you do not follow the corresponding instructions.

WARNING: Failure to read, thoroughly understand, and follow all instructions can result in serious personal injury, damage to equipment, or voiding of factory warranty! It is the installer's responsibility to make sure all components are properly assembled and installed using the instructions provided.

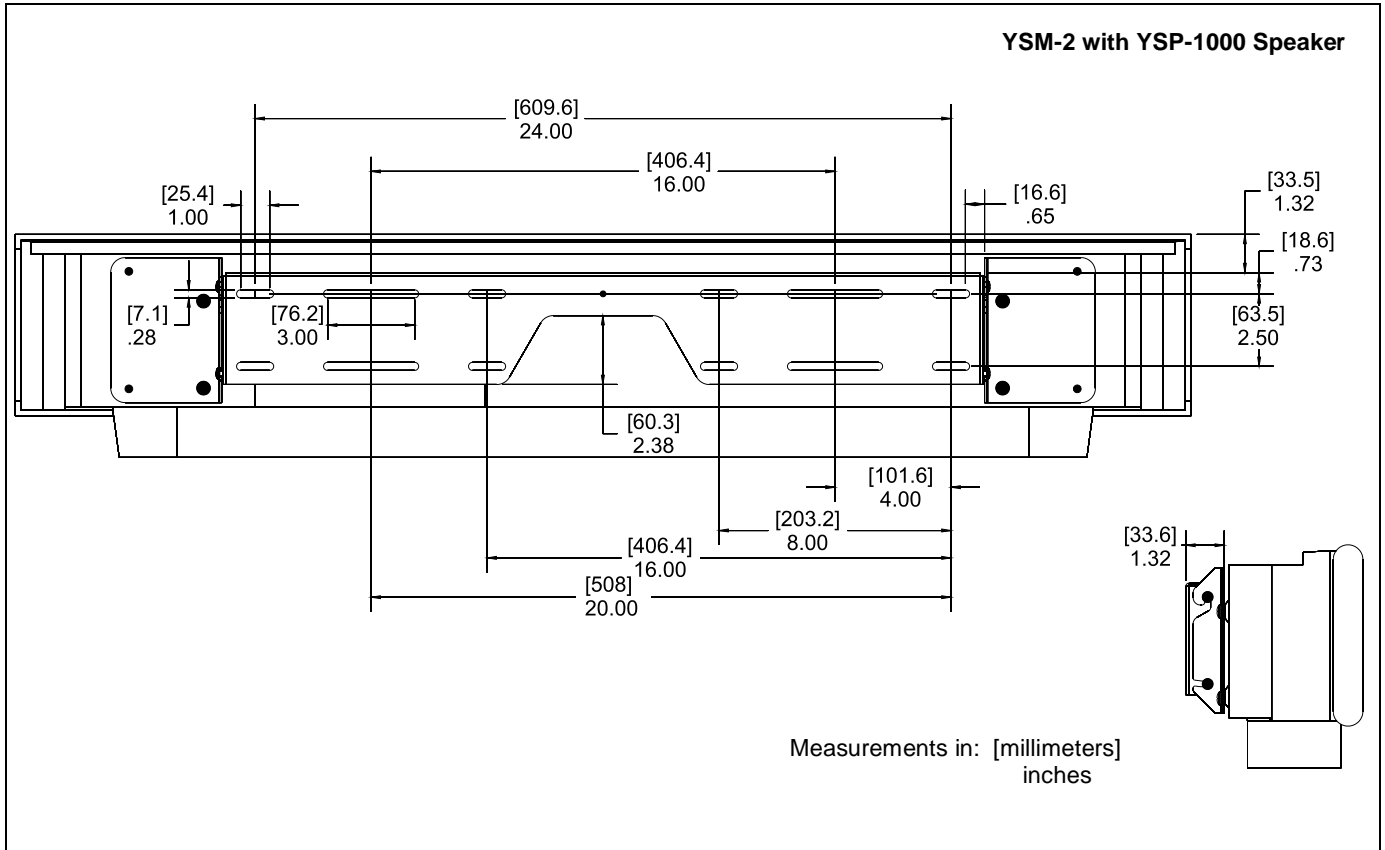
WARNING: Failure to provide adequate structural strength for this component can result in serious personal injury or damage to equipment! It is the installer's responsibility to make sure the structure to which this component is attached can support five times the combined weight of all equipment. Reinforce the structure as required before installing the component.

WARNING: Exceeding the weight capacity can result in serious personal injury or damage to equipment! It is the installer's responsibility to make sure the combined weight of all components attached to the YSM-2, including the speaker, does not exceed 30 lbs (13.61 kg).

DIMENSIONS



DIMENSIONS



LEGEND

	Tighten Fastener
	Apretar elemento de fijación
	Befestigungsteil festziehen
	Apertar fixador
	Serrare il fissaggio
	Bevestiging vastdraaien
	Serrez les fixations

	Loosen Fastener
	Aflojar elemento de fijación
	Befestigungsteil lösen
	Desapertar fixador
	Allentare il fissaggio
	Bevestiging losdraaien
	Desserrez les fixations

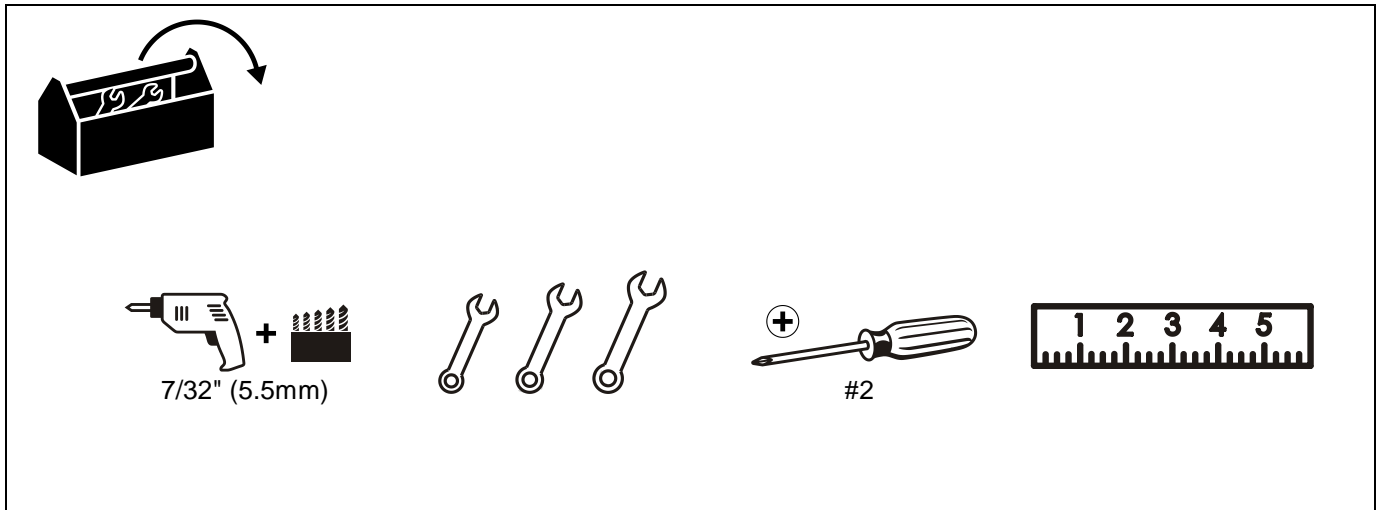
	Phillips Screwdriver
	Destornillador Phillips
	Kreuzschlitzschraubendreher
	Chave de fendas Phillips
	Cacciavite a stella
	Kruiskopschroevendraaier
Tournevis à pointe cruciforme	

	Pencil Mark
	Marcar con lápiz
	Stiftmarkierung
	Marcar com lápis
	Segno a matita
	Potloodmerkteken
Marquage au crayon	

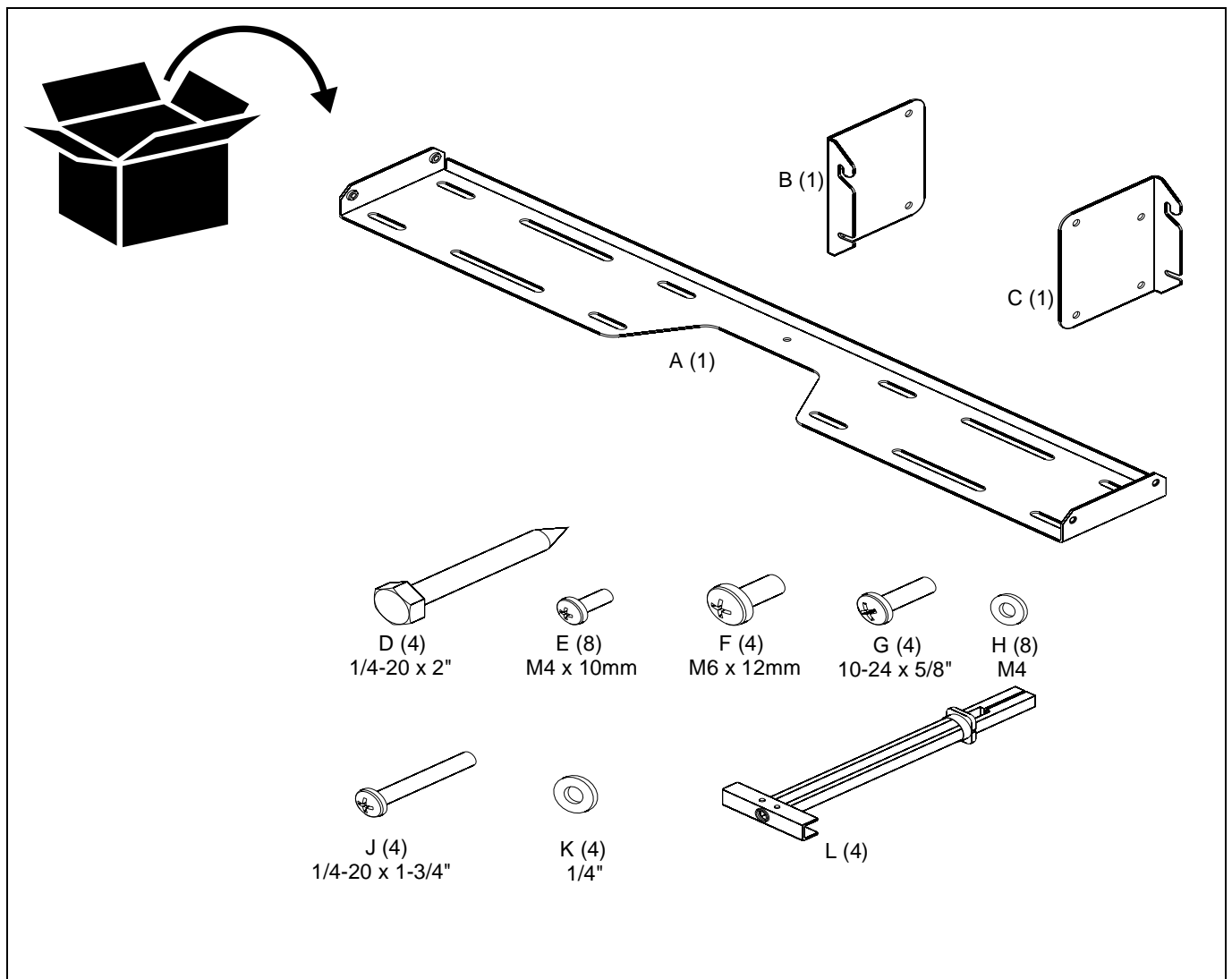
	Drill Hole
	Perforar
	Bohrloch
	Fazer furo
	Praticare un foro
	Gat boren
Percez un trou	

	Open-Ended Wrench
	Llave de boca
	Gabelschlüssel
	Chave de bocas
	Chiave a punte aperte
	Steeksleutel
Clé à fourche	

TOOLS REQUIRED FOR INSTALLATION



PARTS



INSTALLATION



WARNING: IMPROPER INSTALLATION CAN LEAD TO MOUNT FALLING CAUSING SEVERE PERSONAL INJURY OR DAMAGE TO EQUIPMENT! It is the installers responsibility to make certain the structure to which the mount is being attached is capable of supporting five times the weight of the YSM-2 and all attached equipment not to exceed 30 lbs (13.61 kg).

Installing Wall Bracket



WARNING: ELECTRICAL SHOCK HAZARD! CUTTING OR DRILLING INTO ELECTRICAL CORDS OR CABLES CAN CAUSE DEATH OR SERIOUS PERSONAL INJURY! ALWAYS make certain area behind mounting surface is free of electrical wires and cables before drilling or installing fasteners.



WARNING: EXPLOSION AND FIRE HAZARD! CUTTING OR DRILLING INTO GAS PLUMBING CAN CAUSE DEATH OR SERIOUS PERSONAL INJURY! ALWAYS make certain area behind mounting surface is free of gas, water, waste, or any other plumbing before cutting, drilling, or installing fasteners.

NOTE: Instructions are included for installing the YSM-2 in a wood stud wall or a steel stud wall application. Proceed to the appropriate section for further information.

Wood Stud Installation

1. Using a stud finder, locate and mark the two studs to which the YSM-2 will be installed.
2. Using a nail through the center hole of the wall bracket, temporarily hang the wall bracket on the wall at the install location. (See Figure 1)

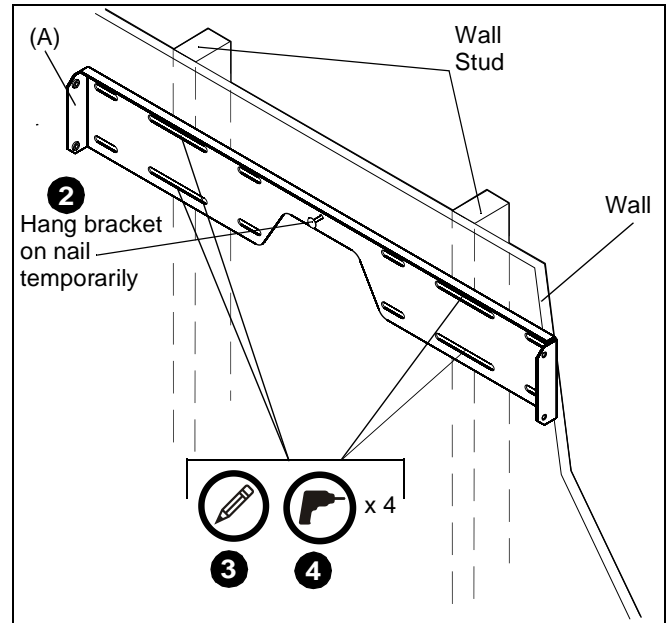


Figure 1

3. Mark the four mounting holes for pilot holes. (See Figure 1)
4. Drill four pilot holes in wall studs. (See Figure 1)
5. Fasten wall bracket to wall studs using four 1/4-20 x 2" lag screws (D) and four 1/4" flat washers (K). (See Figure 2)

NOTE: The wall bracket mounting slots allow a small amount of lateral movement. The wall bracket can be centered, or shifted left or right of center depending on wall stud location.

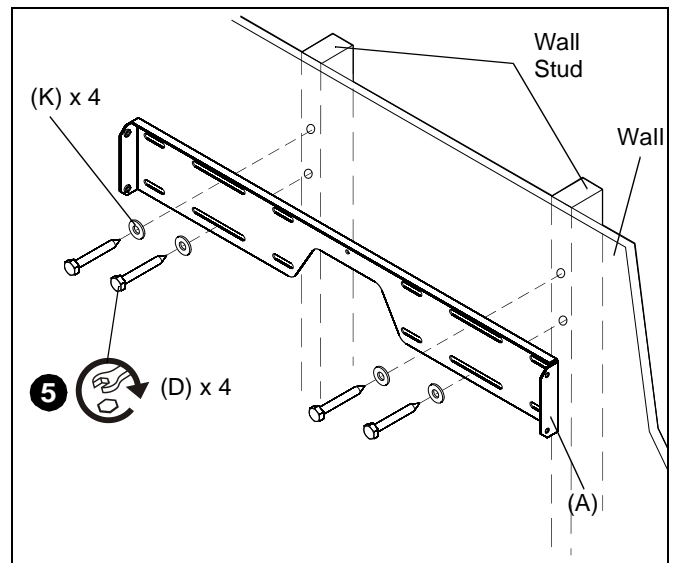


Figure 2

Steel Stud Installation - Site Requirements

⚠ WARNING: IMPROPER INSTALLATION CAN LEAD TO EQUIPMENT FALLING CAUSING SERIOUS PERSONAL INJURY OR DAMAGE TO EQUIPMENT! The figure below identifies the minimum requirements for installation of display mounts onto a steel stud structure. If the structure or its components do not meet these requirements contact the mount manufacturer for specific instructions before attempting installation. It should also be noted that no other equipment should be mounted to the same stud.

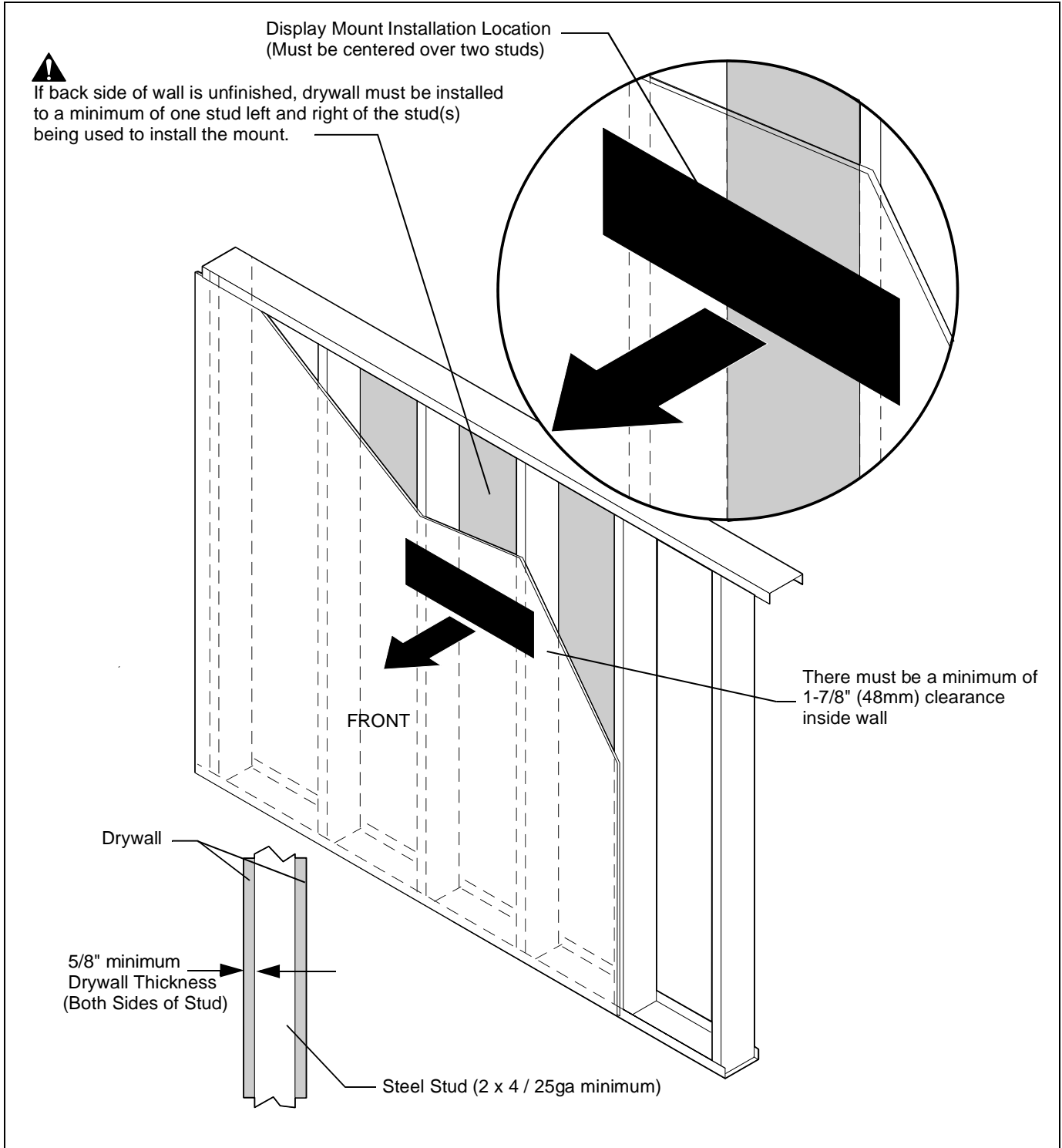


Figure 3

1. Using a stud finder, locate and mark the two studs to which the YSM-2 will be installed.
2. Using a nail through the center hole of the wall bracket (A), temporarily hang the wall bracket on the wall at the install location. (See Figure 1)
3. Align mounting holes in wall bracket (A) with studs.
4. Mark location of four mounting holes on wall. (See Figure 1)
5. Drill four pilot holes. (See Figure 1)

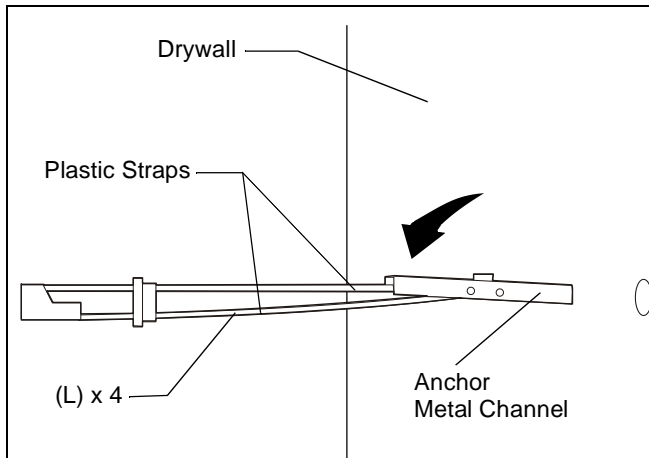


Figure 4

6. Hold metal channel on anchor (L) flat along side plastic strips and slide channel through hole. (See Figure 4)
7. Holding plastic straps on anchor (L), pull anchor away from wall until channel rests flush behind wall making sure anchor channel is positioned vertically on stud as shown following figures. (See Figure 5)

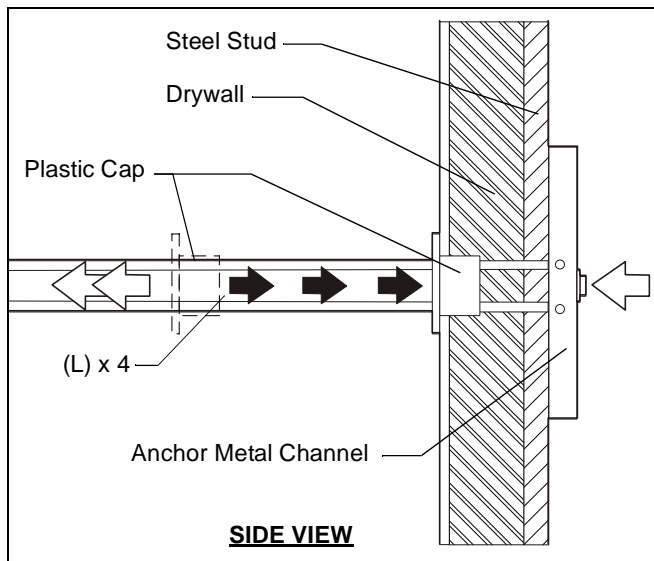


Figure 5

8. Slide plastic cap on anchor (L) towards wall until cap flange is flush with wall. (See Figure 5)

9. Snap off plastic straps on anchor at wall by pushing side to side, snapping off straps level with flange of plastic cap. (See Figure 6)

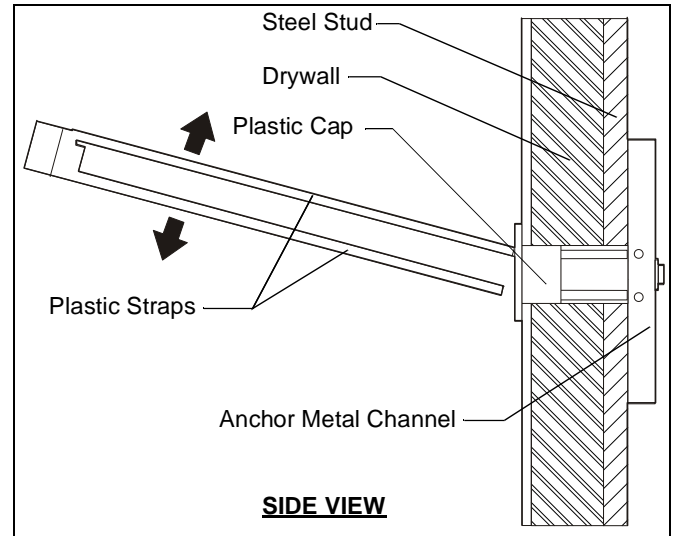


Figure 6

10. Repeat Steps 6 through 9 for each mounting hole.
11. Place wall bracket (A) over anchors and align mounting holes in wall bracket with holes in anchors. (See Figure 7)
12. Place four flat washers (K) onto four 1/4-20 x 1-3/4" Phillips pan head screws (J).
13. Insert Phillips pan head screws (J) with flat washer (K) through mounting holes in wall bracket and into anchor (L) and tighten until flush against wall bracket. DO NOT overtighten!



WARNING: IMPROPER INSTALLATION CAN LEAD TO EQUIPMENT FALLING CAUSING SERIOUS PERSONAL INJURY OR DAMAMGE TO EQUIPMENT! Overtightening mounting hardware can damage the steel studs. DO NOT

overtighten mounting hardware!

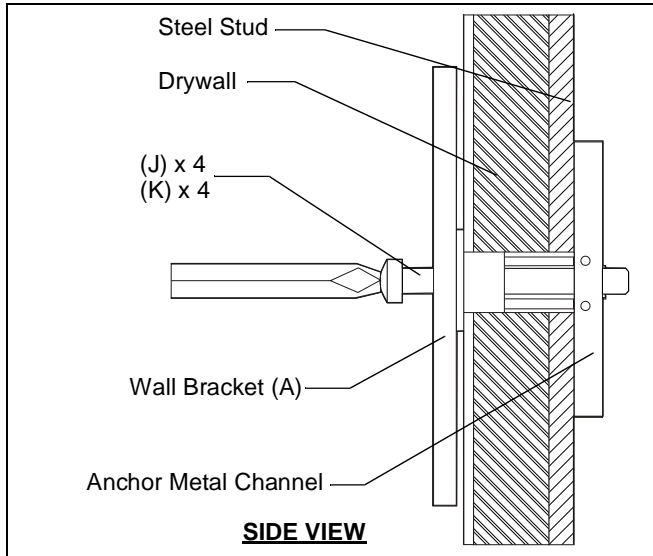


Figure 7

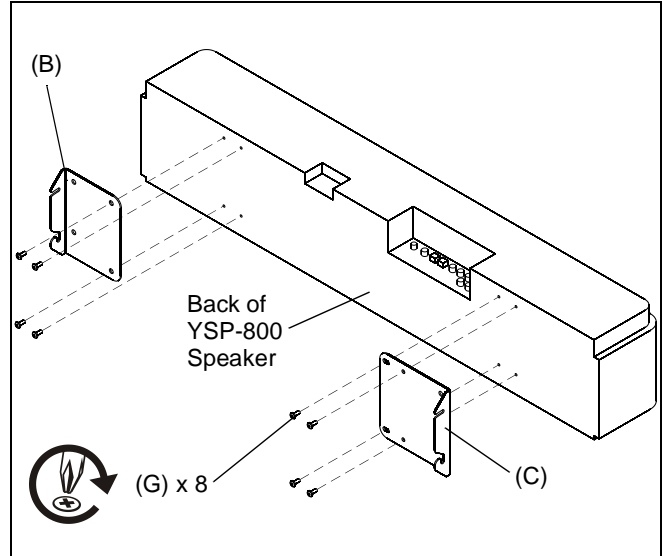


Figure 9

Attaching End Brackets to Speaker

YSP-1000 Speakers

NOTE: Ensure that hook on speaker brackets (B and C) point down and face inside of speaker. (See Figure 8)

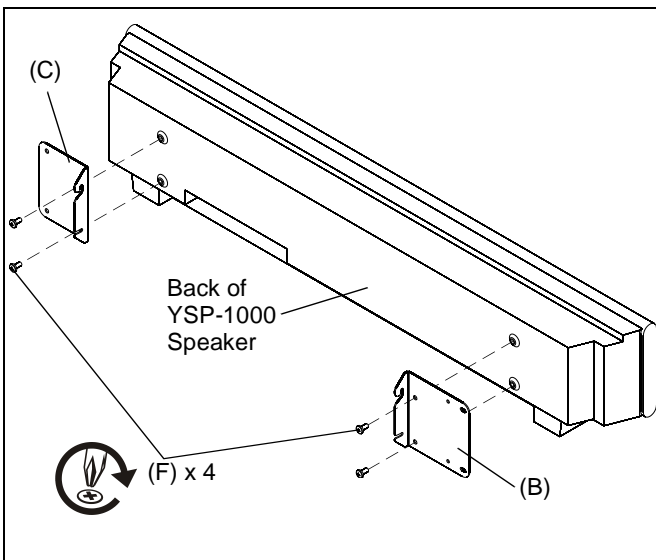


Figure 8

1. Attach speaker brackets to left and right side of speaker, using two M6 x 12mm Phillips screws (F) on each bracket. (See Figure 8)
2. Proceed to **Connecting Speaker to Wall Bracket**.

YSP-800 Speakers

NOTE: Ensure that hook on speaker brackets (B and C) point down and face outside of speaker. (See Figure 9)

1. Attach speaker brackets to left and right side of speaker, using four M4 x 10mm Phillips screws (E) on each bracket. (See Figure 9)

Connecting Speaker to Wall Bracket

1. Insert four 10-24 x 5/8" Phillips screws (G) into the sides of the wall bracket (A) and partially thread them into the holes. (See Figure 10).

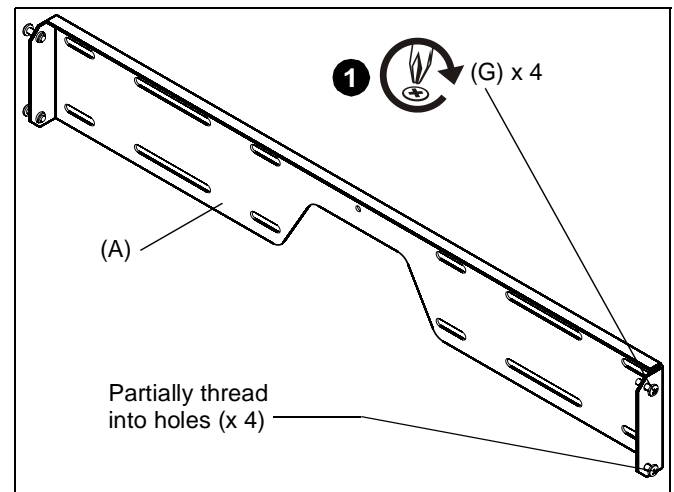


Figure 10

2. Lift speaker and tip towards wall bracket, engaging the speaker bracket (B and C) top slots over the wall bracket top screws. (See Figure 10)
3. Swing the speaker down, engaging speaker bracket bottom slots over wall bracket bottom screws. (See Figure 10)
4. Tighten two Phillips screws on each side.

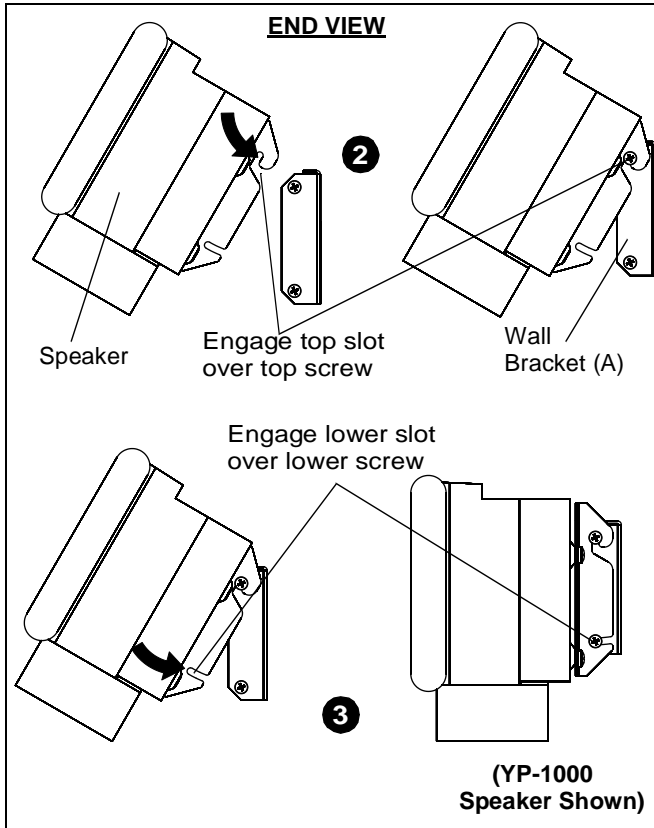


Figure 11



8800-000064
©2007 Chief Manufacturing
www.chiefmfg.com
05/07

USA/International	A 8401 Eagle Creek Parkway, Savage, MN 55378 P 800.582.6480 / 952.894.6280 F 877.894.6918 / 952.894.6918
Europe	A Fellenoord 130 5611 ZB EINDHOVEN, The Netherlands P +31 (0)40 2668620 F +31 (0)40 2668615
Asia Pacific	A Room 30I, Block D, Lily YinDu International Building LuoGang, BuJi Town, Shenzhen, CHINA. Post Code: 518112 深圳市布吉罗岗百合银都国际大厦D栋30I P +86-755-8996 9226 ; 8996 9236 ; 8996 9220 F +86-755-8996 9217